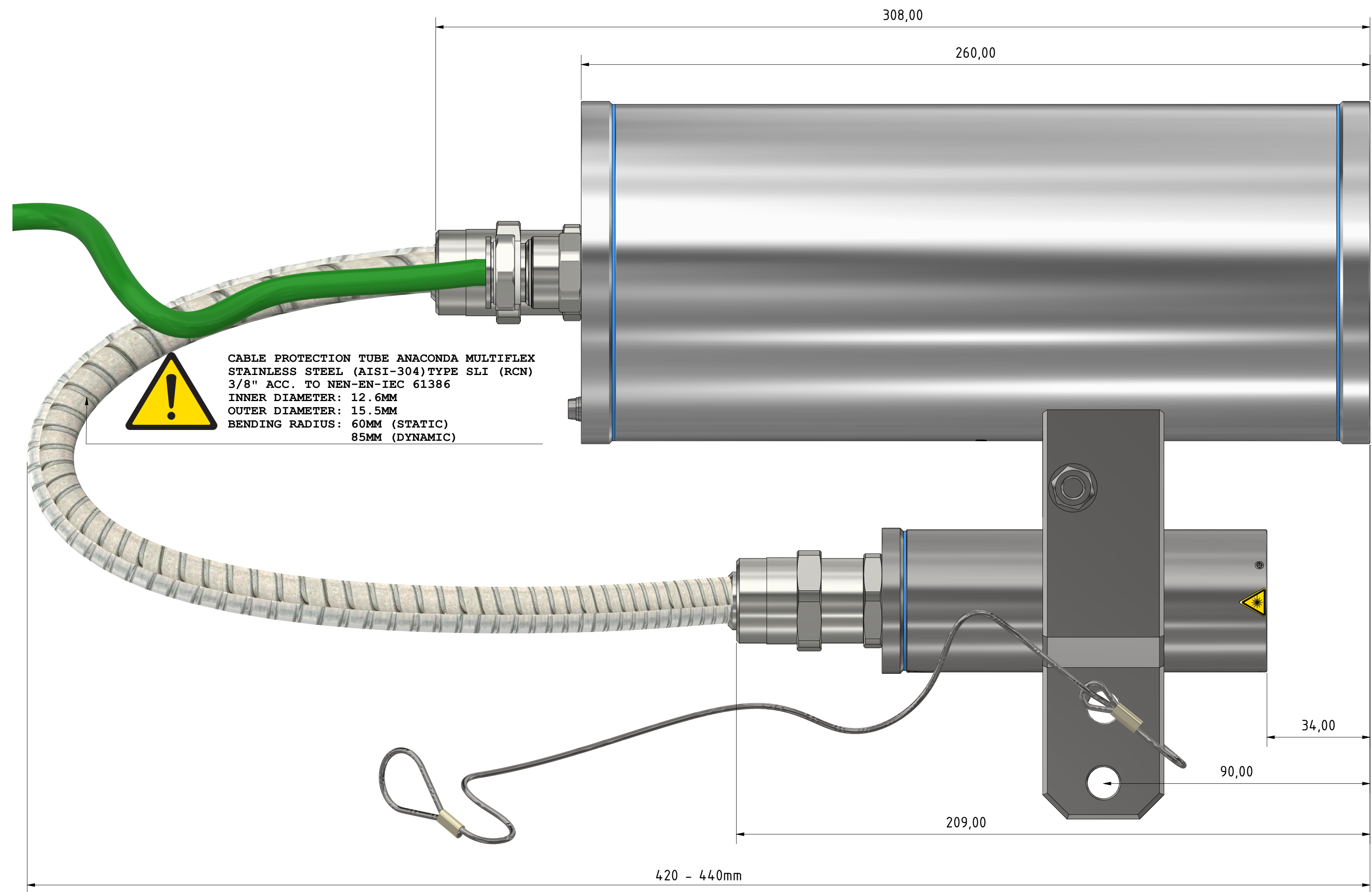
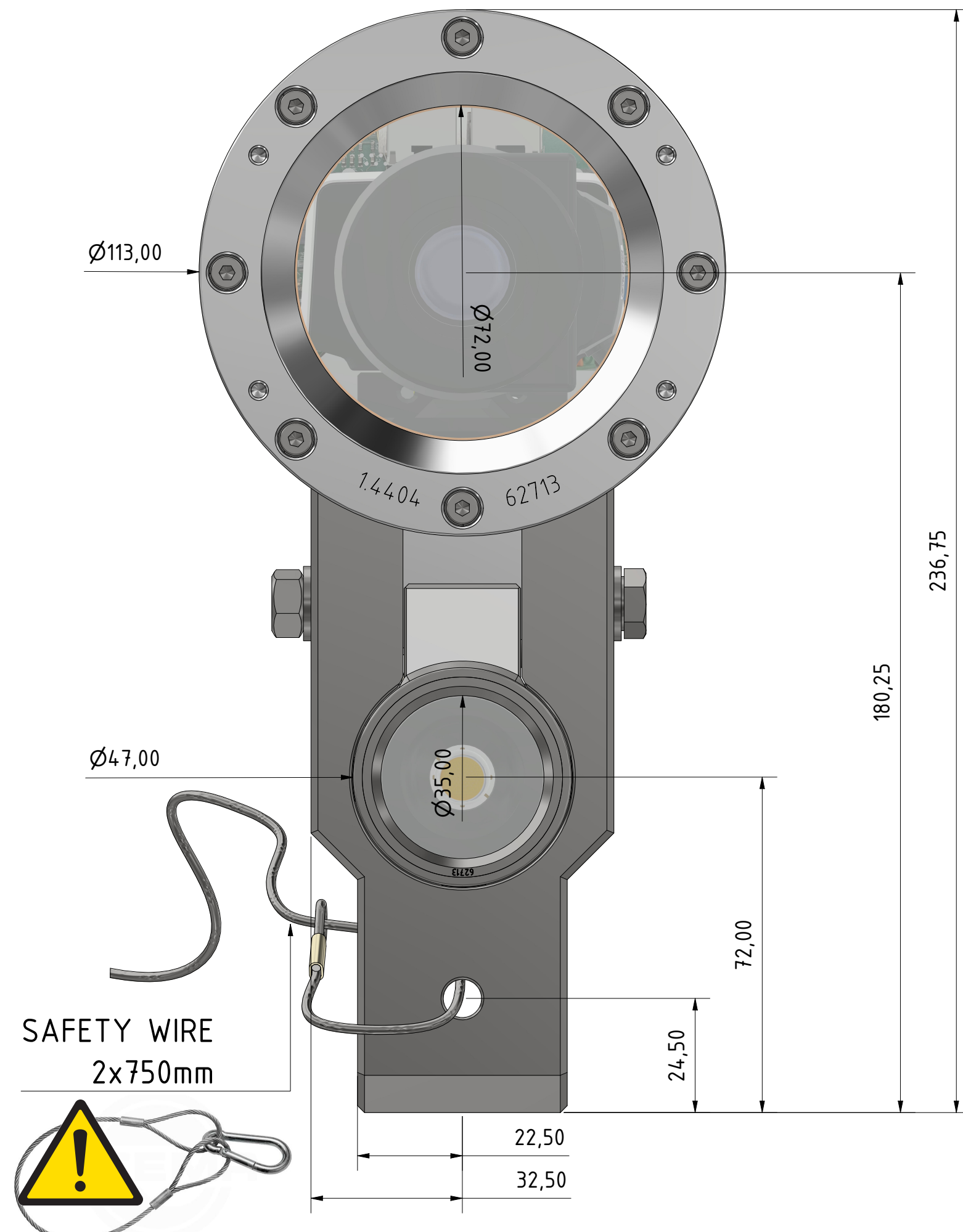
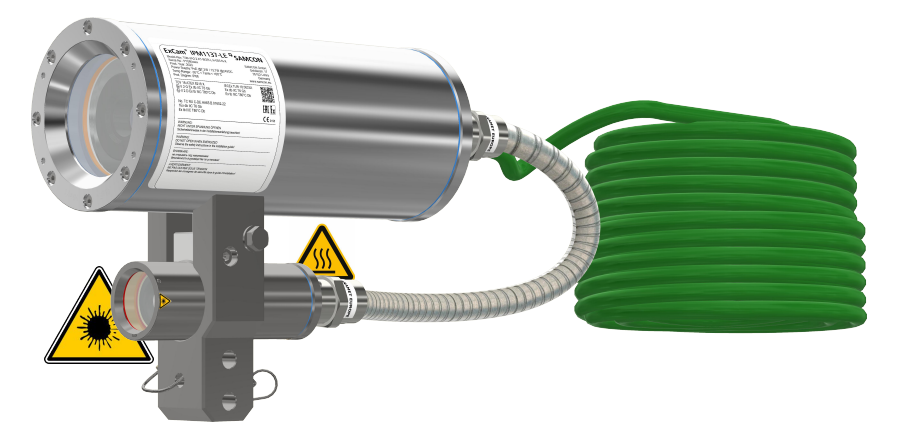
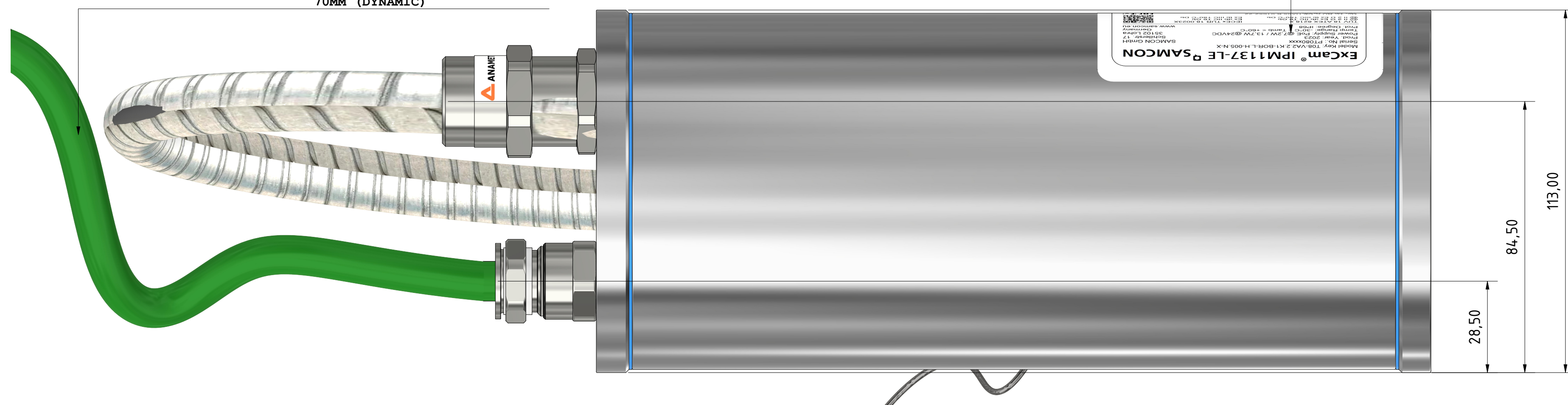


# DRAWINGS EXCAM IPM1137-LE-WL(IR)



**SKD02-T SAMCON SYSTEM CABLE DIGITAL, PUR FHF**  
 RAL 6019, AWG 23/1, -60°C...+80°C  
 ACC. TO IEC 60079-14  
 OUTER DIAMETER: 8.9MM  
 BENDING RADIUS: 35MM (STATIC)  
 70MM (DYNAMIC)

**ATEX/IECEx TYPE LABEL**



DRAWN	Thiemo Gruber	30.05.2023	 Prozessleittechnik GmbH	7960g
CHECKED				
QA			TITLE <b>TECHNICAL DRAWING</b> <b>EXCAM IPM1137-LE-WL(IR)</b>	
MFG			SIZE D	DWG NO 230530-ET08IPM1137_LE_XX-TECHNISCHE ZEICHNUNG_rev.01
APPROVED			SCALE 1	REV 01
REVISION		15.11.2023	SCALE 1	SHEET 1 OF 1