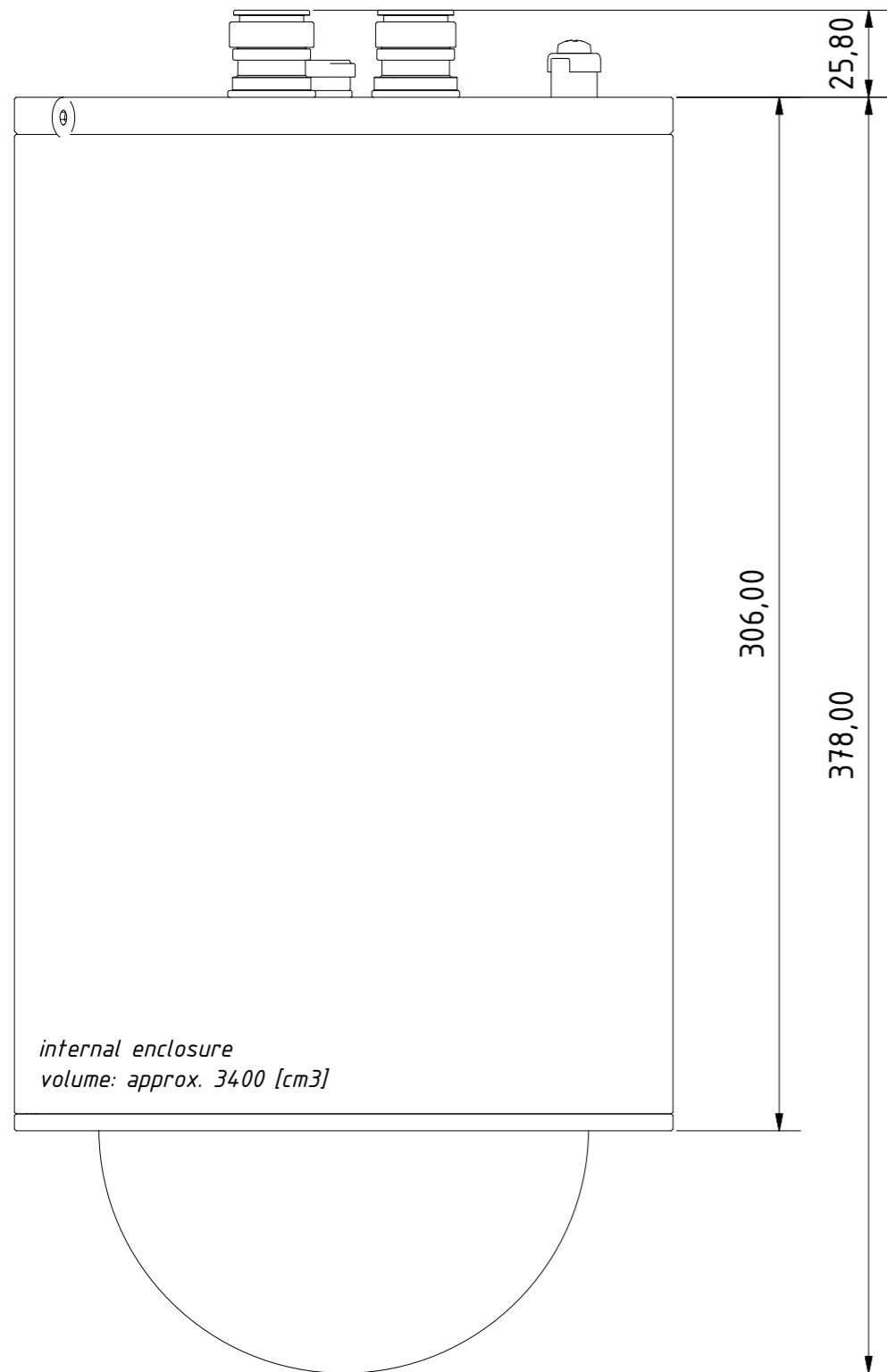


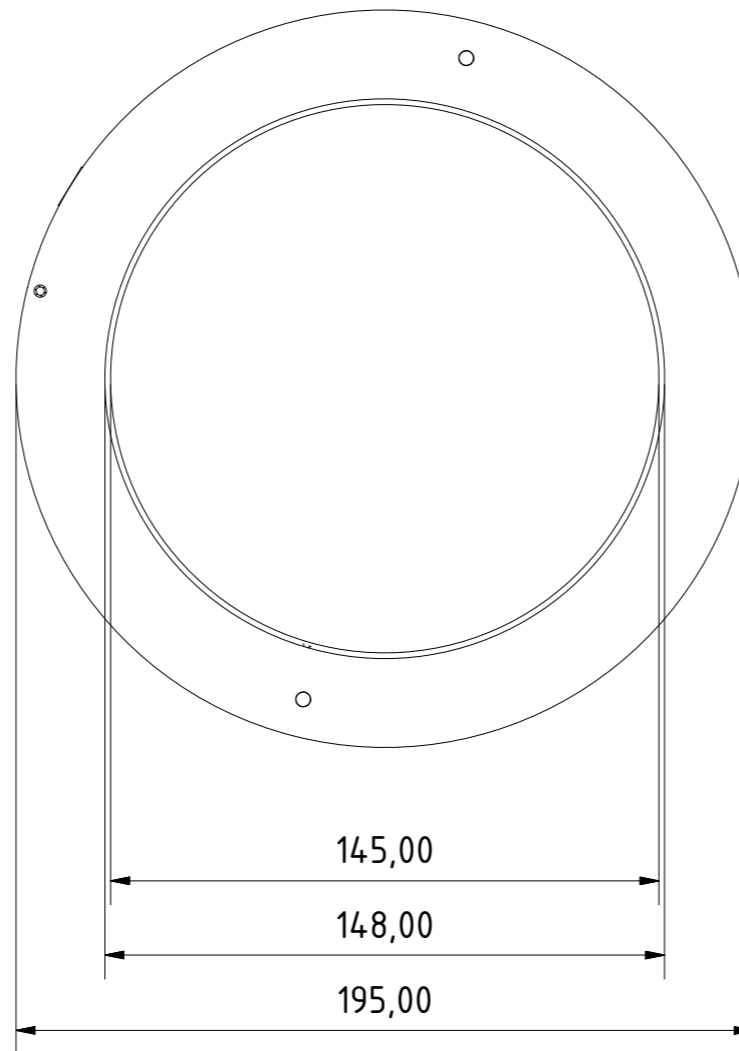
T08 ExCam TNXCD enclosure (Ex d according to IEC 60079-1:2007)

- external dimensions -

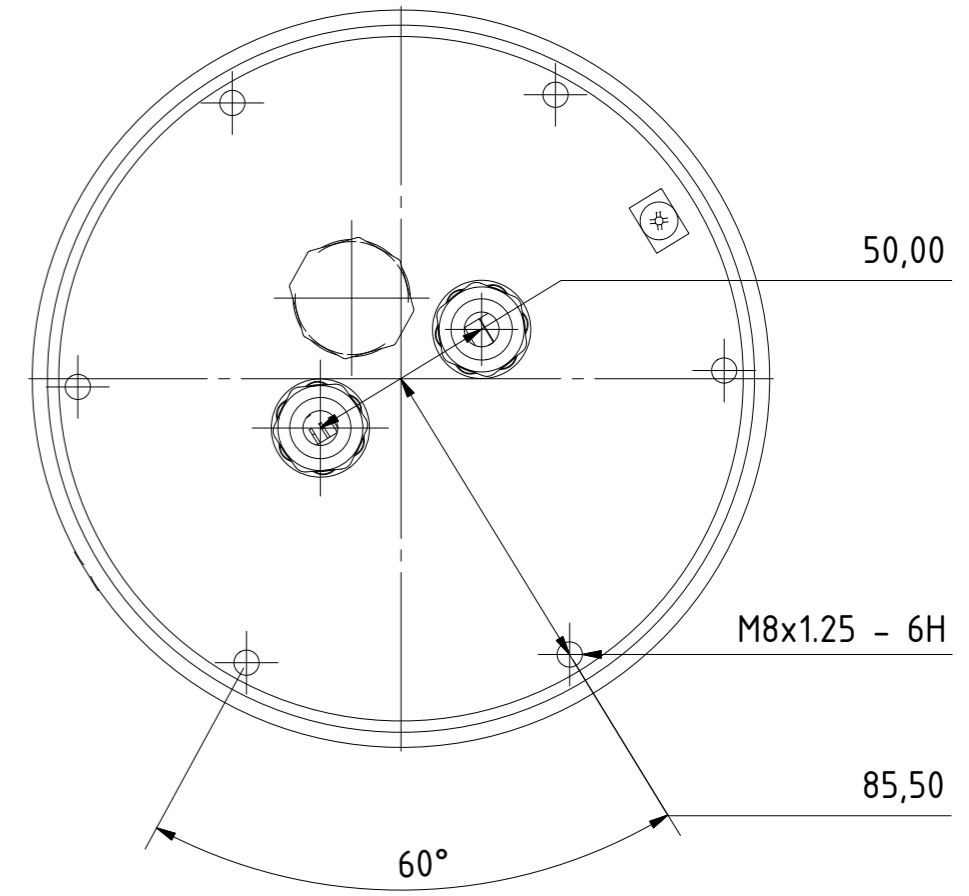
front view



bottom view



top view



certification  
TÜV 14 ATEX 7539 X\_1st supplement  
IECEX TUR 14.0026X issue No.1

(application) customer documentation, system design engineer		(perm. deviation) ISO 2768-1 tolerance class: f ISO 2768-2 tolerance class H	(surface) mean roughness Ra (ISO 468) ≤ n.a.	scale 1:2	weight(bto.): 15500g
				(materials) Stainless Steel (DIN EN 10020): 1.4404 (X2CrNiMo17-12-2), AISI 316L (V4A) additional: polycarbonate (PC) 943A/ LEXAN, potting compound, NBR 70, FKM, VMQ (silicone), spring steel zinc plated, nickel-plated brass, aluminum (AlMgSi3/ AlMgSi7)	
				(designation) ExCam IPQ6045 hardware rev.: 01 (MK2-model) ExCam IPQ6045 T08-TNXCD-C-XXX-X-XX (without external equipment)	
				(drawing-ID) Doc.-ID: ExCam IP6045 shapes_(external dimensions without equipment).idw	1 A3
Status	Änderungen	Datum	Name		

**SAMCON**  
Prozessleittechnik GmbH

ISO view  
top right ( 1 : 1.5 )



ISO view  
bottom left ( 1 : 1.5 )



(application) customer documentation, system design engineer		(perm. deviation) ISO 2768-1 tolerance class: f ISO 2768-2 tolerance class H	(surface) mean roughness Ra (ISO 468) ± n.a.	scale 1:2 (materials) Stainless Steel (DIN EN 10020): 1.4404 (X2CrNiMo17-12-2), AISI 316L (V4A) additional: polycarbonate (PC) 963A/ LEXAN, potting compound, NBR 70, FKM, VMD (silicone), spring steel zinc plated, nickel-plated brass, aluminum (AlMgSi3/ AlMgSi7)	weight(bto.): 15500g
		Datum	Name	(designation)	
		Gezeichnet	19.05.2015	T.Gruber	ExCam IP06045
		Kontrolliert			hardware rev.: 01 (MK2-model)
		Norm	DIN 13-6 <small>(Metric ISO fine thread)</small>		ExCam IP06045 T08-TNXCD-C-XXX-X-XX (without external equipment)
				(drawing-ID)	
				Doc.-ID: ExCam IP6045 shapes_external dimensions without equipment).idw	2
					A2
Status	Änderungen	Datum	Name		

