



SAMCON

Prozessleittechnik GmbH

Assembly instruction

product: Clamp mounting for WMB-VA2.3
author: S. Weber
date: Dec. 16, 2020
doc ID: 201216-PZUMA-SW-clamp mounting
WMB-VA2.3_assembly instruction_rev.01.idw
passing:



INTRO



What you need:	
Allen wrench	8 mm
Wrench	18 mm
Torgue wrench	8 + 18 mm

ATTENTION:
Please be careful when
working at heights !

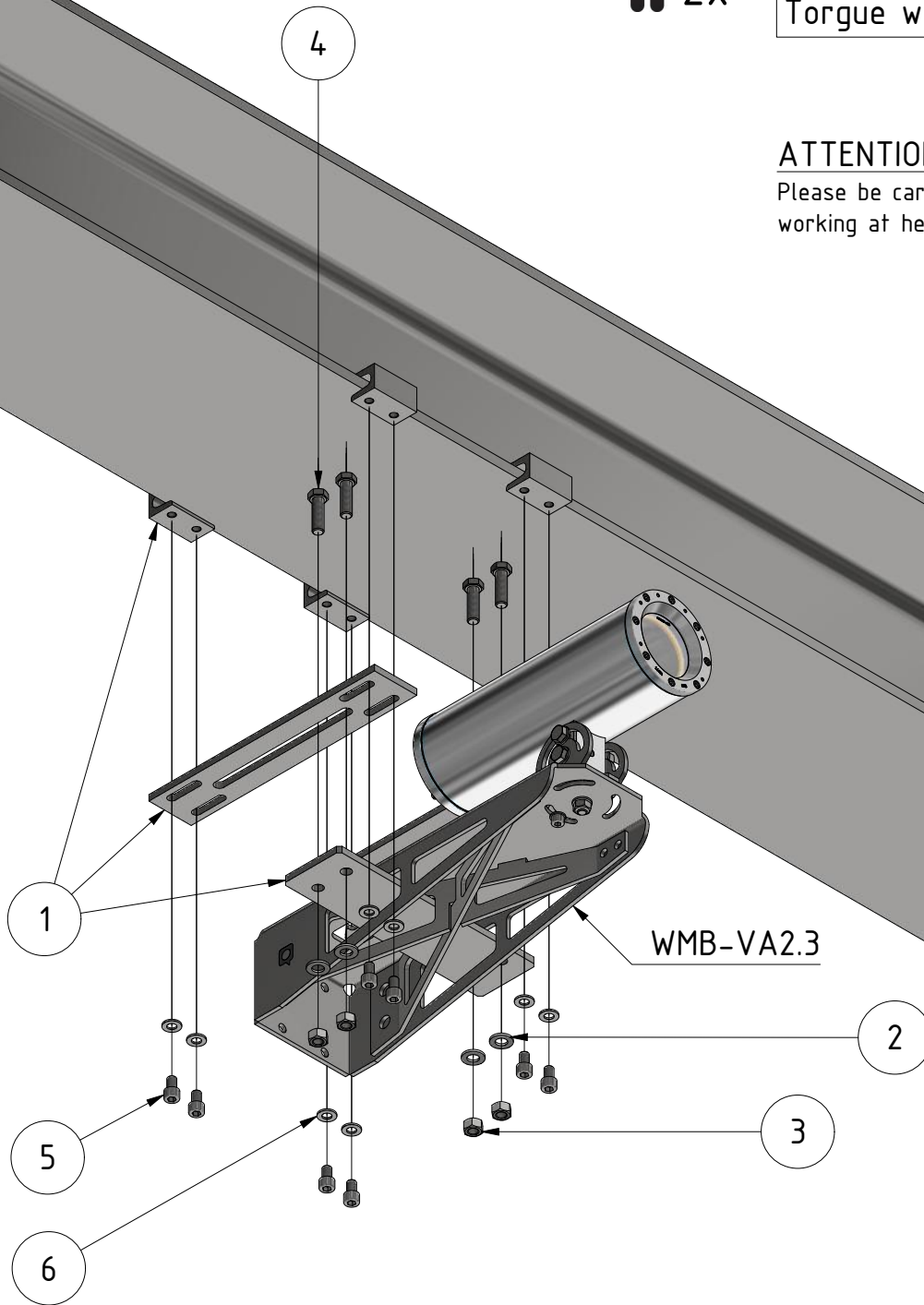
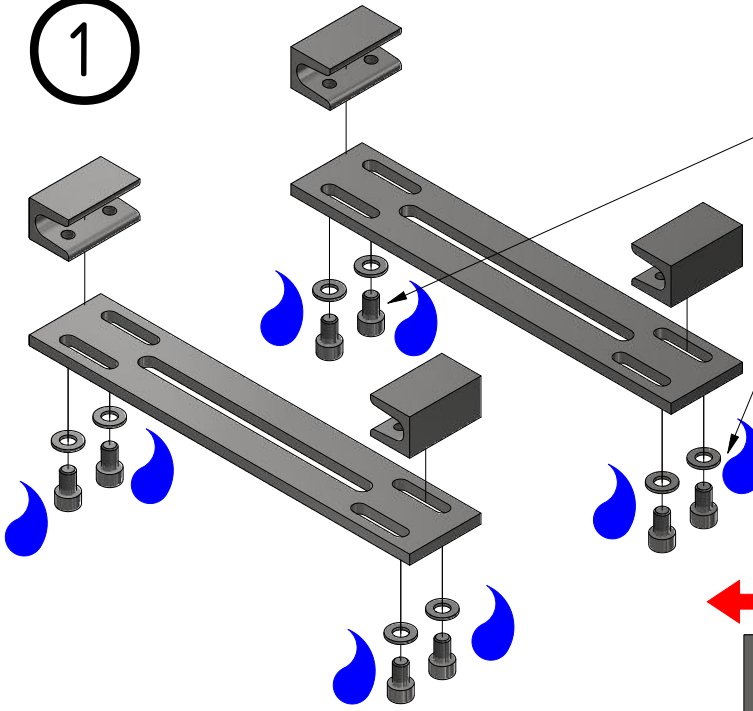


Table of content

obj.	qty.	part	material
1	1	clamp mounting WMB-VA2.3	Stainless steel
2	4	washer DIN 125 - A 13	Stainless steel
3	4	Nut ISO 4032 - M12	stainless steel
4	4	Threaded bolt ISO 4017 - M12 x 40	stainless steel
5	8	Treaded bolt DIN 912 - M10 x 16	stainless steel
6	8	Washer DIN 125 - A 10,5	stainless steel

Note:
WMB-VA2.3
not included.

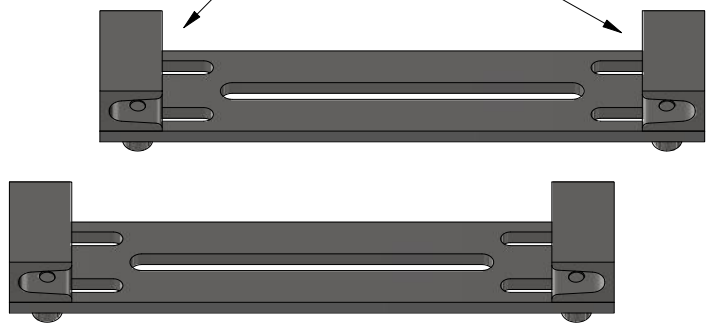
1



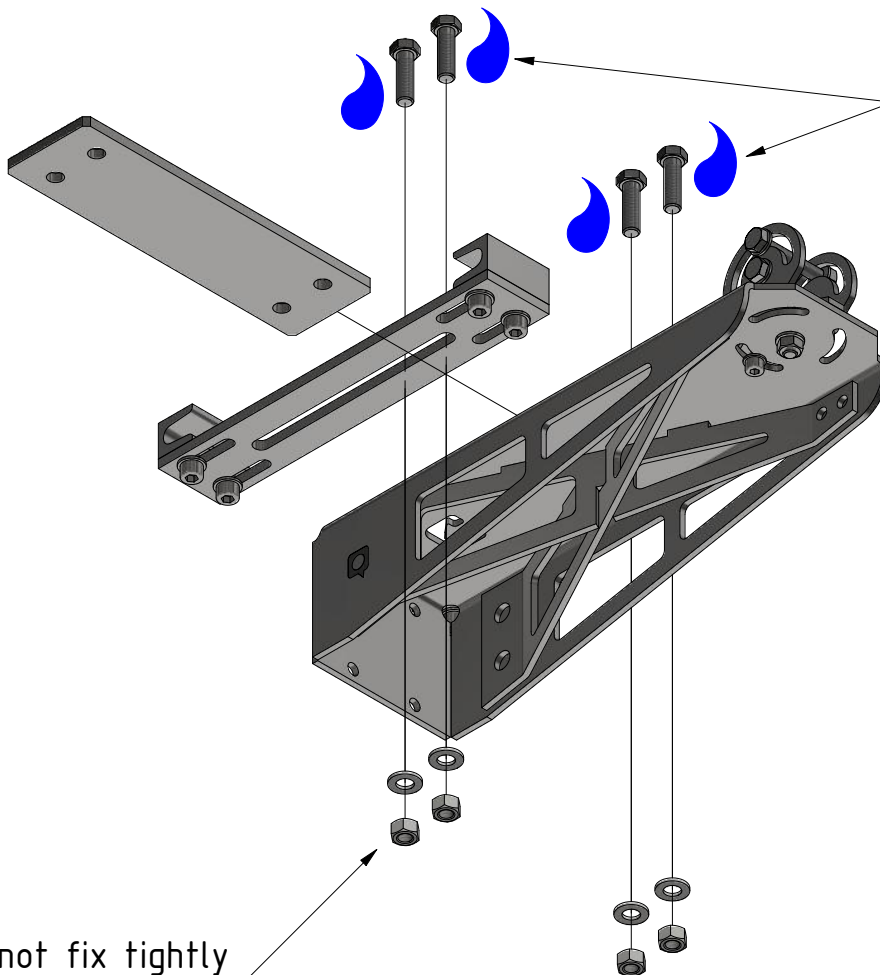
Thread lock on every bolt !



Do not fix tightly



2

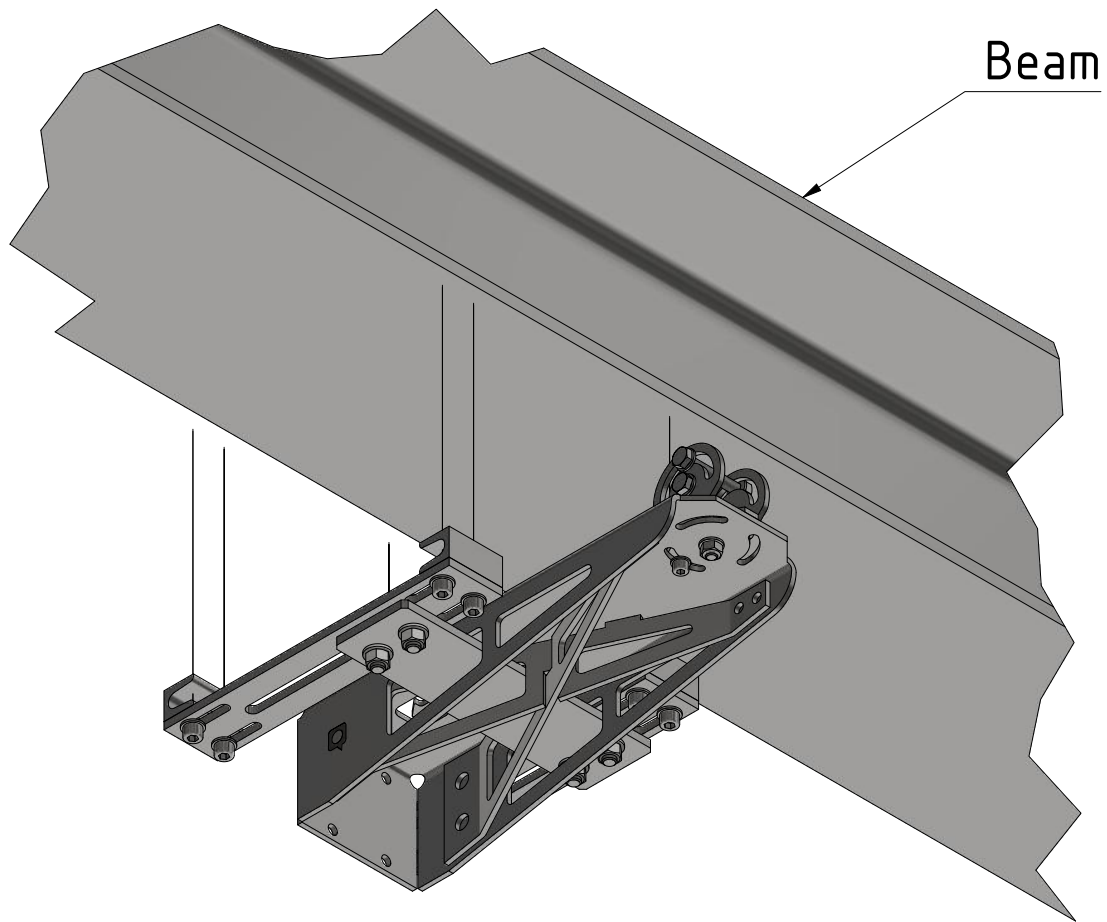


Thread lock on every bolt !

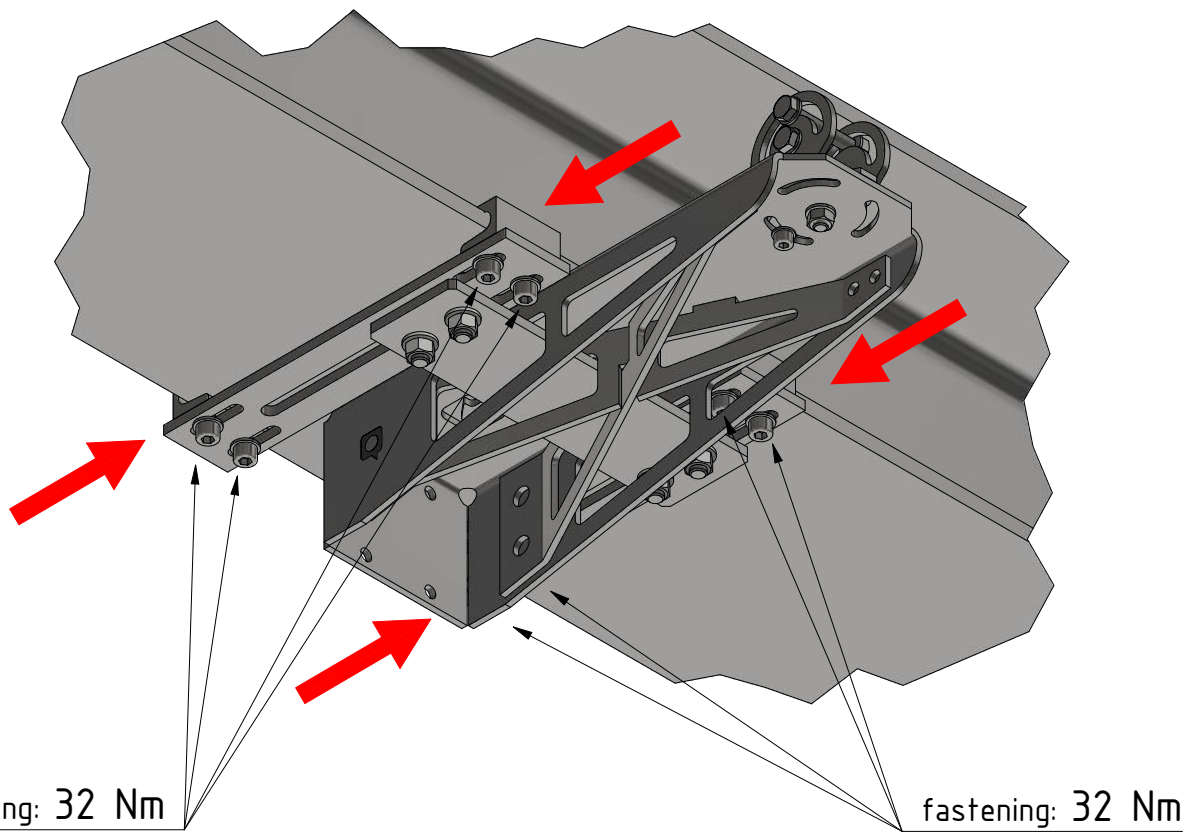


Do not fix tightly

3

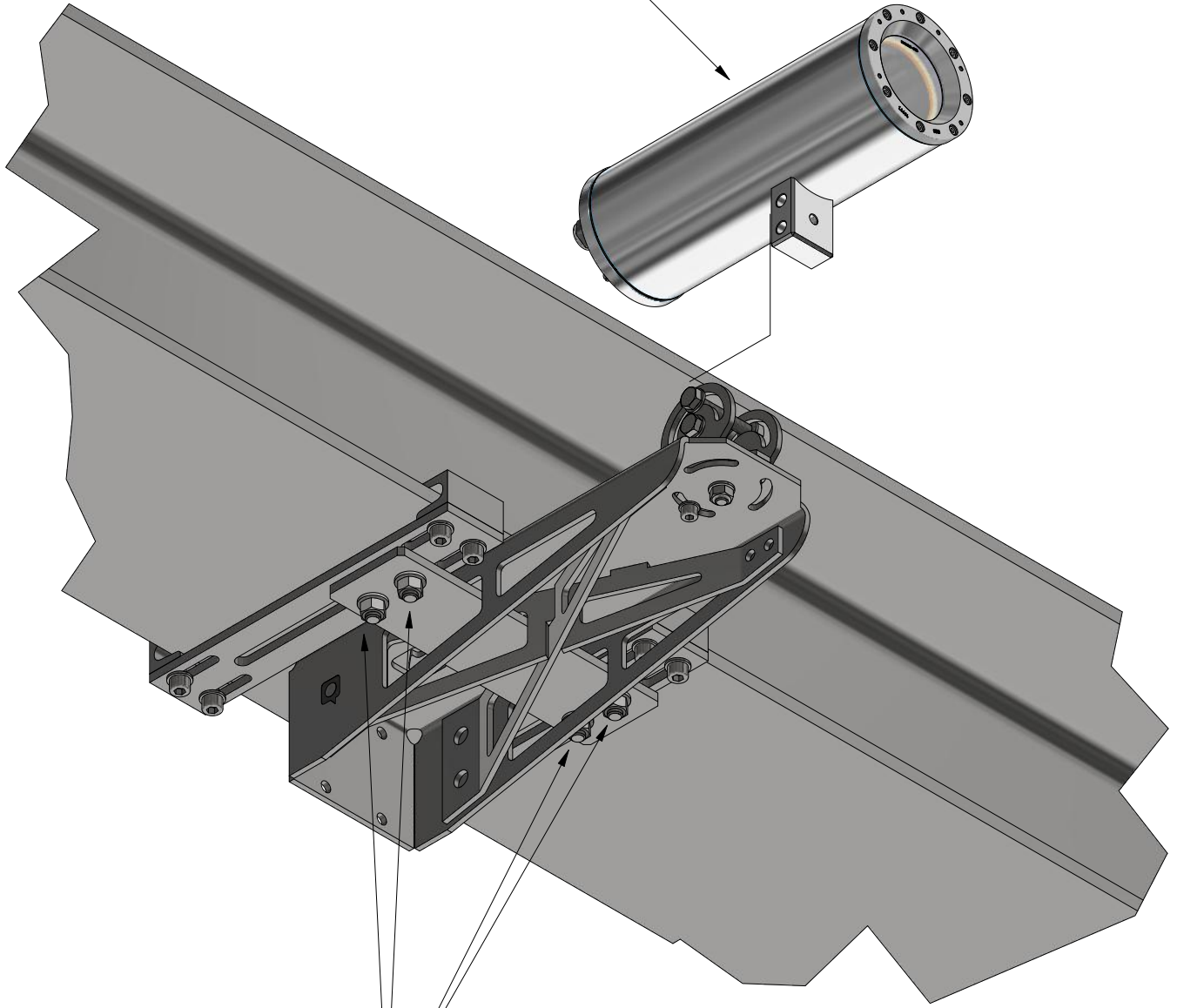


4



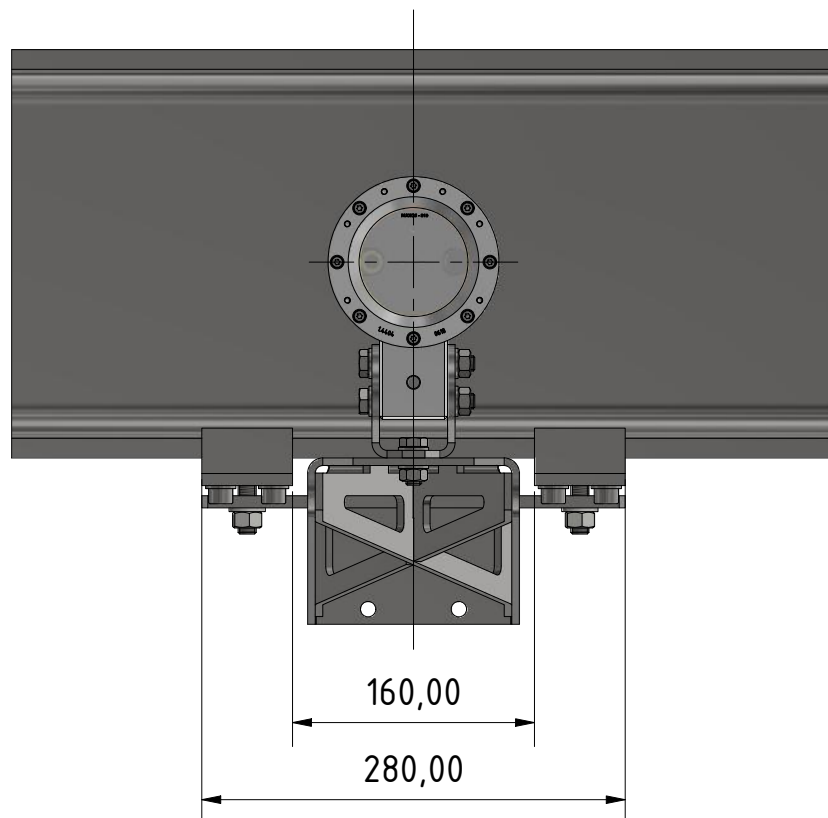
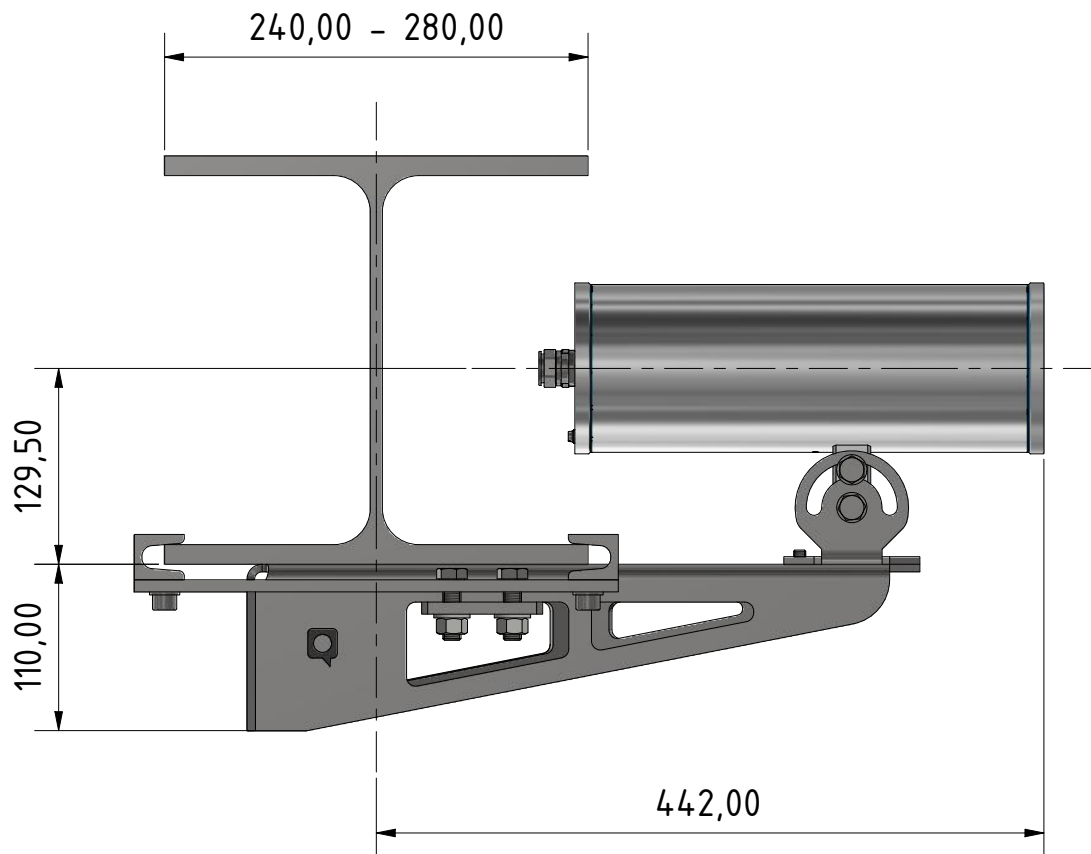
5

Fix camera to
Wall Mount Bracket



fastening: 40-45 Nm

Dimensions



Note:
For more information please refer
to other assembly instructions!



SAMCON

Prozessleittechnik GmbH

