



**SAMCON**  
Prozessleittechnik GmbH

# Assembly Instruction

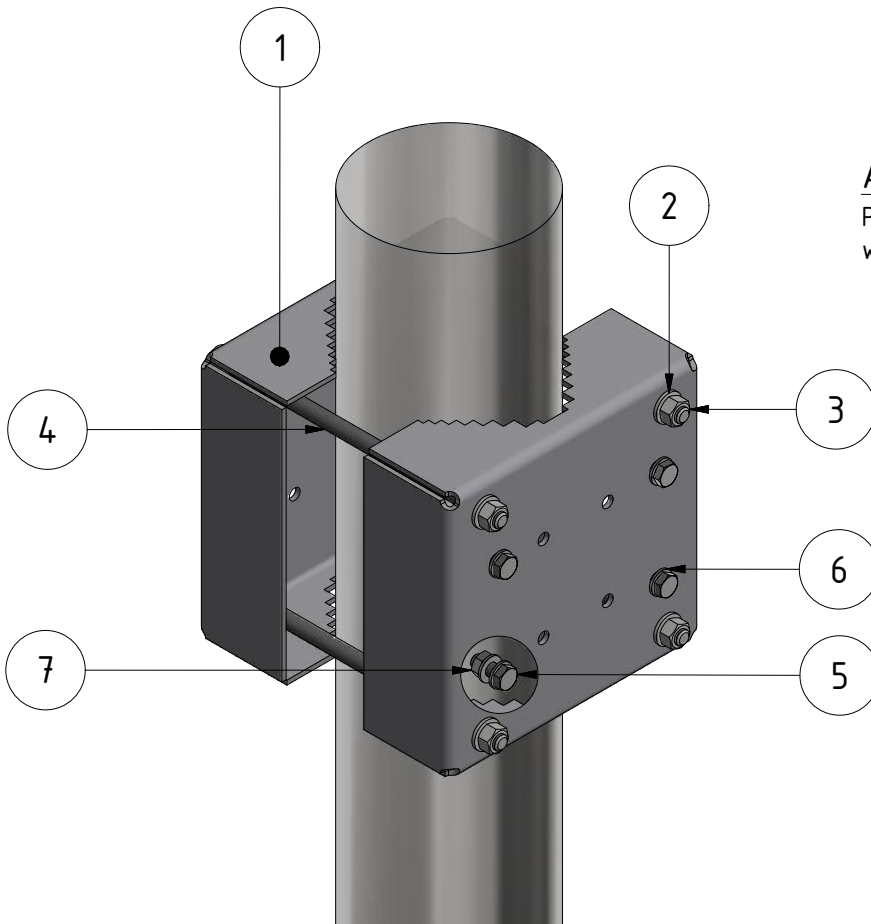
product: PMB-TNXCD  
author: S. Weber  
date: June 21, 2018  
doc ID: 180621-PZUMA-SW-PMB-TNXCD\_assembly  
instruction\_rev.01.idw



# INTRO



What you need:	
Wrench	19mm
Wrench	17mm
Torque wrench	17 - 19mm
Pole Ø	100mm to 150mm



## ATTENTION:

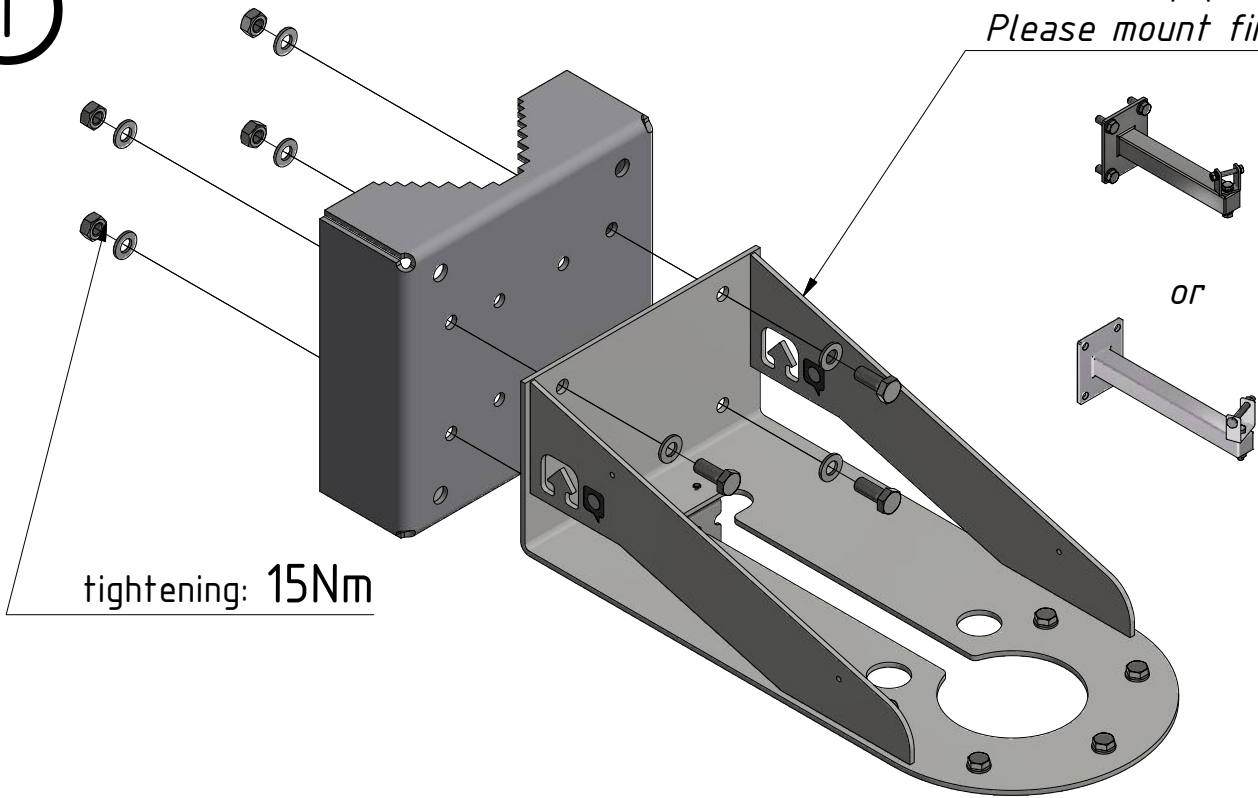
Please be careful when working at heights !



Table of content			
obj.	qty.	part	material
1	2	PMB-TNXCD	stainless steel
2	8	Washer DIN 125 - A 13	stainless steel
3	8	Nut ISO 4032 - M12	stainless steel
4	4	Threaded rod M12 x 1.5 x 260	stainless steel
5	4	Threaded bolt ISO 4017 - M10 x 25	stainless steel
6	8	Washer DIN 125 - A 10,5	stainless steel
7	4	Nut ISO 4032 - M10	stainless steel

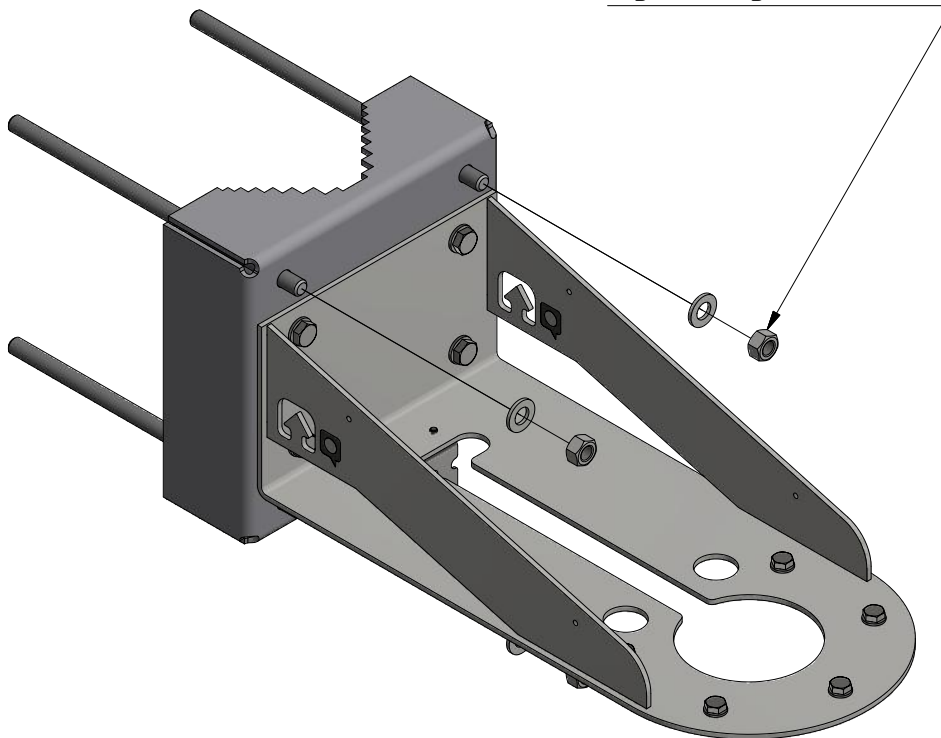
1

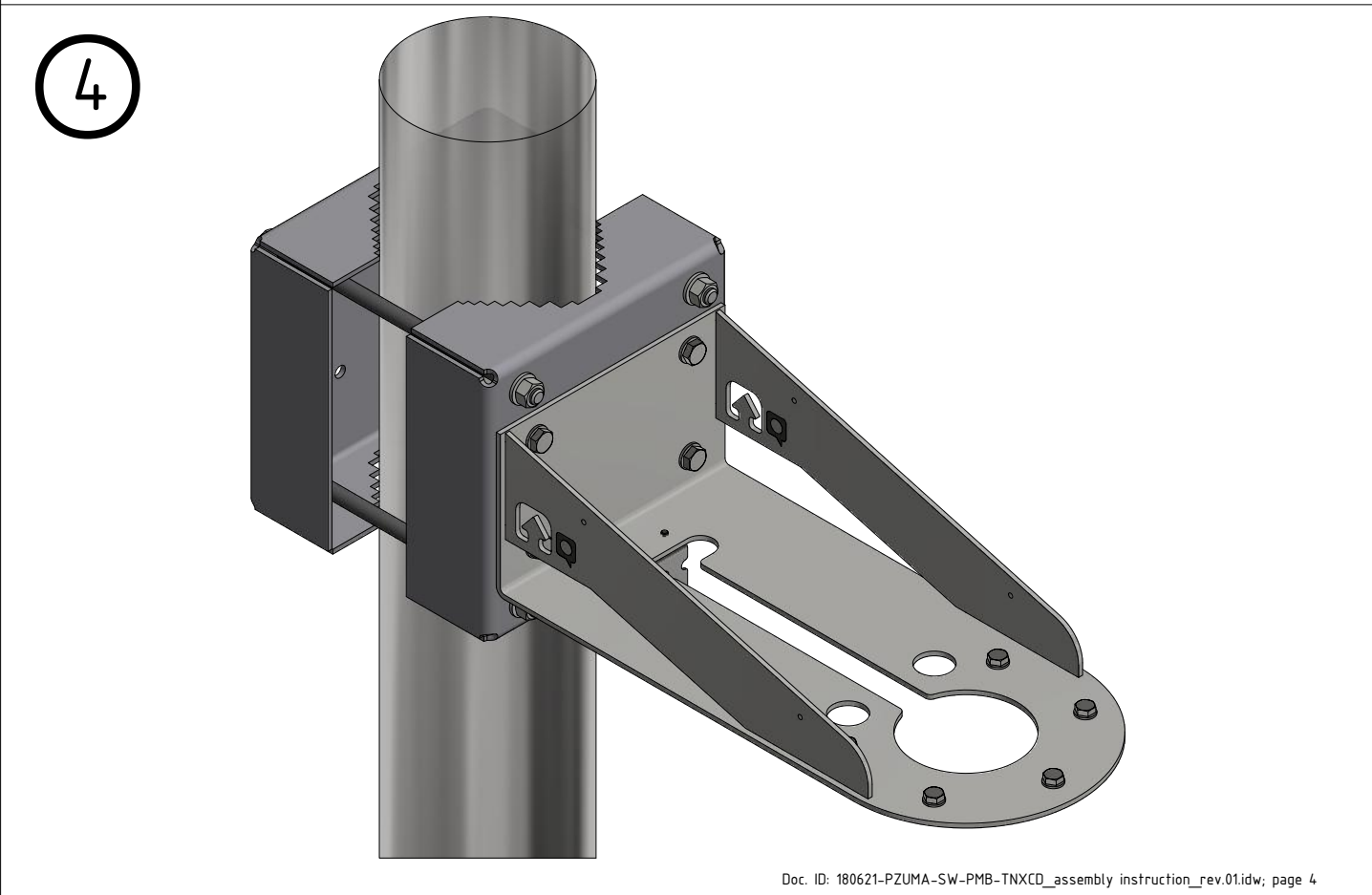
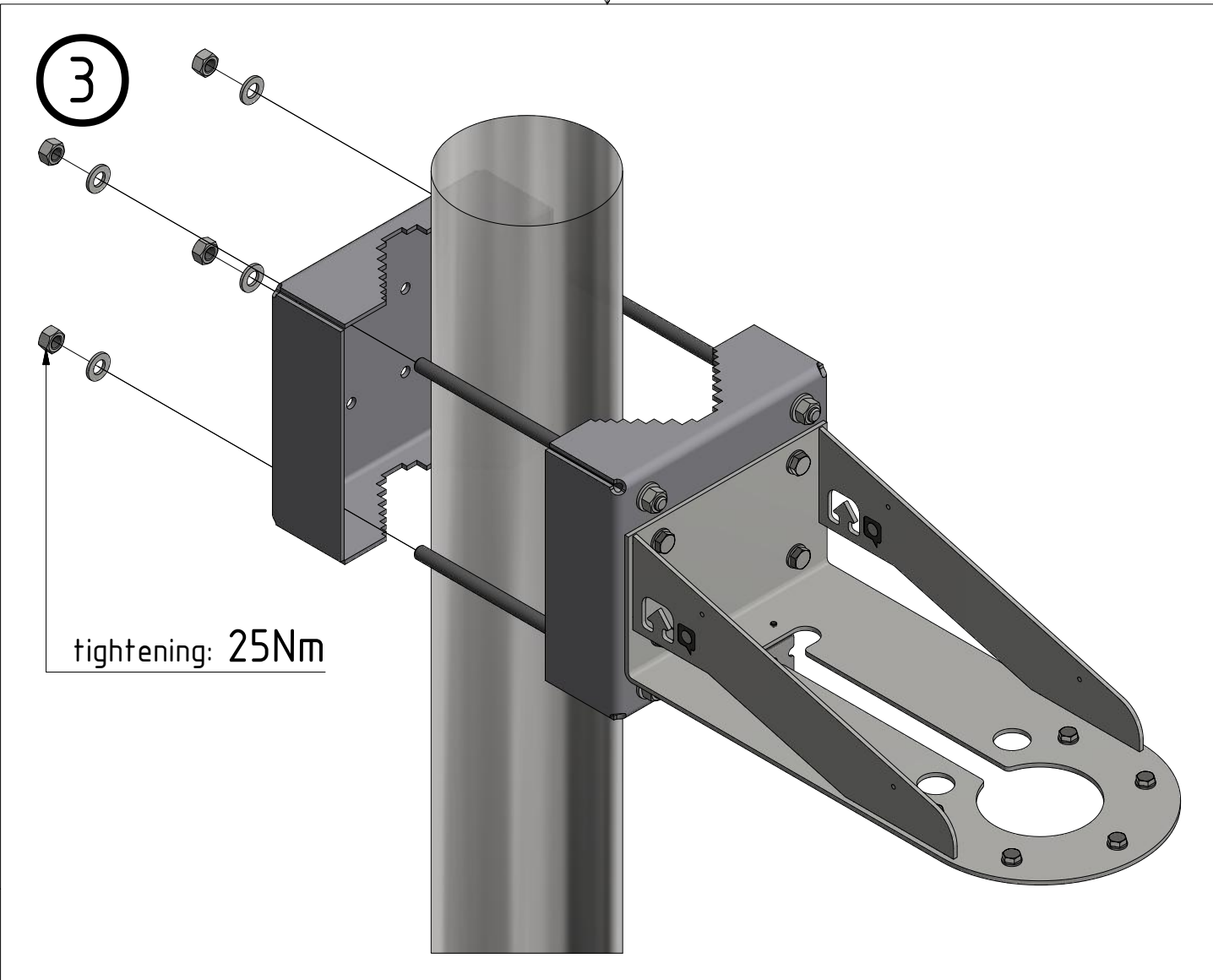
*External equipment  
Please mount first!*

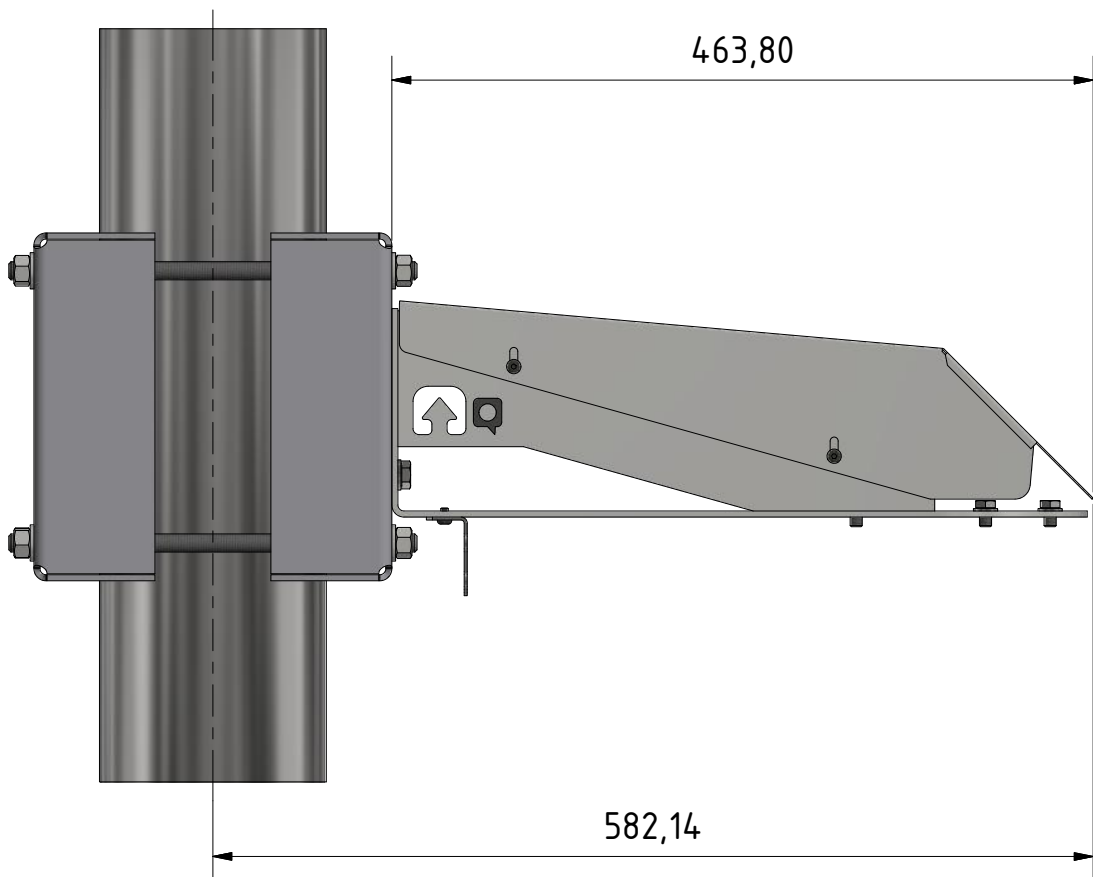
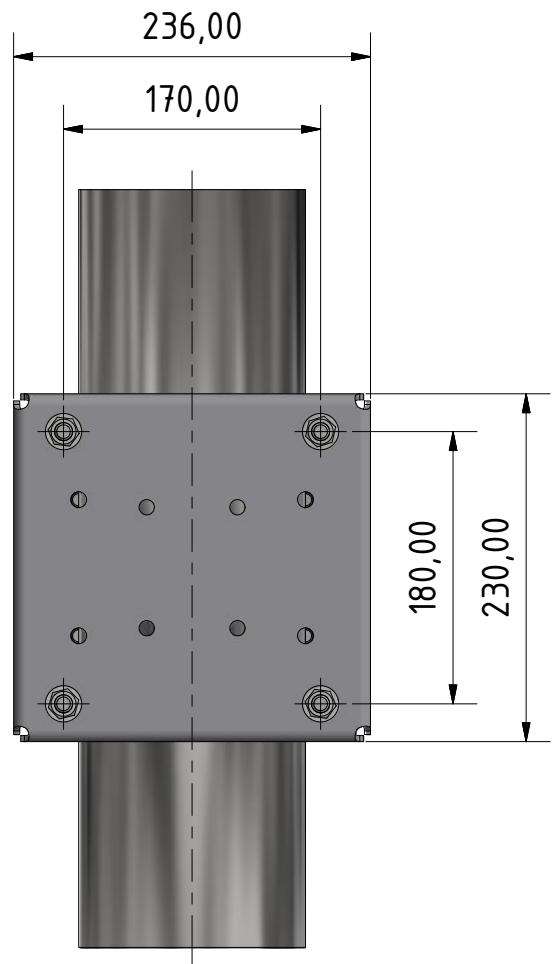
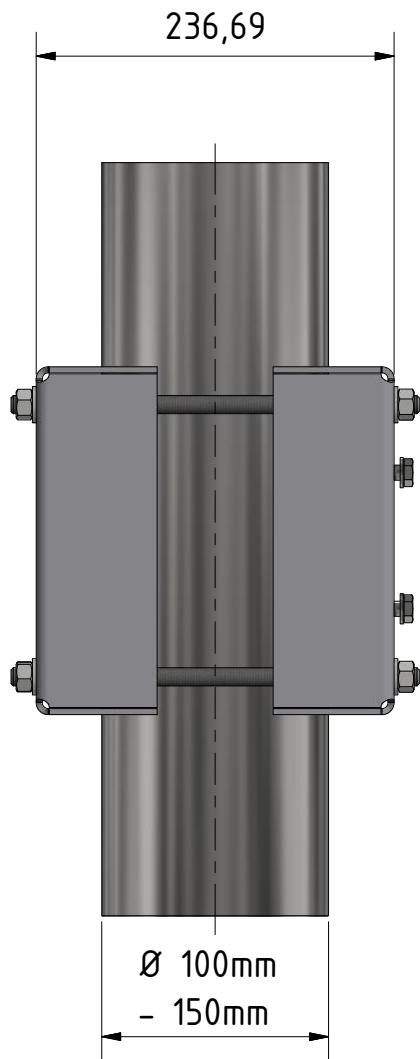


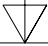
2

tightening: 25Nm

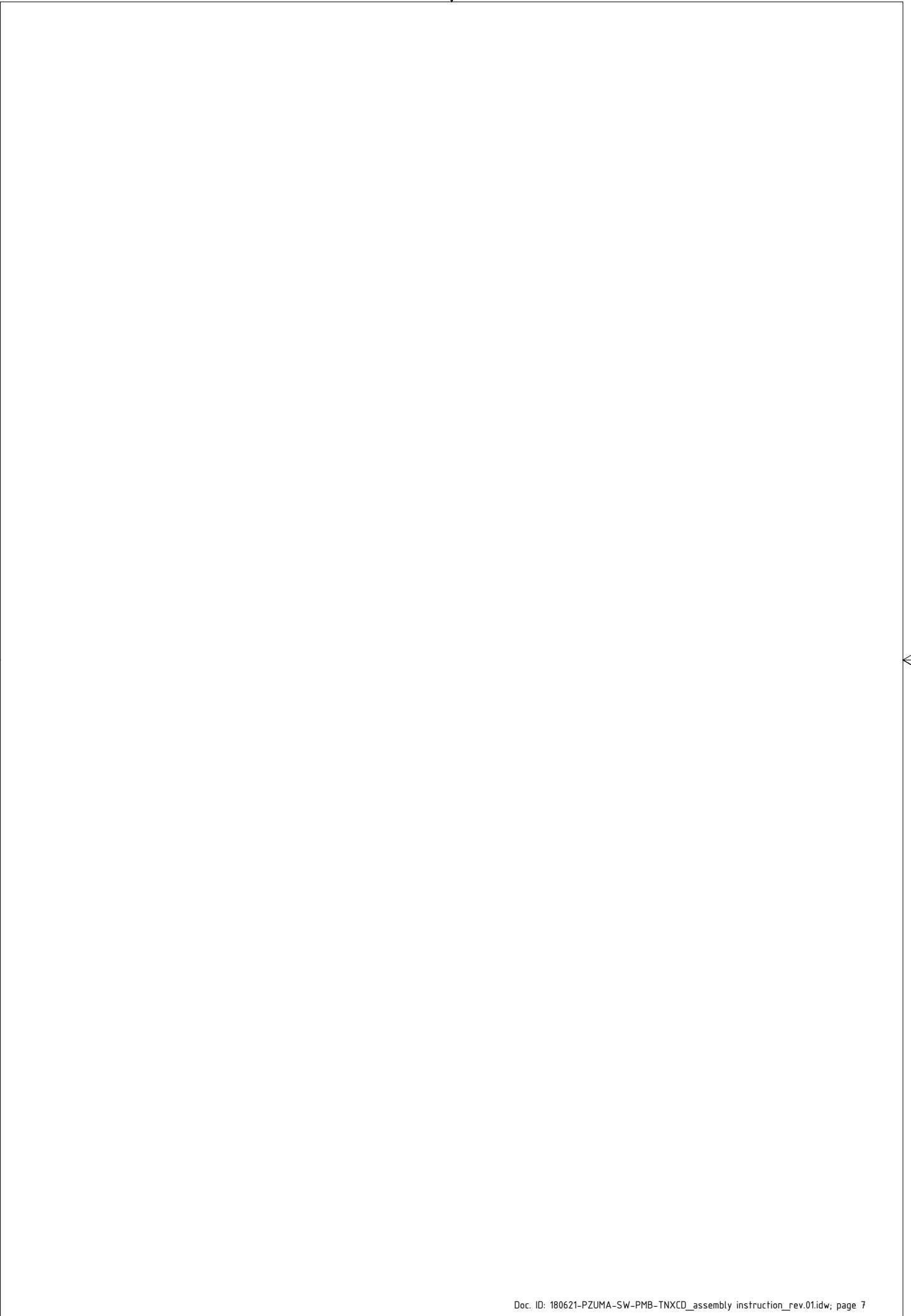








Note:  
For more information see  
other assembly instructions!





**SAMCON**

Prozessleittechnik GmbH

