



# SAMCON

Prozessleittechnik GmbH

## Assembly Instruction

product: SCH-VA1.2 (hinge attachment)  
author: S. Weber  
date: Feb. 03, 2021  
doc ID: 210203-PZUMA-SW-SCH-VA1.2\_assembly  
instruction\_rev.oo.idw  
passing:

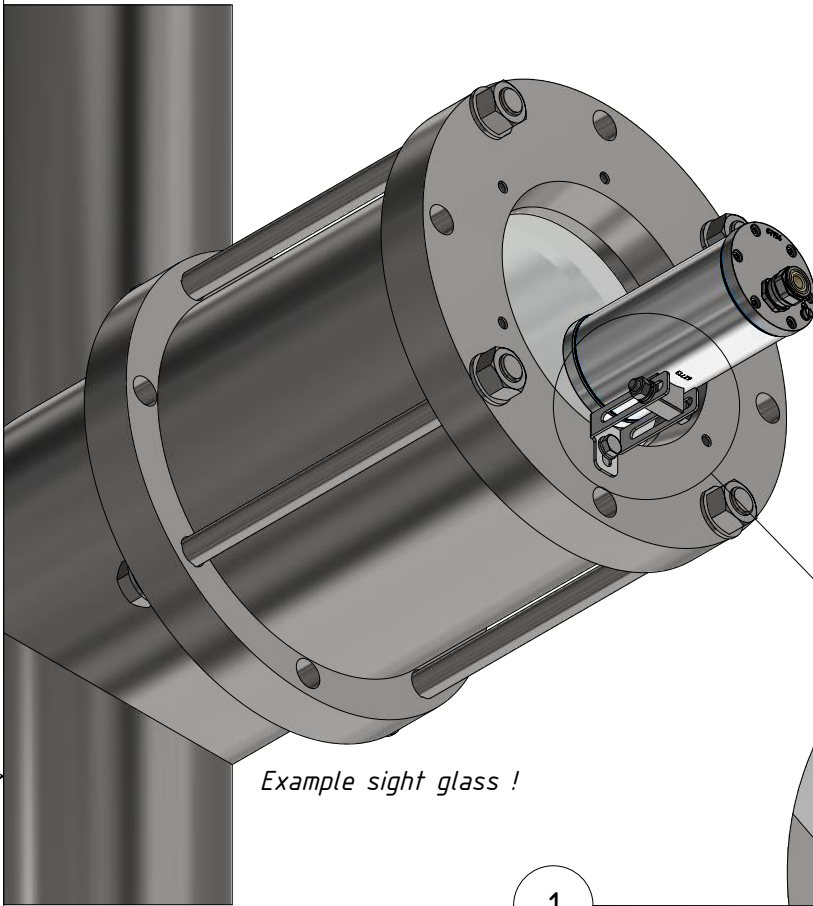


# INTRO

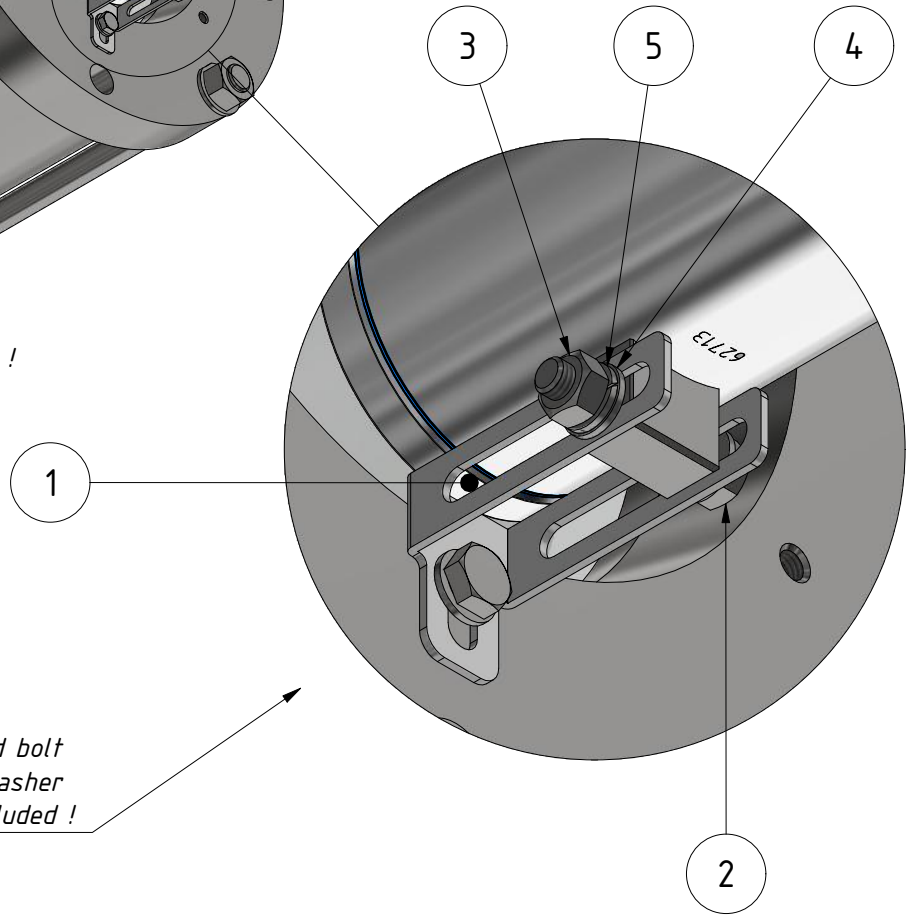


What you need:	
Wrench	13mm
Torque wrench	13mm

**ATTENTION:**  
Please be careful when working at heights !



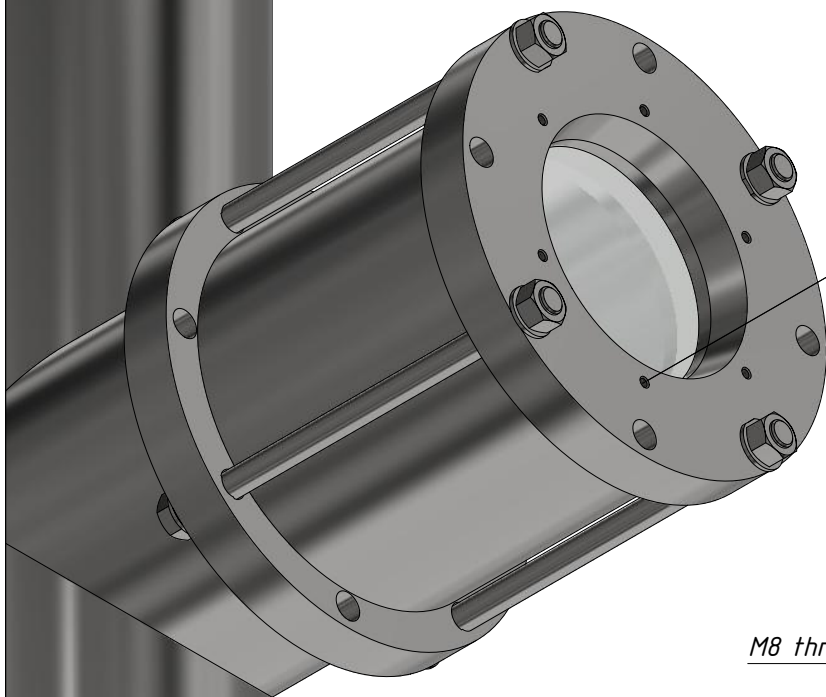
*Example sight glass !*



*M8 threaded bolt  
+ M8 washer  
not included !*

Table of content			
obj.	qty.	part	material
1	1	SCH-VA1.2 (hinge attachment)	stainless steel
2	1	Threaded bolt DIN 933 - M8 x 45	stainless steel
3	1	Nnut ISO 4032 - M8	stainless steel
4	2	Washer DIN 433 - 8,4	stainless steel
5	1	Washer DIN 7980 - A8	stainless steel

1

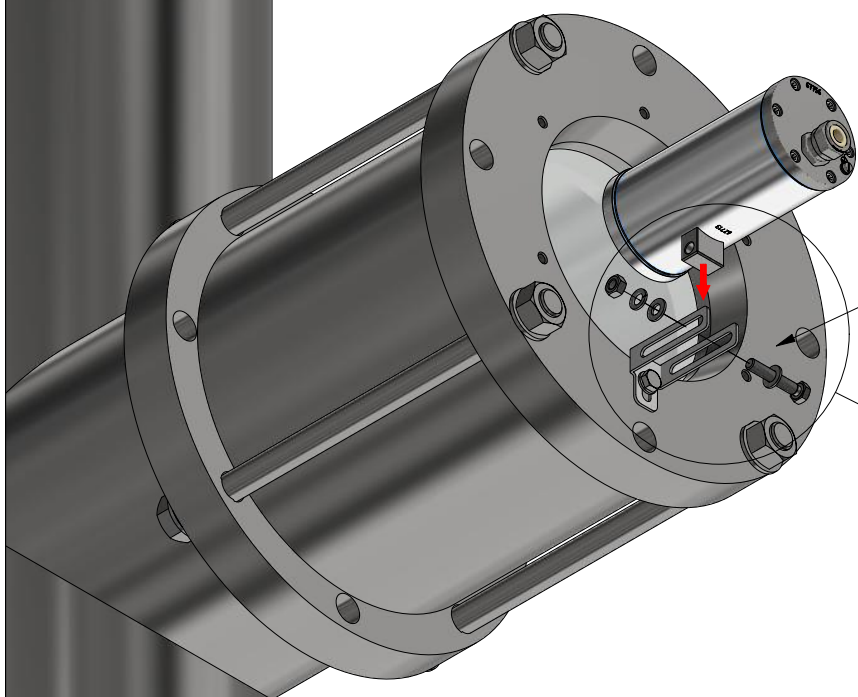


*note specific torque !*

*M8 threaded bolt not included !*

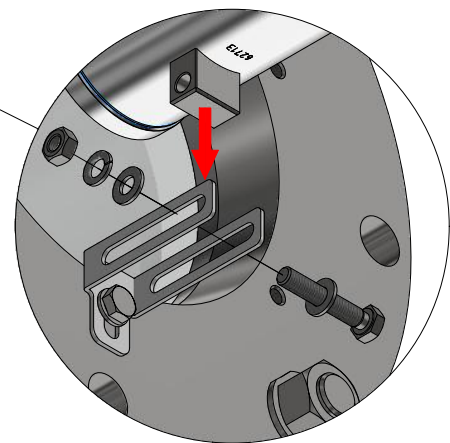
*Example sight glass !*

2



*Adjust, if necessary !*

*tightening: 20Nm*



*Example sight glass !*



**SAMCON**

Prozessleittechnik GmbH

