



SAMCON

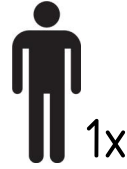
Prozessleittechnik GmbH

Assembly Instruction

product: SCH-VA2.1 / VA2.2 (hinge attachment)
author: S. Weber
date: Feb. 04, 2021
doc ID: 210204-PZUMA-SW-SCH-VA2.1;VA2.2_assembly
instruction_rev.oo.idw
passing:

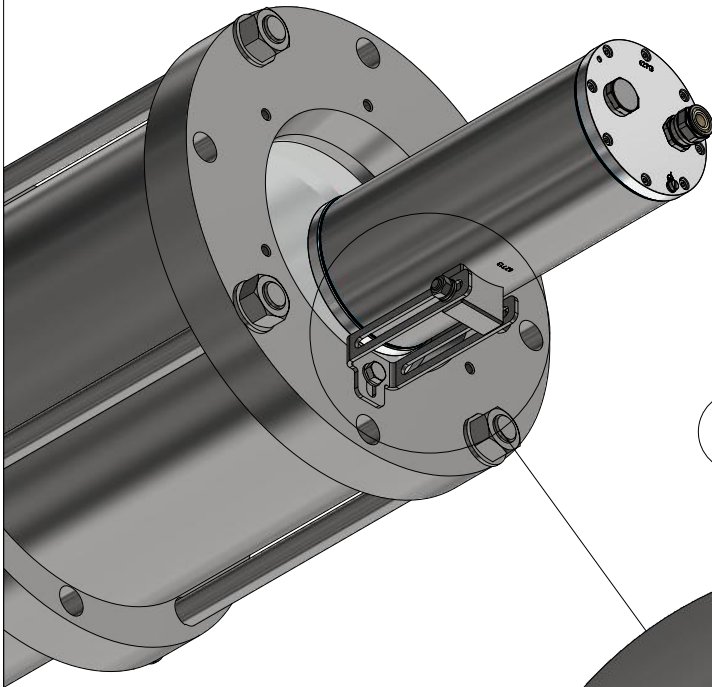


INTRO

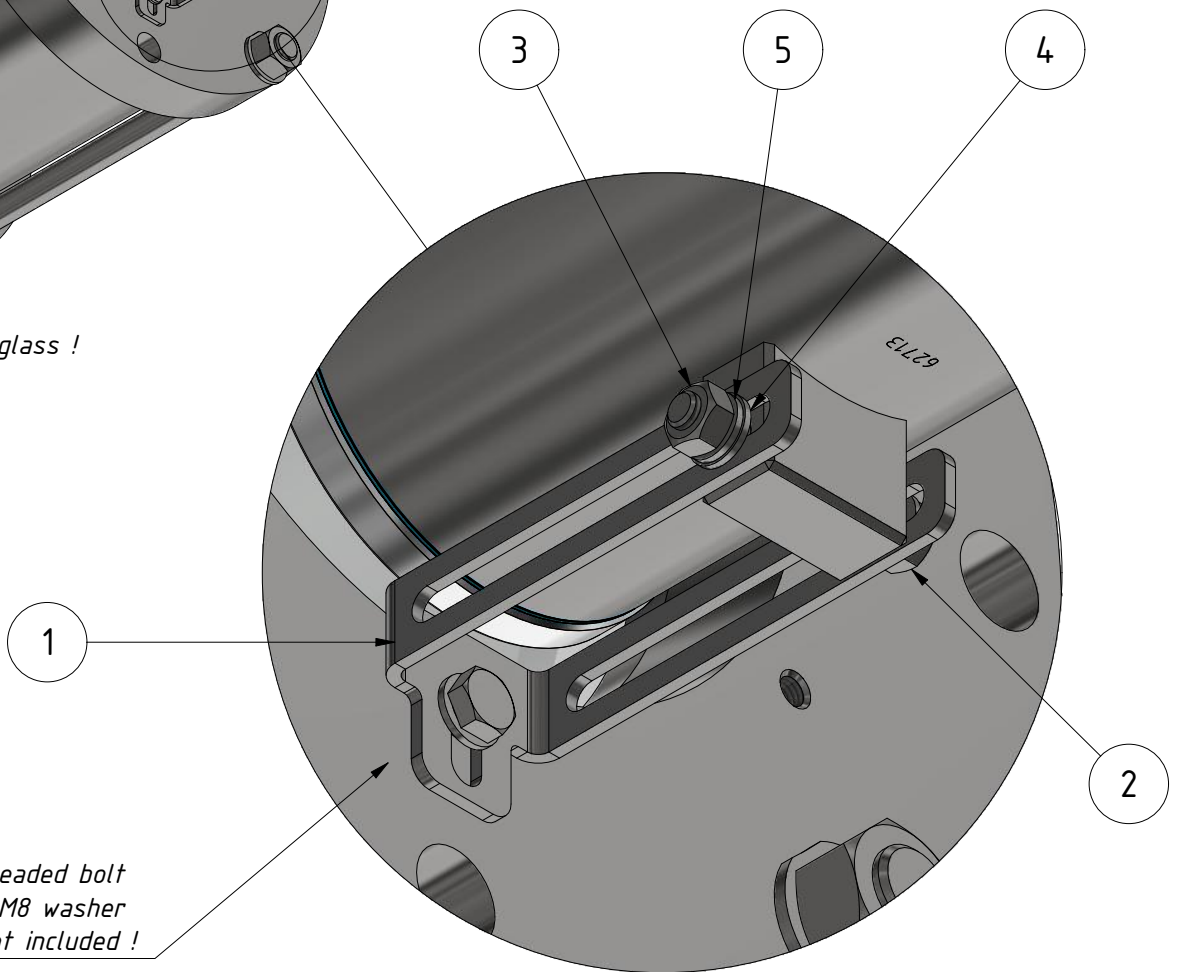


What you need:	
Wrench	13mm
Torque wrench	13mm

ATTENTION:
Please be careful when working at heights !



Example sight glass !



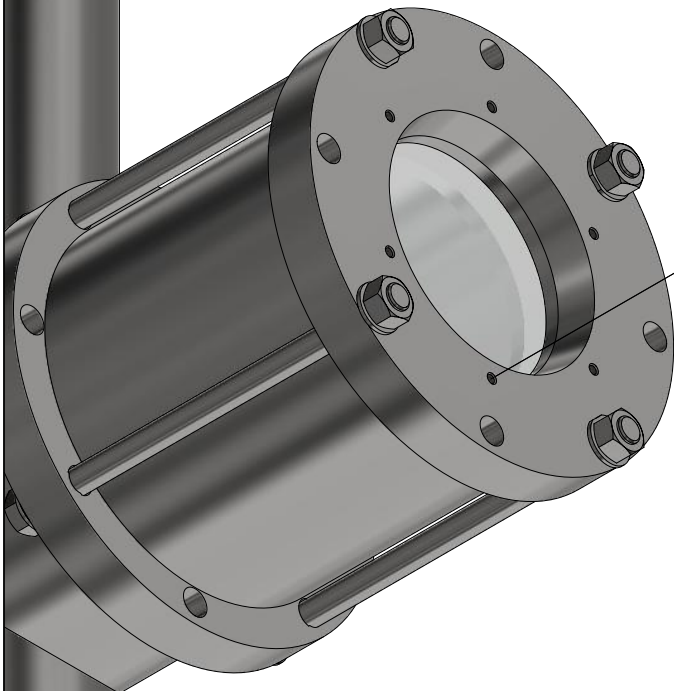
*M8 threaded bolt
+ M8 washer
not included !*

Table of content

obj.	qty.	part	material
1	1	SCH-VA2.1 / VA2.2 (hinge attachment)	stainless steel
2	1	Threaded bolt DIN 933 - M8 x 60	stainless steel
3	1	Nnut ISO 4032 - M8	stainless steel
4	2	Washer DIN 433 - 8,4	stainless steel
5	1	Washer DIN 7980 - A8	stainless steel

1

note specific torque !



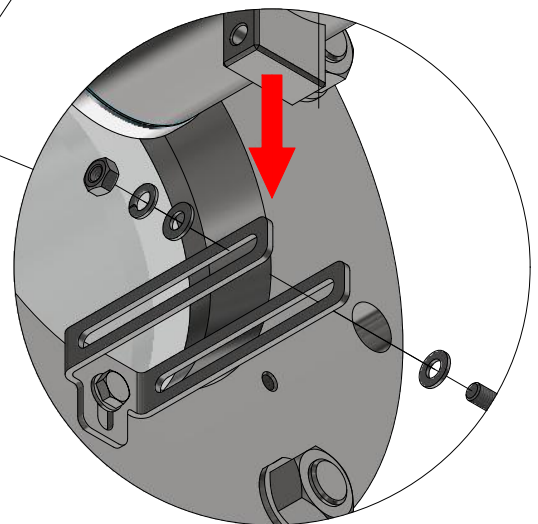
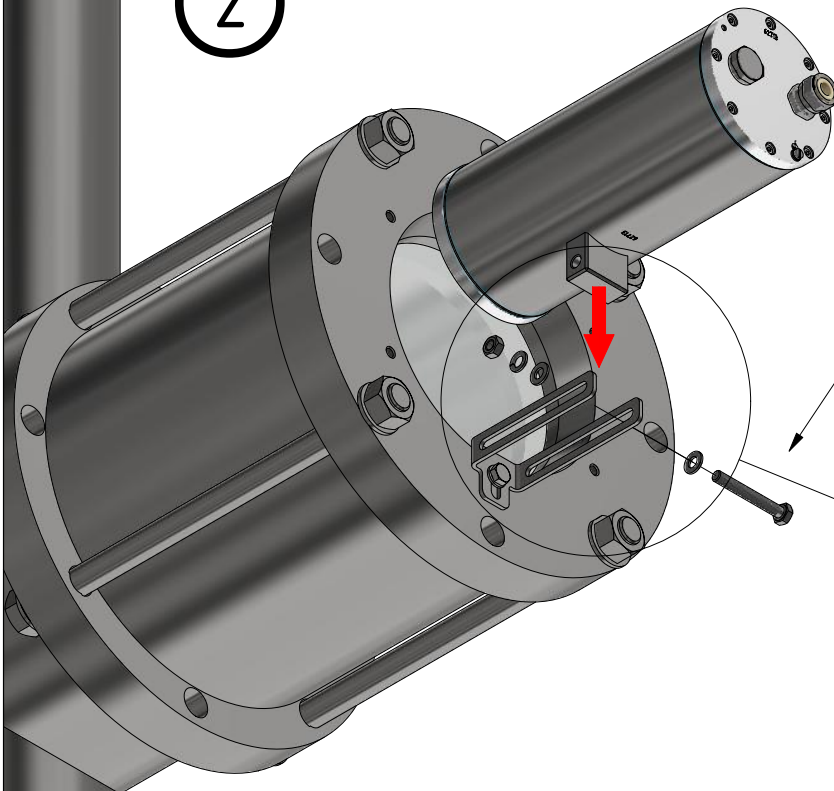
M8 threaded bolt not included !

Example sight glass !

2

Adjust, if necessary !

tightening: 20Nm



Example sight glass !



SAMCON

Prozessleittechnik GmbH

