



SAMCON

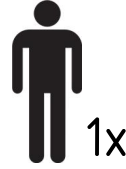
Prozessleittechnik GmbH

Assembly instruction

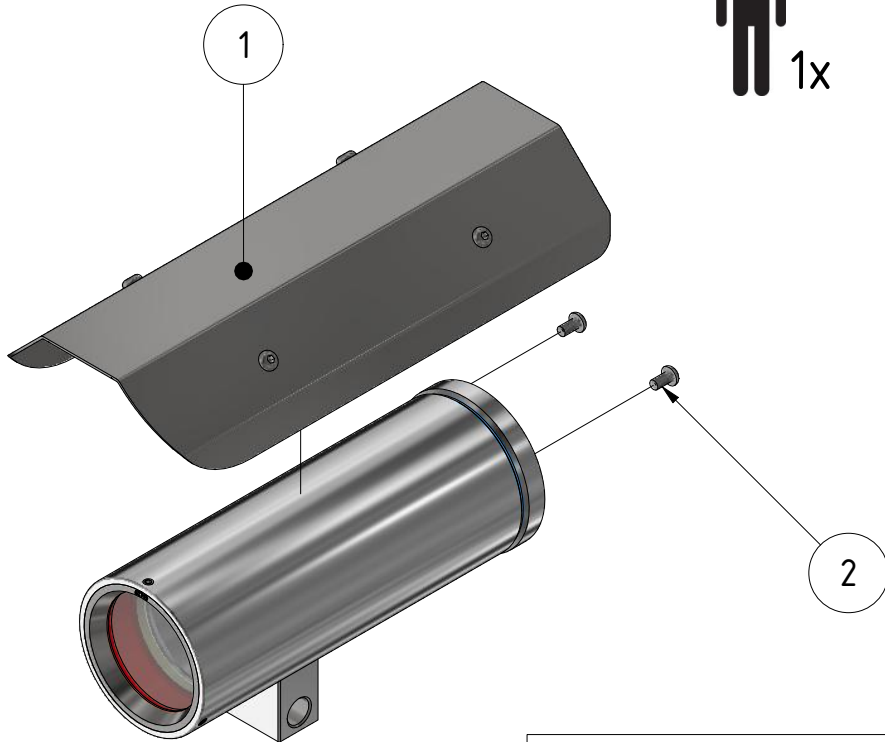
product: WPR-VAo.1
author: S. Weber
date: Apr. 09, 2021
doc ID: 210409-PZUMA-SW-WPR-VAo.1_assembly
instruction_rev.oo.idw
passing:



INTRO



What you need:	
Allen wrench	2,0 mm
Tourque-allen wrench	2,0 mm

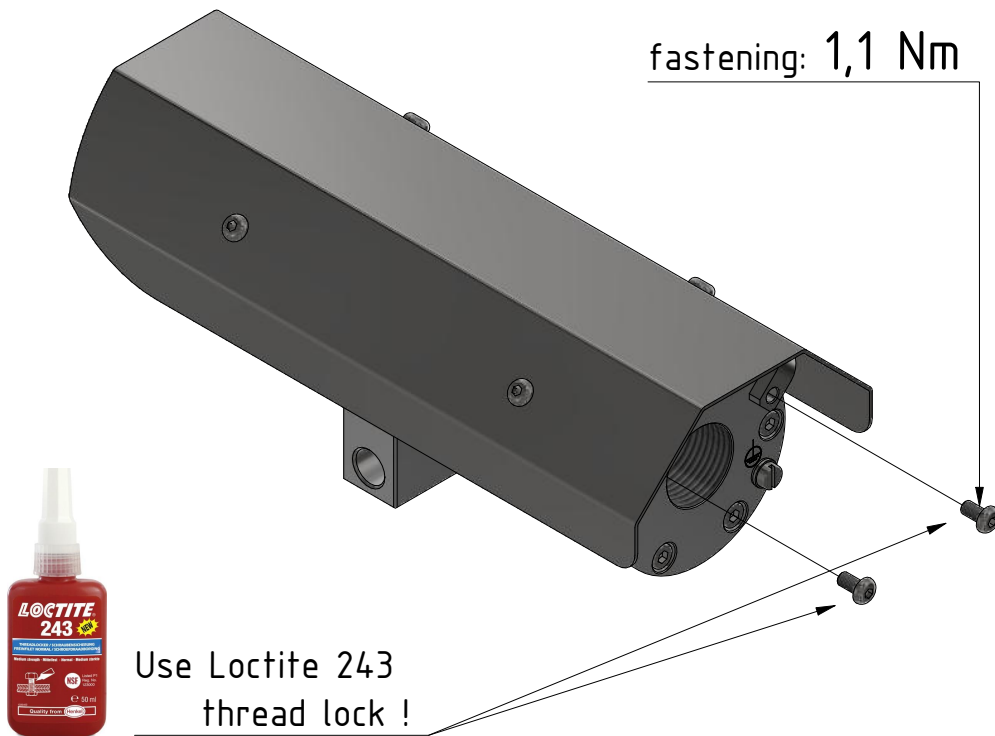


ATTENTION:
Please be careful when working at heights !



Table of content			
obj.	qty.	part	material
1	1	WPR-VA0.1	stainless steel
2	2	Threaded bolt ISO 7380-1 - M3 x 6	stainless steel

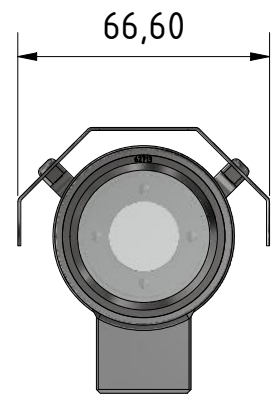
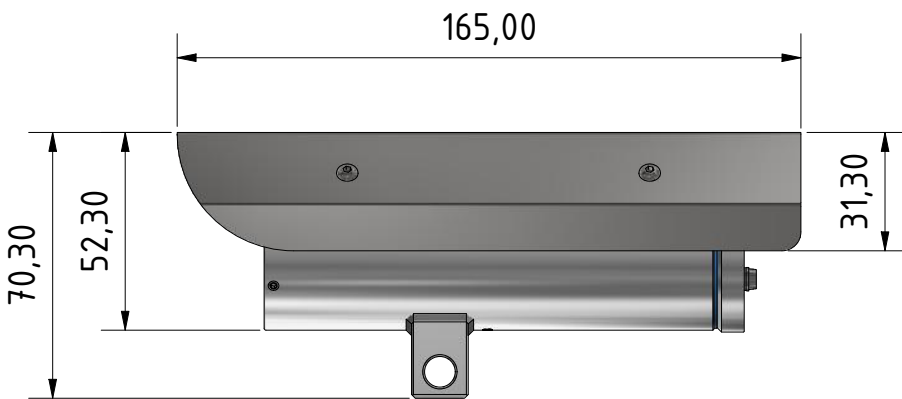
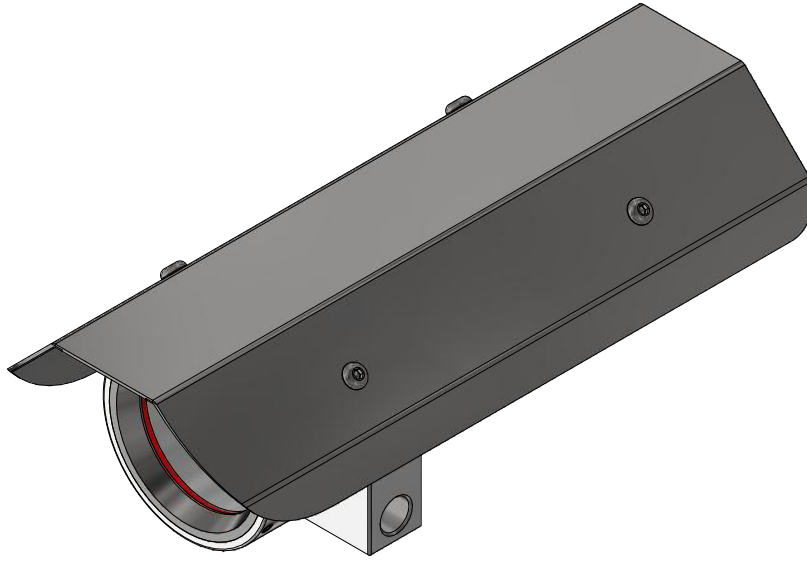
1



fastening: 1,1 Nm

Use Loctite 243
thread lock !

2



Note:
For more information see
other assembly instructions!



SAMCON

Prozessleittechnik GmbH

