



SAMCON

Prozessleittechnik GmbH

Assembly instruction

product: WPR-VA2.1

author: S. Weber

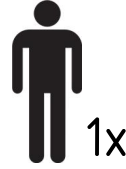
date: April 21, 2021

doc ID: 210421-PZUMA-SW-WPR-VA2.1_assembly
instruction_rev.00.idw

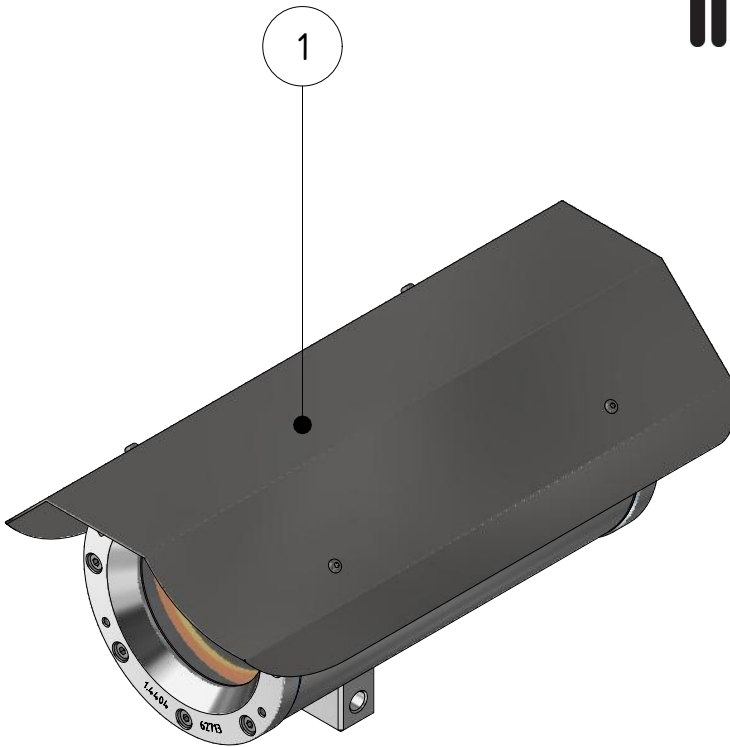
passing:



INTRO



What you need:	
Allen wrench	2,0 mm
Allen wrench	2,5 mm
Tourque-allen wrench	2,0 / 2,5 mm



ATTENTION:
Please be careful when working at heights !

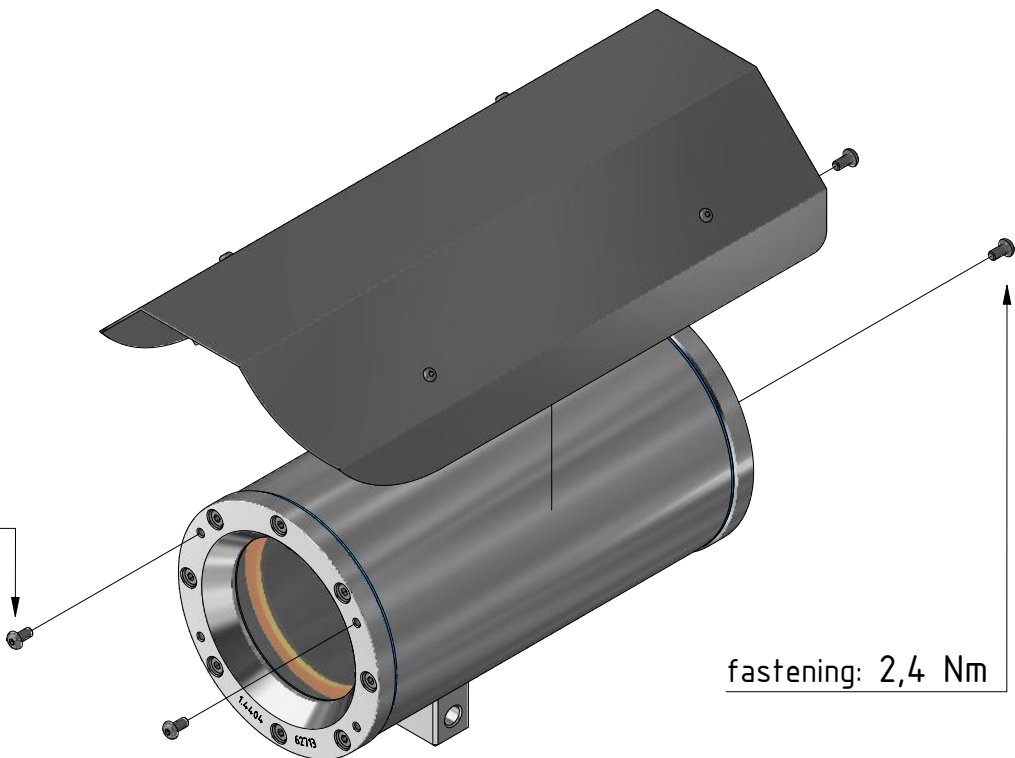


Table of content			
obj.	qty.	part	material
1	1	WPR-VA2.1	stainless steel

1

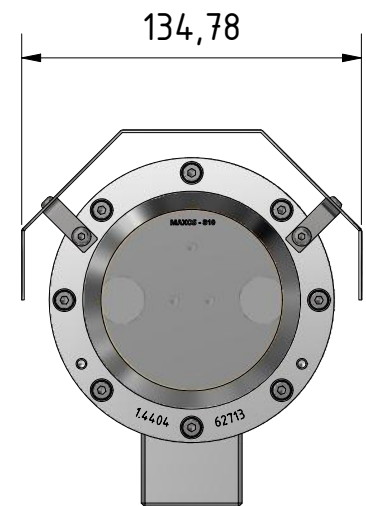
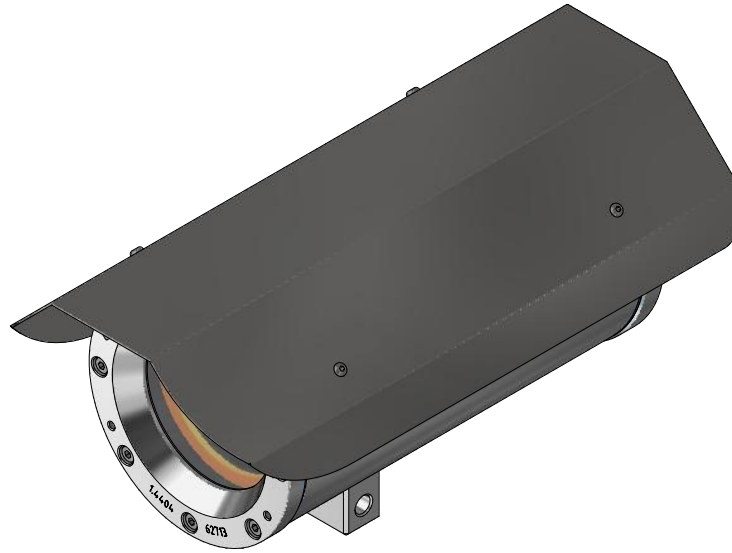


Use Loctite 243 thread lock !



fastening: 2,4 Nm

2



Note:
For more information see
other assembly instructions!



SAMCON

Prozessleittechnik GmbH

