



SAMCON

Prozessleittechnik GmbH

Assembly instruction

product: air.Blade-VA4.x.BOR1

author: S. Weber

date: May 18, 2021

doc ID: 210518-PZUMA-SW-air.Blade-VA4.x.BOR1_assembly
instruction_rev.oo.idw

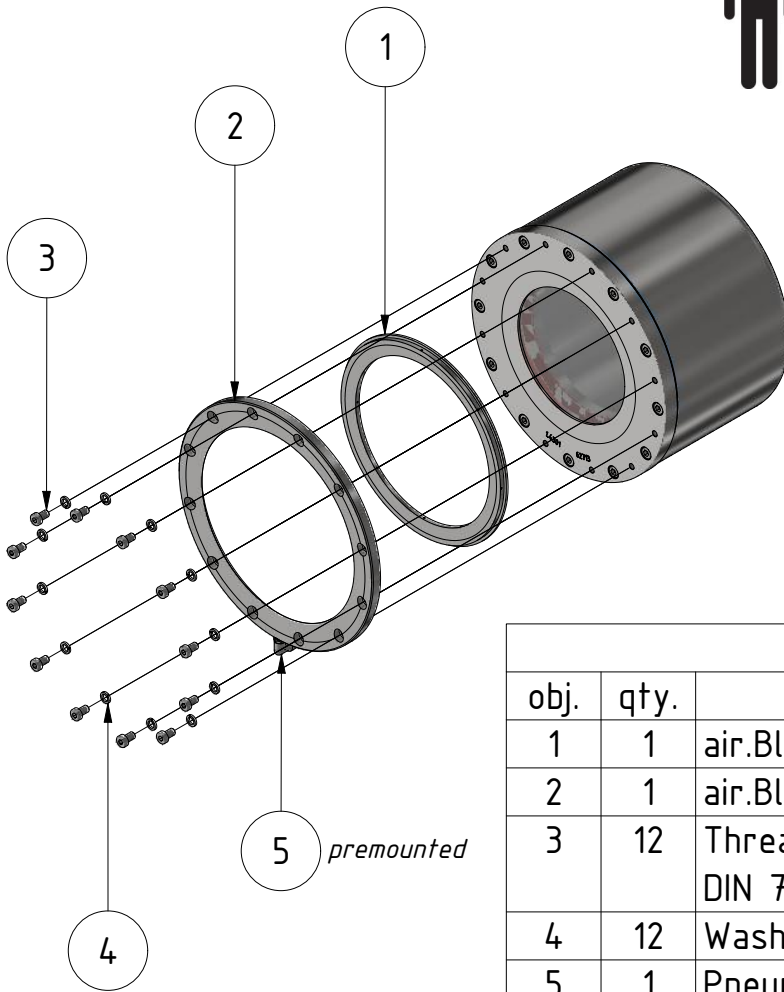
passing:



INTRO



What you need:	
Allen wrench	4 mm
Tourque-allen wrench	4 mm



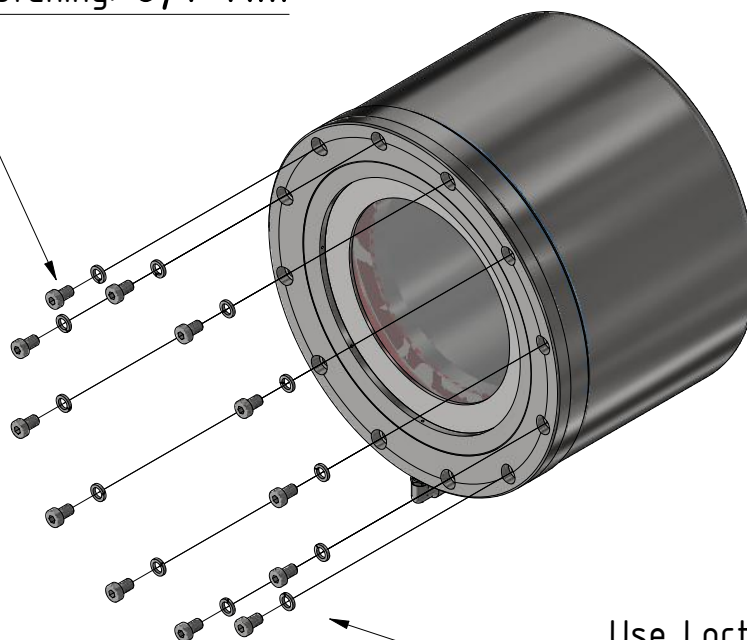
ATTENTION:
Please be careful when working at heights !



Table of content			
obj.	qty.	part	material
1	1	air.Blade inner part	Stainless steel
2	1	air.Blade outer part	Stainless steel
3	12	Threaded bolt DIN 7984 - M6 x 10	Stainless steel
4	12	Washer DIN 7980 - 6,1	Stainless steel
5	1	Pneumatic plug 6mm	Stainless steel

1

Fastening: 8,4 Nm

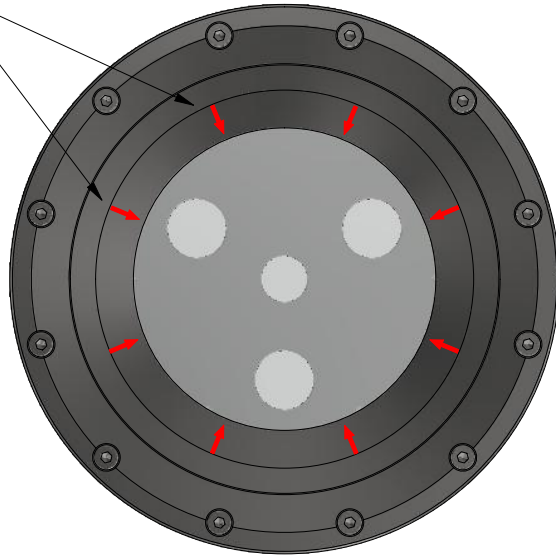


Use Loctite 243 thread lock !



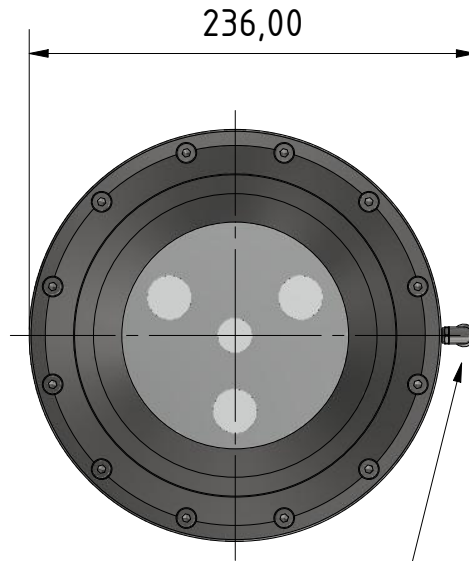
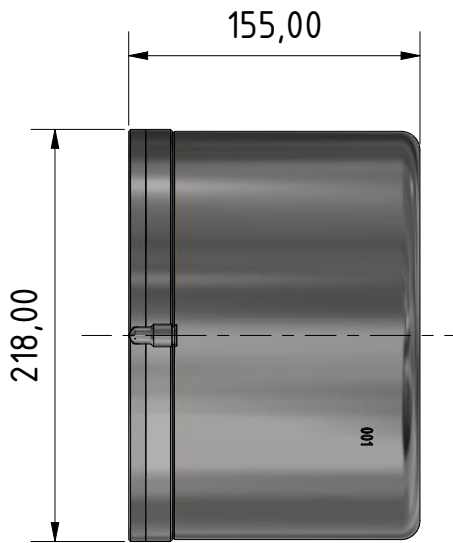
2

Air flow



Air intake

Dimensions VA4.1K.BOR1:



Rotation 360°

Note:

For more information visit
www.samcon.eu !



SAMCON

Prozessleittechnik GmbH

