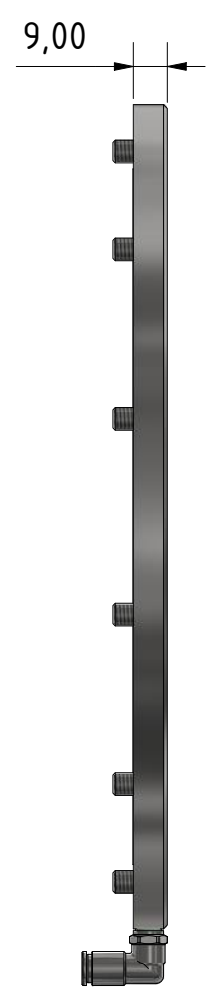
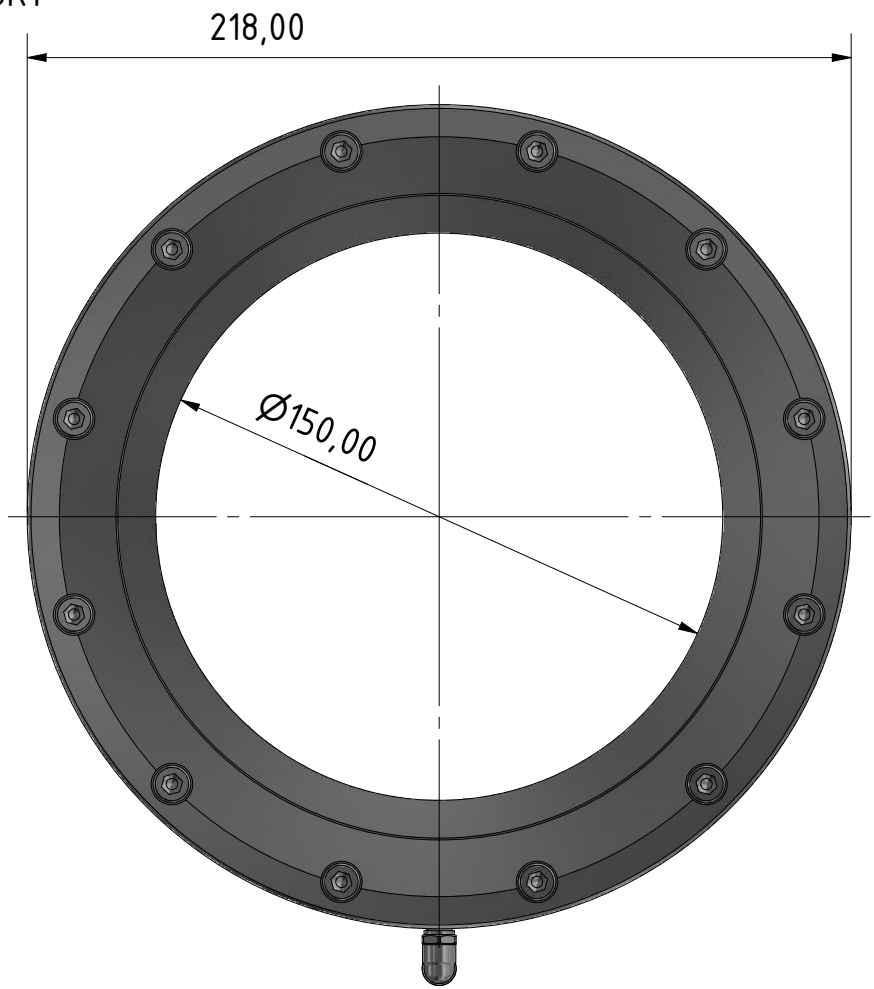
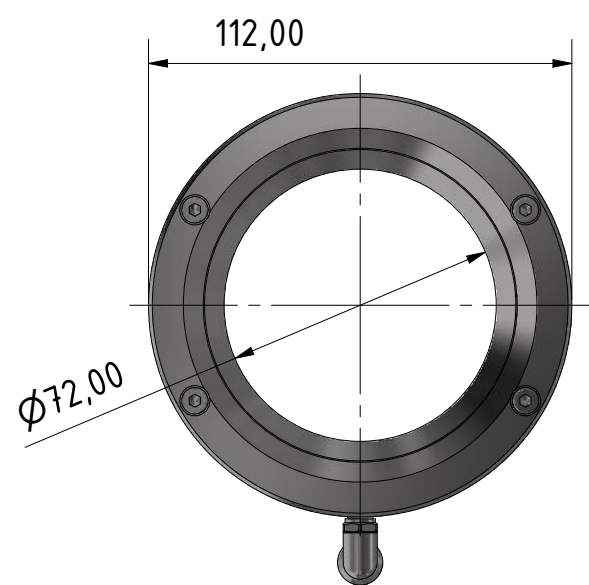
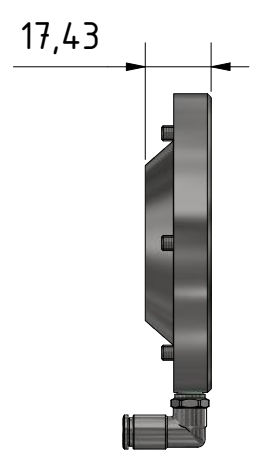
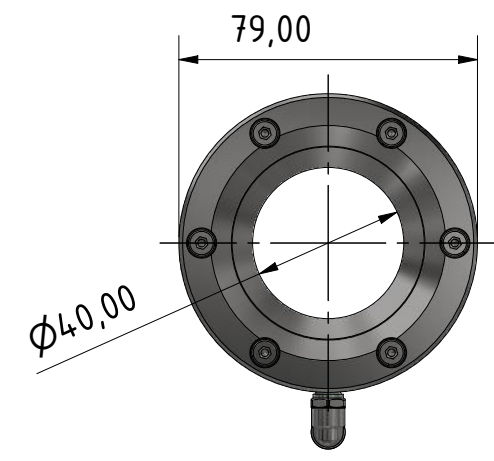


VA1.x

VA2.x

VA4.x.BOR1



6x threaded bolt M4x10

4x threaded bolt M4x10

12x threaded bolt M6x10

Attention, all dimensions in mm!

(Application) IECEX (T0x) Technical drawing for mechanical components suppliers/manufacturers		(all. Deviation) Tolerance class f according to ISO 2768-1 Tolerance class H according to ISO 2768-2	(Surface) Roughness: $Ra \leq 6,3 \mu m$ (ISO 468) (DIN EN 60079-1 2004: paragraph 5.2.2)	Scale: 1 : 2 Material: stainless steel (1.4404), rubber	Mass: <i>various</i>
			Date	Name	Materialnumber: (Component) air.Blade VA1.x - VA2.x - VA4.x.BOR1 (Drawing number) Doc.-ID: 210512-ET95air.Blade-SW-2D-CAD_rev.00.idw
			Drawn	May12, 2021 S.Weber	
			Checked		
			Standard	ISO 286	
			 SAMCON Prozessleittechnik GmbH		 1 A3
Status	Changes	Date			