



SAMCON
Prozessleittechnik GmbH

Assembly Instruction

product: Cleaning nozzle with hose package
author: A. Kruse
date: 24.09.2020
doc ID: "200924-PZUMA-AK-Cleaning nozzle with hose package assembly instruction_rev.00.idw"

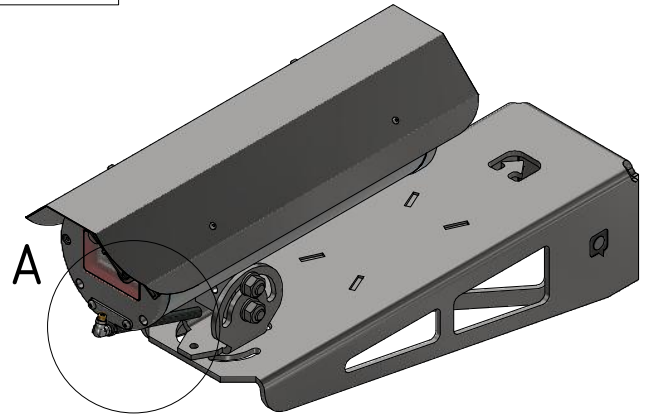


ATTENTION:

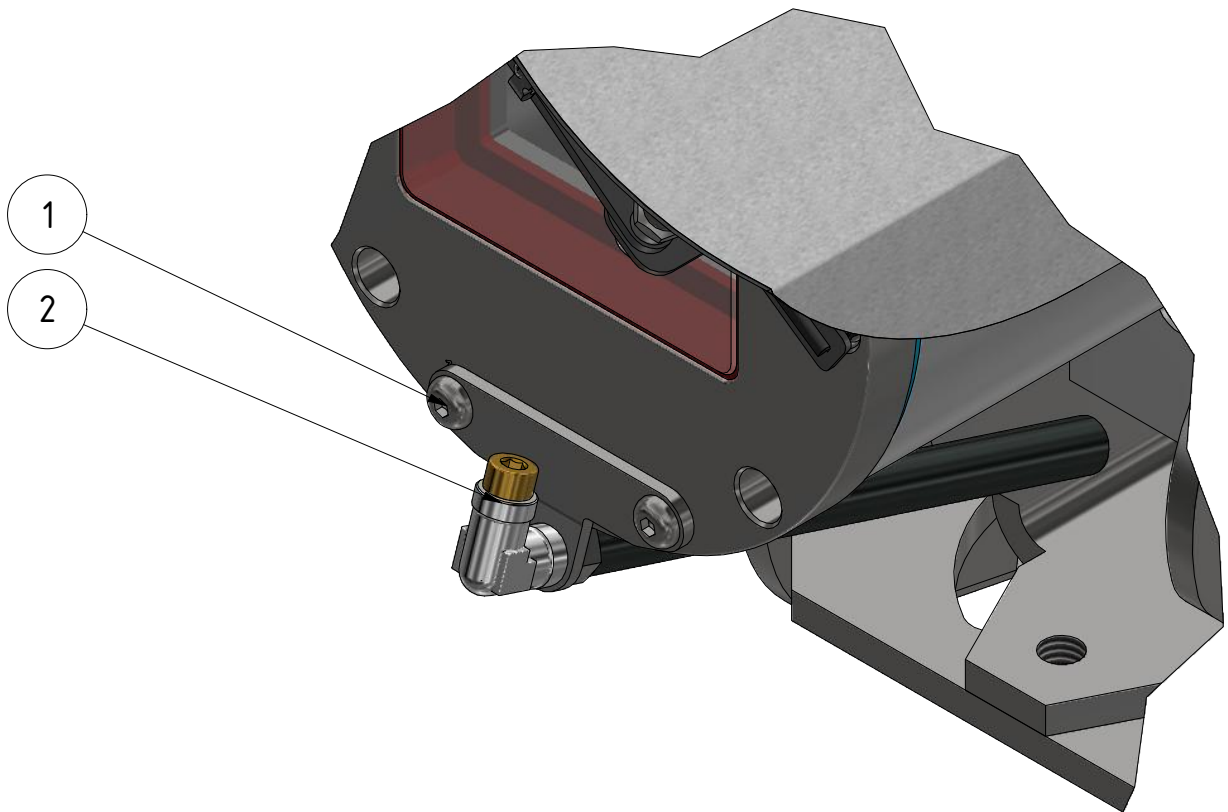
Please be careful when working at heights !

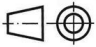

What you need:	
Allen Tourque wrench	2,5mm

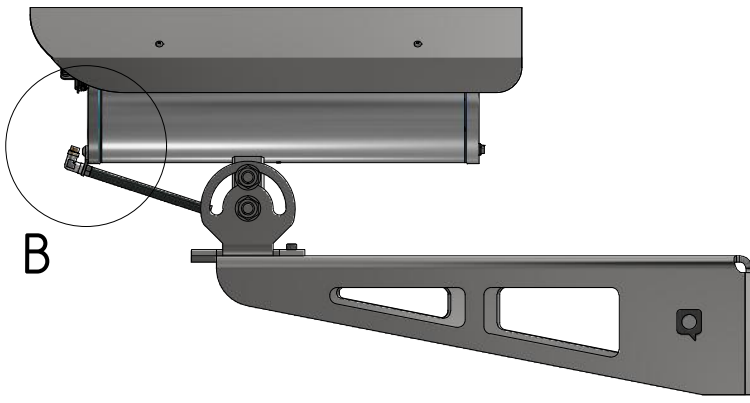
table of content		
obj.	qty.	part
1	2	M4x6 threaded bolt
2	1	Cleaning nozzle with hose package



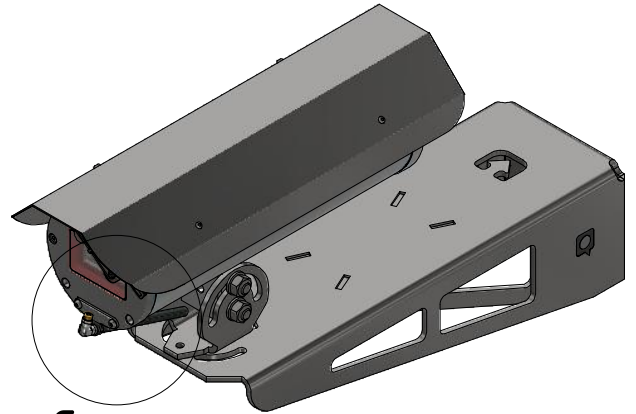
A (1 : 1)



					Scale: 1 : 6		
					Cleaning nozzle with hose package assembly instruction VA2.X...		
			Date	Name			
			26.11.2020	A. Kruse			
			Controlled				
			Norm				
 SAMCON Prozessleittechnik GmbH					(Drawingnumber) Doc.-ID: 200924-PZUMA-AK-Cleaning nozzle with hose package assembly instruction_rev.00.idw		
					2 A4		



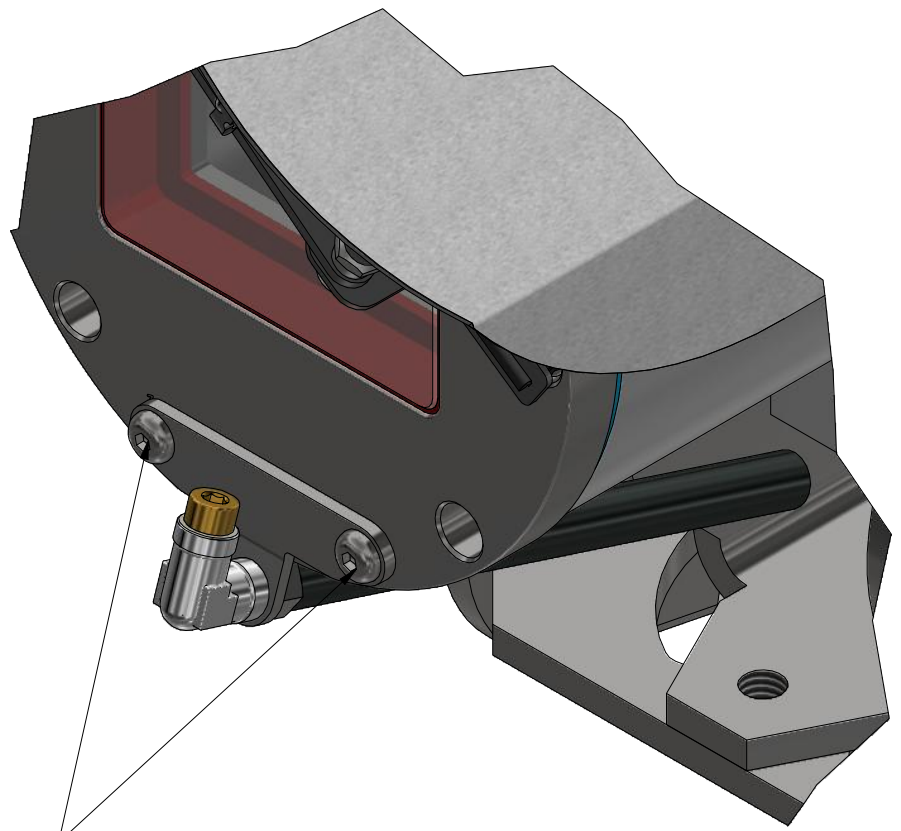
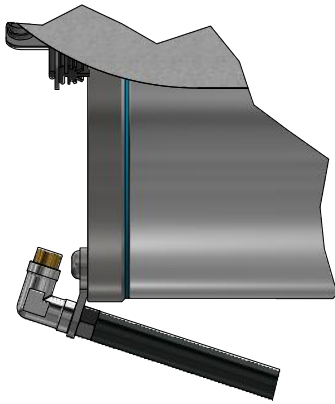
B



C

B (1 : 2)

C (1 : 1)



1.1Nm (use loctite 243)

Scale: 1 : 5

Date	Name
26.11.2020	A. Kruse
Controlled	
Norm	

Cleaning nozzle with hose package assembly instruction VA2.X...



SAMCON
Prozessleittechnik GmbH

(Drawingnumber)
Doc.-ID: 200924-PZUMA-AK-Cleaning nozzle with hose package assembly instruction_rev.00.idw

3

A4