

ExCam® e.Vario



Datasheet.

Ultra compact ATEX, IECEx & EAC-Ex certified Day/Night Camera

Feature-Highlights.

- ✓ ATEX, IECEx & EAC-Ex certified*
- ✓ Day & Night functionality
- ✓ Auto IR-cut filter
- ✓ Motorized varifocal lens (remote zoom)
- ✓ High light sensitivity 0.015 lx (sens-up x30) / F 1.3
- ✓ 1/2,8" Megapixel CMOS Sensor
- ✓ Dynamic PTC-Heater-Concept (-40°C)

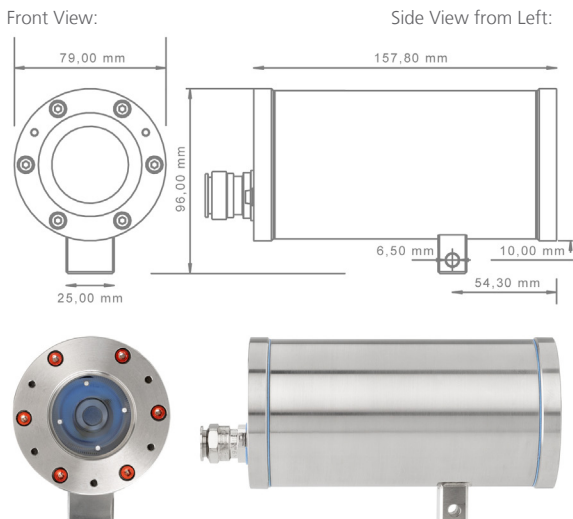
Zones*.

Group I (Mining)	ATEX / IECEx / EAC-Ex*		Group II (Gas & Dust)	ATEX / IECEx / EAC-Ex*				
Category	Ma	Mb	Zone	0	1	2	21	22
Suitable	✗	✗	Suitable	✗	✓	✓	✓	✓

*further certificates: see www.samcon.eu.

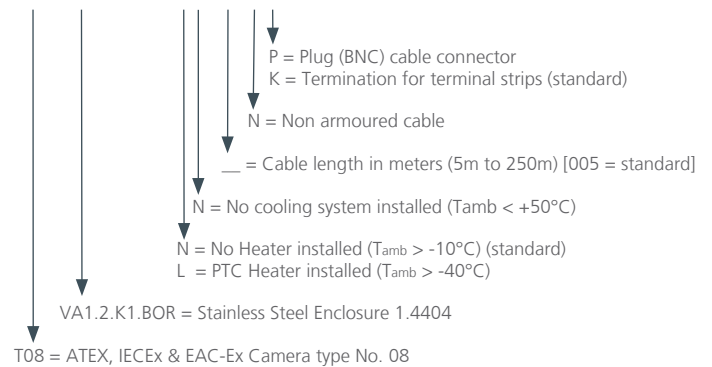
Dimension.

T08-VA1.2.K1.BOR



T08-Modelle.

T08-VA1.2.K1.BOR-X.N-XXX.N-X



Data.



Explosion protection

Declaration of conformity**:

IEC/EN GOST 60079-0, IEC/EN GOST 60079-1,
IEC/EN GOST 60079-14,...



Ex- Certificates:

TUEV-18-ATEX-8218X, IECEX-TUR-18.0023X
No. TC RU C-DE.HA65.B.01652/22, TUEV-22-UKEX-7137X



Ex- Marking Camera:

II 2G Ex db IIC T6 Gb

Explosion protection (gas):

II 2D Ex tb IIIC T80°C Db

Explosion protection (dust):



Mechanical characteristics



Housing material:

Stainless Steel 1.4404

Protection level:

IP66/68

Weight:

T08-VA1.2.K1.BOR...: 2840 g



Range of temperature

T08-VA1.2.K1.BOR-N.N-005.N-X:

-10°C to +50°C

T08-VA1.2.K1.BOR-L.N-005.N-X:

-40°C to +50°C



Electrical characteristics



Camera:

Power supply:

+14VDC to +30VDC

Input current:

120mA to 220mA

Max. Power:

2.64W

Heating:

Power supply:

+20VDC to +26VDC

Input current:

ab. 2000mA@24VDC

Max. power:

ab. 10W@-30°C, ab. 20W@-40°C

System cable SKA02

Outside diameter:

9.4mm

Bending radius:

Min. 150mm

Video:

1x75Ω Koax AWG 24, Cu shield

Power supply camera:

2x0.75mm²



Camera

Image sensor:

1/2.8" 2.1 Megapixel CMOS Sensor

Lens:

Motorized Zoom lens (2.7~12mm F=1.3)

Horizontal angle of view:

65° - 31.2°

Minimum illumination:

0.5 lx (colour); 0.1 lx (B/W), F 1.3; 0.015 lx (sens-up x30)

Shutter time:

PAL(1/25s - 1/50000s); NTSC(1/30s - 1/50000s)

Resolution / Quality:

1080p (1920 x 1080) 25fps/30fps

Signal-to-noise ratio:

≥50 dB

Signals:

AHD (standard) / TVI / CVI (1920x1080) (16:9)

FBAS 16:9 (4:3 [possible with extra accessories]) ***



Electronic functions

Electronic shutter

White balance [ATW/ AWC-Set/ Indoor/ Outdoor/ Manual/ AWB]

Backlight Compensation [WDR/ BLC/ HSBLC]

Defect Pixel Korrektur (DPC) [Live DPC/ White DPC/ Black DPC]

Automatic Gain Control (AGC) [1 ~ 15 Step]

Digital Noise Reduction (DNR) [2DNR/3DNR]

Defog function

Motion Detection (4 zone selectable)

Privacy Masking (4 zone selectable)

Protocol (AHD:A-CP/ TVI: HIKVISION-C/ CVI: HD-CVI)

Optional Equipment

AHD/TVI/CVI/FBAS/ to HDMI/VGA/FBAS Video-Converter (also for non-HD capable monitors)

RS-485 control panel for OSD-Controlling (for zoom and focus adjustment)

** Depending on model

*** requires additional accessories