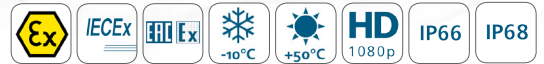


ExCam[®] miniTube



Datasheet

Ultra compact ATEX, IECEx & EAC-Ex certified Day/Night AHD-Camera

Feature-Highlights.

- ✓ ATEX, IECEx & EAC-Ex certified
- ✓ Day & Night Functionality
- ✓ Wide Dynamic Range (WDR)
- ✓ High Light Sensitivity 0,01 lx
- ✓ High Resolution 1920x1080 (Full HD)
- ✓ 1/2,9" 2.0Megapixel CMOS Sensor
- ✓ Protection Level IP66/68



Zones.

Group II (Gas & Dust)	ATEX / IECEx				
Zone	0	1	2	21	22
Suitable	✗	✓	✓	✓	✓

further certificates upon request

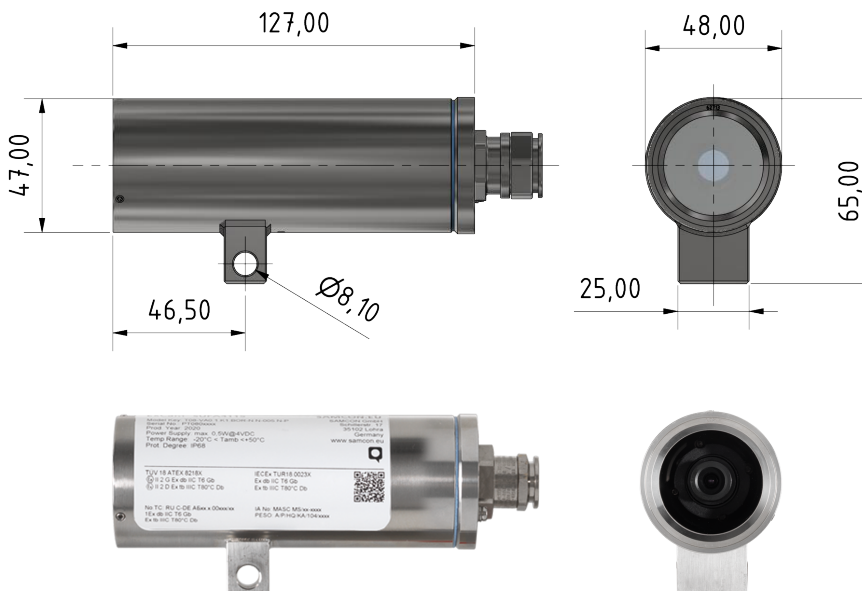
T08-Models.

T08-VA0.1.K1.BOR-N.N-XXX.N-X-0XX

↓ 080 = 80°@16/9 HAoV-Lens (standard)
 ↓ 056 = 46°@16/9 HAoV-Lens
 ↓ 041 = 41°@16/9 HAoV-Lens
 ↓ P = Plug (BNC) cable connector
 ↓ K = Termination for terminal strips (standard)
 ↓ N = Non armoured cable
 ↓ _ = Cable length in meters (5m to 250m) [005 = standard]
 ↓ N = No cooling system installed ($T_{amb} < +50^{\circ}C$)
 ↓ N = No heater installed ($T_{amb} > -10^{\circ}C$)
 ↓ VA0.1.K1.BOR = Ultra-Compact Stainless Steel Enclosure 1.4404
 ↓ T08 = ATEX, IECEx & EAC-Ex Camera type No. 08 (TÜV 18...)

Dimension.

T08-VA0.1.K1.BOR



Data.



Explosion protection

Declaration of conformity:

DIN EN/IEC 60079-0, DIN EN/IEC 60079-1,
DIN EN/IEC 60079-14,...



Ex- Certificates:

TUEV-18-ATEX-8218X, IECEx-TUR-18.0023X,
No. TC RU C-DE.HA65.B.01652/22, TUEV-22-UKEX-7137X



Ex- Marking:

II 2G Ex db IIC T6 Gb



Explosion protection (gas):

II 2D Ex tb IIIC T80°C Db



Mechanical characteristics

Housing material:

Stainless Steel 1.4404

Protection level:

IP66/68 (IEC/EN)



Weight:

0.6 kg



Range of temperature

-10°C to +50°C

Electrical characteristics

Power supply:

12VDC \pm 0.3 VDC

Typical Power Consumption:

1.2W



System cable SKA02

Outside diameter:

9.4mm

Bending radius:

Min. 150mm

Video:

1x75 Ω Coax AWG 24, Cu shield

Power supply camera:

2x0.75mm²



Camera

Sensor:

1/2,9" 2.0 Megapixel CMOS Sensor

Lens:

Fixed focal length 3.6mm (standard lens)

Horizontal angle of view:

80° (HD, 16/9 standard), optional 56° or 41°



Minimum Object Distance:

35 cm

Minimum illumination:

0.01 lx



Shutter settings:

AUTO 1/25s - 1/10000s;

Resolution / Quality:

1080p (1920 x 1080)

Signal-to-noise ratio:

\geq 52 dB

Signals:

AHD @ 2MP, Composite CVBS 16:9 (4:3 [possible with extra accessories]) *

Electronic functions

Electronic Shutter

Automatic Gain Control (ACG)

Backlight Compensation (WDR)

Digital Noise Reduction (DNR)

White Balance, Exposure

Optional Equipment

Video-Converter, AHD/TVI/CVI/FBAS/ to HDMI/VGA/FBAS, Multisignal-Video-Server (Video stream also for non-HD capable monitors),
4-Channel-Ethernet-Video-server, Wall Mount Bracket, Terminal Box, ...

* requires additional accessories