

ExCam® IPM2036



Datasheet.

Features.

- ✓ Broad Certification Landscape for **Hazardous Areas** (ATEX, IECEx, EAC-Ex ...)
- ✓ Deep Learning Processing Unit (DLPU) for **Artificial Intelligence (AI)** Applications
- ✓ **Day & Night** Functionality
- ✓ Built-in **IR LEDs and Optimized IR**
- ✓ High Resolution: **4 MP/QHD 1440p**
- ✓ High Light Sensitivity with **1/2.7" CMOS Sensor**
- ✓ **Arctic-Temperatures** (-60°C)
- ✓ Protection Level of **IP66/68** (IEC 60529)
- ✓ Zipstream and Videocompression H.265
- ✓ Optional with cool.Jacket for Use at +120°C

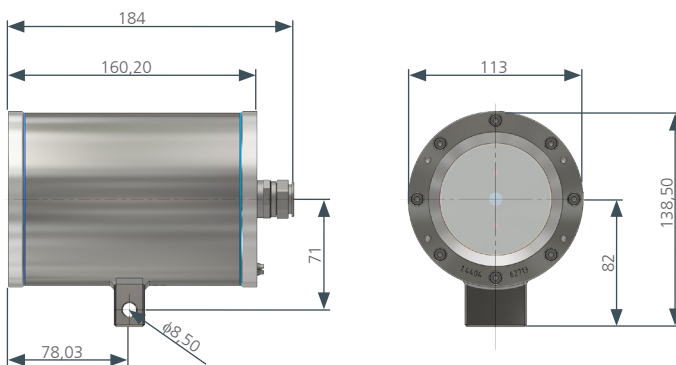


Zones.

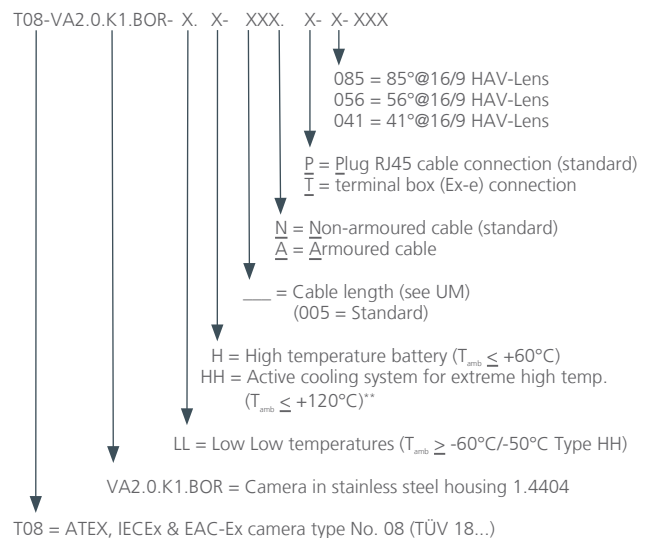
Group I (Mining)	ATEX / IECEx / EAC-Ex		Group II (Gas & Dust)	ATEX / IECEx / EAC-Ex				
Zone	Ma	Mb	Zone	0	1	2	21	22
For use in	✗	✓	For use in	✗	✓	✓	✓	✓

More certificates upon request.

Dimensions [mm].



Models.



Lens Options

T08-VA2.0.K1.BOR-X.X-XXX.X-X-085 (wide)
 T08-VA2.0.K1.BOR-X.X-XXX.X-X-056 (normal)
 T08-VA2.0.K1.BOR-X.X-XXX.X-X-041 (tele)

Megapixel lens 3.6mm
 Megapixel lens 6.0mm
 Megapixel lens 8.0mm

F1.8 IR HAoV@16/9=85° (standard)
 F1.9 IR HAoV@16/9=56°
 F1.8 IR HAoV@16/9=41°

Data.



Explosion protection

Declaration of conformity:

DIN EN/IEC/GOST... 60079-0, DIN EN/IEC/GOST... 60079-1,
DIN EN/IEC/GOST... 60079-7, DIN EN/IEC/GOST... 60079-31
TUEV-18-ATEX-8218X, IECEx-TUR-18.0023X,
No. TC RU C-DE.HA65.B.01652/22, TUEV-22-UKEX-7137X



Ex- Certificates:



Ex- Marking of the camera:

Explosion protection (gas):
Explosion protection (dust):
Explosion protection (mining):
Ex- Marking of the terminal box:
Explosion protection (gas):
Explosion protection (dust):

II 2G Ex db IIC T5 Gb
II 2D Ex tb IIIC T95°C Db
I M2 Ex db I Mb***

II 2G Ex eb IIC T5 Gb
II 2D Ex tb IIIC T95°C Db (IP66)



Mechanical characteristics

Protection level (camera/terminal box):
Weight:

Camera: stainless steel (AISI 316L/1.4404), terminal box: Polyester resin
IP66/68 / IP66 (IEC/EN 60529)
ca.5 kg



Range of temperature

Type ...LL.H:
Type ...LL.HH:

-60°C bis +60°C
-50°C bis +120°C**



Power supply

Type ...LL.H:

PoE, IEEE 802.3af/802.3at Type 1 Class 3, typical 5 W, max. 12.95 W



Connection cable type

Outside diameter:

WWW.SAMCON.EU ... Cat.6 / 4x2xAWG23/1 ...; (.../AWG24/7 for -LL.HH-)
9 mm - 17 mm (6.6 mm for type -LL.HH-)



Lens

Type:

IR corrected fixed Iris, fixed focus lens;
with automatically removable IR-cut filter
0.5 m
Color: 0.18 lux at 50 IRE F2.1, B/W: 0.04 lux at 50 IRE F2.1
0 lux with IR illumination on (max. range of reach approx. 2m)****

Minimum focus distance:
Minimum illumination:



Camera

Image sensor:
Shutter speed:
Video compression:
Resolution:
Frame rate:
Video streaming:

1/2.7" progressive scan RGB CMOS
1/38500 s to 1/5 s
H.264 (MPEG-4 Part 10/AVC) Main and High Profiles, Motion JPEG, H.265 (MPEG-H Part 2/HEVC) Main Profile
2304x1728 to 320x240 (4:3) / 2668x1512 (16:9)
Up to 25/30 fps (60/50 Hz)
Multiple, individually configurable streams in H.264, H.265 and Motion JPEG
Axis Zipstream technology in H.264 and H.265
Controllable frame rate and bandwidth, VBR/ABR/MBR H.264/H.265
Compression, contrast, brightness, sharpness, WDR: up to 115 dB depending on scene, white balance,
color, exposure control, motion-adaptive exposure, text and image-overlay,
privacy masks, mirroring of images, rotation: 0°, 90°, 180°, 270° including Corridor Format
Digital PTZ
Support for microSD/microSDHC/microSDXC card (card not included in scope of delivery);
Support for recording to network-attached storage (NAS)

Image settings:

Pan/Tilt/Zoom:
Edge storage:



Network

Security:

Password protection, IP address filtering, HTTPS encryption,
Digest authentication, user access log, ...
IPv4/v6, HTTP, HTTPS, QoS Layer 3 DiffServ, FTP, SMTP,
Bonjour, UPnP, SNMPv1/v2c, v3(MIB-II), DNS, DynDNS, NTP, RTSP, RTP, TCP, UDP, IGMP, etc...

Supported protocols:



System integration

Application programming interface:

Open API for software integration, including VAPIX® and AXIS Camera Application Plattform;
Specifications at www.axis.com; One-click cloud connection;
ONVIF® Profile S, ONVIF® Profile T und ONVIF® Profile G, specification at onvif.org
Deep Learning Processor Unit (DLPU), AXIS Object Analytics, AXIS Video Motion Detection,
active tampering alarm, support for AXIS Camera Application Plattform enabling installation of
third-party applications, see www.axis.com/acap

Included analytics:

Event trigger:

Event actions:

Analytics; I/O: manual trigger; edge storage of events, supervised external inputs, virtual inputs via API
Pre- and post-alarm video or image buffering for recording or upload
Upload of images or video clips: FTP, SFTP, HTTP, HTTPS, network share and E-Mail
Notification: E-Mail, HTTP, HTTPS, TCP and SNMP trap
Event data
Pixel counter, level grid

Data streaming:

Built-in installation aids:

Optional accessories

Wall Mount Bracket (WMB), Pole mount Bracket (PMB), Weather Protection Roof (WPR),
non-armoured cable kits, armoured cable kits, ExConnection Rails, ...

* = Illustrations show models with accessories that are subjected to an extra charge.

** = This model requires the SAMCON cool.Jacket. The temperature class must be reduced to T3. The cooling water according to the requirements must be available or be produced.

*** = Mining only for variants with armoured cable and plug termination

**** = Range of reach of IR-illumination depending on scene (low light). See test report on IR-illumination or Usermanual.

