

# ExCam® IPP1377



## Datasheet.

### Features.

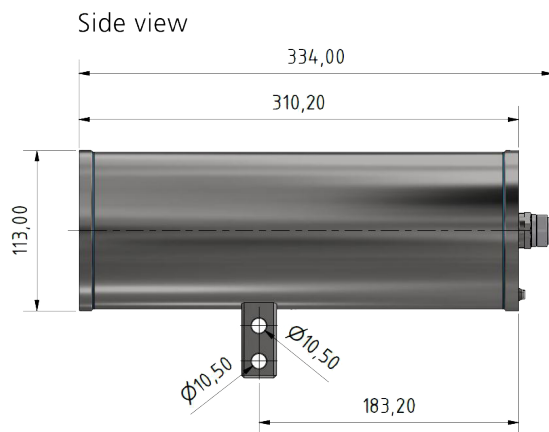
- ✓ Broad Certification Landscape for **Hazardous Areas** (ATEX, IECEx & EAC-Ex and more)
- ✓ **Arctic-Temperature-Control** (-60°C)
- ✓ **Single-Cable-Solution** (PoE / 24VDC)
- ✓ Protection Level of **IP66/68** (IEC 60529)
- ✓ High Resolution: **2592x1944** (5 MP bei 25/30 fps)
- ✓ Powerful Remote-Zoom-Objektiv (i-CS)
- ✓ **Lightfinder** and **WDR** Technologies
- ✓ Easy **VMS** Integration
- ✓ **Vandal-proof** stainless steel enclosure

### Zones.

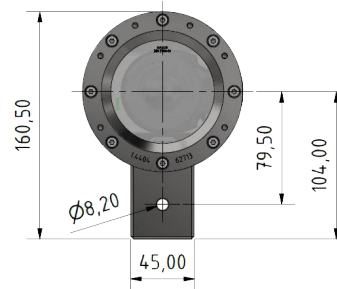
Group II (Gas & Dust)	ATEX / IECEx / EAC-Ex				
Zone	0	1	2	21	22
For use in	✗	✓	✓	✓	✓

More certificates on request

### Dimensions [mm].



Front view



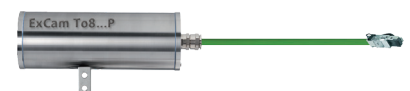
### Models.

T08-VA.2.3.K3.BOR2-X.X-XXX.X-X

↓  
 P = Plug RJ45 cable connector (standard)  
 T = Terminal box (Ex-e) connection  
 N = Non armoured cable (standard)  
 A = Armoured cable  
 \_\_\_ = Cable length (see UM) (005 = standard)  
 H = High temp. battery installed ( $T_{amb} \leq +60^{\circ}\text{C}$ )  
 N = Normal temp., no heater installed ( $T_{amb} \geq -10^{\circ}\text{C}$ )  
 LL = Low Low temp., PTC heater installed ( $T_{amb} \geq -60^{\circ}\text{C}$ )  
 VA2.3.K3.BOR2 = Camera in stainless steel enclosure 1.4404  
 T08 = ATEX, IECEx & EAC-Ex camera type No. 08 (TÜV 18...)

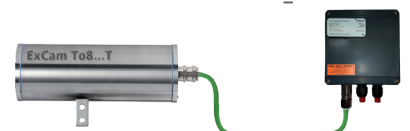
### Plug Termination.

T08-VA2.3.K3.BOR2-X.X-XXX.X-P



### Terminal Box Termination.

T08-VA2.3.K3.BOR2-X.X-XXX.X-T



## Data.



### Explosion protection

Declaration of conformity:

DIN EN/IEC/GOST... 60079-0, DIN EN/IEC/GOST... 60079-1,  
DIN EN/IEC/GOST... 60079-7, DIN EN/IEC/GOST... 60079-31  
TUEV-18-ATEX-8218X, IECEx-TUR-18.0023X,  
No. TC RU C-DE.HA65.B.01652/22, TUEV-22-UKEX-7137X



Ex- Certificates:

II 2G Ex db IIC T6 Gb\*\*  
II 2D Ex tb IIIC T80°C Db\*\*  
I M2 Ex db I Mb\*\*\*



Ex- Marking of the camera:  
Explosion protection (gas):  
Explosion protection (dust):  
Explosion protection (mining):  
Ex- Marking of the junction box:

II 2G Ex eb IIC T5 Gb  
II 2D Ex tb IIIC T95°C Db (IP66)



Explosion protection (gas):  
Explosion protection (dust):



### Mechanical Characteristics

Protection level (Cam/TB):  
Weight:

Camera: Stainless Steel (AISI 316L/1.4404), TB: Polyester Resin  
IP66/68 / IP66 (IEC/EN 60529)  
7.8 kg



### Range of temperature

Type ...N.H:  
Type ...LL.H:  
Storage conditions:

-60°C to +60°C  
-10°C to +60°C  
-60°C to +60°C\*\*\*\*(T5)  
-40°C to +65°C, non-condensing; (put into operation at T > 0°C)



### Camera power supply Heater power supply

IEEE 802.3af/802.3at Type 1 Class 3, typical 5.4 W, max 10.7 W  
40W@24VDC@-60°C (see user manual)

### Connection cable type

Outside diameter:

WWW.SAMCON.EU (A)SKDP03-T Cat.6 / 4x2xAWG23/1 GN J/W (3G1.5)  
12.4mm ± 0.3mm/ 15.5mm ± 0.6mm



### Lens

Type:

IR corrected, i-CS-mount lens; 2.8 - 8.5 mm, F1.2  
Varifocal 2.8 – 8 mm, F1.2

Field of view:  
Minimum illumination:

HfFoV: 103° – 38°, VfoW: 81° – 28°  
Color: 0.13 lux at 50 IRE F1.2, B/W: 0.03 lux at 50 IRE F1.2



### Camera

Image sensor:  
Shutter time:  
Videocompression:

1/2.7" progressive scan RGB CMOS  
With WDR: 1/33500 s to 1/5 s; without WDR: 1/5000 s to 1/5 s  
H.264 (MPEG-4 Part 10/AVC) Baseline, Main and High Profiles  
H.265 (MPEG-HPart2/HEVC) Motion JPEG  
2592x1944 (5MP) to 160x90 (16:9), 2688x1512 (4MP) to 160x90 (16:9),  
1280x720 (HDTV 720p) to 160x90 (16:9), 2592x1944 to 160x120 (4:3)  
Up to 30/25 fps (60/50 Hz) in all resolutions  
Multiple, individually configurable streams in H.264, H.265 and Motion JPEG  
Axis Zipstream technology in H.264 and H.265



Resolution:

Frame rate:  
Video streaming:

Image settings:

Controllable frame rate and bandwidth, VBR/ABR/MBR H.264/H.265, Video streaming indicator  
Saturation, contrast, brightness, sharpness, Forensic WDR, white balance, exposure mode, exposure zones,  
compression, mirroring of images, electronic image stabilization, barrel distortion correction, text and image  
overlay, dynamic text and image overlay, privacy masks,  
Rotation: 0°, 90°, 180°, 270° including Corridor Format  
Remote-Zoom, Remote-Focus and digital PTZ  
SD/SDHC/SDXC slot supporting memory card up to 64 GB (card not included);  
Support for recording to dedicated network-attached storage (NAS)

Pan/Tilt/Zoom:  
Edge storage:



### Network

Security:  
Supported protocols:

Password protection, IP address filtering, HTTPS encryption, digest authentication, user access log  
IPv4/v6, HTTP, HTTPS, QoS Layer 3 DiffServ, FTP, SMTP, Bonjour, UPnP, SNMPv1/v2c, v3(MIB-II),  
DNS, DynDNS, NTP, RTSP, RTP, TCP, UDP, IGMP, etc...



### System integration

Application Programming Interface:

Analytics Included:

Event triggers:  
Event actions:

Data streaming:  
Built-in installation aids:

Open API for software integration, including VAPIX® and AXIS Camera Application Platform;  
specifications at [www.axis.com](http://www.axis.com); AXIS Video Hosting System (AVHS) with One-Click Connection;  
ONVIF® Profile S and ONVIF® Profile G, specification at [onvif.org](http://onvif.org)  
AXIS Video Motion Detection, active tampering alarm, gatekeeper Supported AXIS Perimeter Defender,  
AXIS Cross Line Detection Support for AXIS Camera Application Platform enabling installation of  
third-party applications, see [www.axis.com/acap](http://www.axis.com/acap)  
Analytics, edge storage events, supervised external input, edge storage events, virtual inputs through API  
Pre- and post-alarm video buffering  
File upload: FTP, SFTP, HTTP, HTTPS, network share and email  
Notification: email, HTTP, HTTPS, TCP and SNMP trap  
Event data  
Pixel counter

### Optional accessories

Wall mount bracket, Pole mount bracket, Ceiling mount bracket, Weatherprotectionroof (WPR-VA2.3)  
Terminal box ExtB-3, Non-armoured cable kits, Armoured cable kits, ExConnection Rails, ...

- \* = illustrations show models with accessories that are subjected to an extra charge
- \*\* = depending on model (see User Manual)
- \*\*\* = mining only for variants with armoured cable and plug termination
- \*\*\*\* = LL-models downgrade to T5

