

ExCam® IPQ1645



Datasheet.

Features.

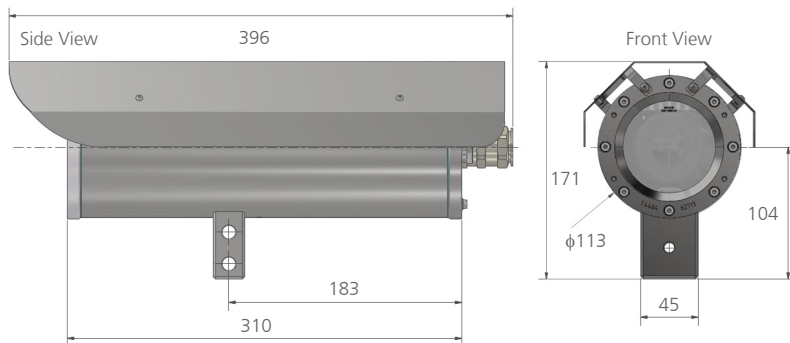
- ✓ Broad Certification Landscape for **Hazardous Areas** (ATEX, IECEx & EAC-Ex and more)
- ✓ **Arctic-Temperature-Control** (-60°C)
- ✓ **Single-Cable-Solution** (PoE / 24VDC)
- ✓ Protection Level of **IP66/68** (IEC 60529)
- ✓ High Resolution: **1920x1080 (HDTV1080p at 100/120 fps)**
- ✓ Powerful Remote Zoom and Focus Lens (supports i-CS)
- ✓ High Light Sensitivity with **1/2" CMOS Sensor**
- ✓ **Lightfinder** and **WDR** Technologies
- ✓ Easy **VMS Integration**
- ✓ **Electronic Image Stabilization (EIS)**
- ✓ The optional Enclosure Cooling System **cool.Jacket** allows the Use at High Temperatures

Zones.

Group II (Gas & Dust)	ATEX / IECEx / EAC-Ex				
Zone	0	1	2	21	22
For use in	✗	✓	✓	✓	✓

More certificates upon request .

Dimensions [mm].



Models.

T08- VA.2.3.K3.BOR2- X.X- XXX.X- X

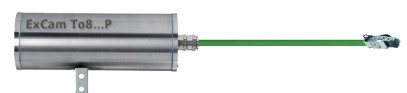
P = Plug RJ45 cable connector (standard)
 T = Terminal box (Ex-e) connection
 N = Non armoured cable (standard)
 A = Armoured cable
 ___ = Cable length (see UM) (005 = standard)
 H = High temp. battery installed ($T_{amb} \leq +60^{\circ}\text{C}$)
 HH = Active cooling system allows high temp. ($T_{amb} \leq +130^{\circ}\text{C}$)**
 N = Normal temp., no heater installed ($T_{amb} \geq -10^{\circ}\text{C}$)
 LL = Low Low temp., PTC heater installed ($T_{amb} \geq -60^{\circ}\text{C}$)

VA2.3.K3.BOR2 = Camera in stainless steel enclosure 1.4404

T08 = ATEX, IECEx & EAC-Ex camera type No. 08 (TÜV 18...)

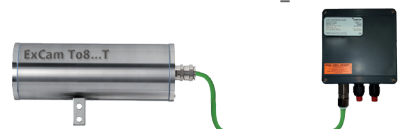
Plug Termination.

T08- VA2.3.K3.BOR2-X.X-XXX.X-P



Terminal Box Termination.

T08- VA2.3.K3.BOR2-X.X-XXX.X-T



Data.



Explosion protection

Declaration of conformity:



Ex- Certificates:



Ex- Marking of the camera:

Explosion protection (gas):

Explosion protection (dust):

Explosion protection (mining):

Ex- Marking of the junction box:

Explosion protection (gas):

Explosion protection (dust):



Mechanical Characteristics (CAM/TB)

Protection level (CAM/TB):

Weight:



Range of temperature



Type ...N.H:

Type ...LL.H:

Type ...N.HH:



Camera power supply

Heater power supply



Connection cable type

Outside diameter:



Lens

Type:

Field of view:

Minimum illumination:



Camera

Image sensor:

Shutter time:

Videocompression:

Resolution:

Frame rate:

Video streaming:



Image settings:

Pan/Tilt/Zoom:

Edge storage:



Network

Security:

Supported protocols:



System integration

Application Programming Interface:

Analytics Included:

Event triggers:

Event actions:

Data streaming:

Built-in installation aids:

Optional accessories

DIN EN/IEC/GOST... 60079-0, DIN EN/IEC/GOST... 60079-1,
DIN EN/IEC/GOST... 60079-7, DIN EN/IEC/GOST... 60079-31
TUEV-18-ATEX-8218X, IECEx-TUR-18.0023X,
No. TC RU C-DE.АБ.61.В.00381/19, IA No: MASC MS/18-3256X
PESO: A/P/HQKA/104/5735

II 2G Ex db IIC T5 Gb*

II 2D Ex tb IIIC T80°C Db*

I M2 Ex db I Mb****

II 2G Ex eb IIC T5 Gb

II 2D Ex tb IIIC T95°C Db (IP66)

Stainless Steel (AISI 316L/1.4404), Polyester resin

IP66/68, IP66 (IEC/EN 60529)

ca.11 kg*

-60°C to +130°C*

-10°C bis +60°C

-60°C bis +60°C****(T5)

-10°C bis 130°C**

IEEE 802.3af/802.3at Type 1 Class 3, typical 4.5 W, max 9.1 W
40W@24VDC@-60°C (see user manual)

WWW.SAMCON.EU ... Cat.6 / 4x2xAWG23/1 ...*

9 mm - 17 mm*

IR corrected i-CS lens; 3.9 – 10.0 mm, F1.5

HFoV: 85° – 42°, VFoW: 47° – 23°

Color: 0.03 lux at 50 IRE F1.5, B/W: 0.01 lux at 50 IRE F1.5

1/2" progressive scan RGB CMOS

1/100000 s to 2 s

H.264 (MPEG-4 Part 10/AVC) Baseline, Main and High Profiles Motion JPEG

1920x1080 to 320x180

Up to 100/120 fps (60/50 Hz) in 1920x1080 (no WDR)

Multiple, individually configurable streams in H.264 and Motion JPEG

Axis Zipstream technology in H.264

Controllable frame rate and bandwidth, VBR/MBR H.264

Saturation, contrast, brightness, sharpness, Forensic WDR, white balance, exposure mode, exposure zones, compression, mirroring of images, electronic image stabilization, barrel distortion correction, text and image overlay, dynamic text and image overlay, privacy masks,

Rotation: 0°, 90°, 180°, 270° including Corridor Format

Remote Zoom and Remote Focus

SD/SDHC/SDXC slot supporting memory card up to 64 GB (card not included);

Support for recording to dedicated network-attached storage (NAS)

Password protection, IP address filtering, HTTPS encryption, digest authentication, user access log

IPv4/v6, HTTP, HTTPS, QoS Layer 3 DiffServ, FTP, SMTP,

Bonjour, UPnP, SNMPv1/v2c, v3(MIB-II),

DNS, DynDNS, NTP, RTSP, RTP, TCP, UDP, IGMP, etc...

Open API for software integration, including VAPIX® and AXIS Camera Application Platform; specifications at www.axis.com; AXIS Video Hosting System (AVHS) with One-Click Connection; ONVIF® Profile S and ONVIF® Profile G, specification at onvif.org

AXIS Video Motion Detection, active tampering alarm, gatekeeper Supported AXIS Perimeter Defender, AXIS Cross Line Detection Support for AXIS Camera Application Platform enabling installation of third-party applications, see www.axis.com/acap

Analytics, edge storage events, supervised external input, edge storage events, virtual inputs through API

Pre- and post-alarm video buffering

File upload: FTP, SFTP, HTTP, HTTPS, network share and email

Notification: email, HTTP, HTTPS, TCP and SNMP trap

Event data

Pixel counter

Wall mount bracket, Pole mount bracket, Ceiling mount bracket, Non-armoured cable kits, Armoured cable kits, ExConnection Rails, ...

* = depending on model (see User Manual)

** = These model requires the SAMCON cool.Jacket. The temperature class must be reduced to T3.The cooling water according to the requirements must be available or be produced.

*** = illustrations show models with accessories that are subjected to an extra charge

**** = mining only for variants with armoured cable and plug termination

***** = LL-models downgrade to T5

