

# ExCam® IPQ1656



## Datasheet.

### Features.

- ✓ Broad Certification Landscape for **Hazardous Areas** (ATEX, IECEx, INMETRO, EAC-Ex and more)
- ✓ **Deep Learning Processing Unit (DLPU)** for Artificial Intelligence (AI) Applications
- ✓ Granular **Object Classification**
- ✓ Ki-based **Dynamic Privacy Shield**
- ✓ High Resolution: **4MP (QuadHD)** at up to 60 fps)
- ✓ Powerful Remote Zoom and Focus Lens (supports i-CS)
- ✓ High Light Sensitivity with **1/1.8" CMOS Sensor**
- ✓ **Arctic-Temperature-Control** (-60°C)
- ✓ **Single-Cable-Solution** (PoE / 24VDC)
- ✓ Protection Level of **IP68** (IEC 60529)
- ✓ **Electronic Image Stabilization (EIS)**

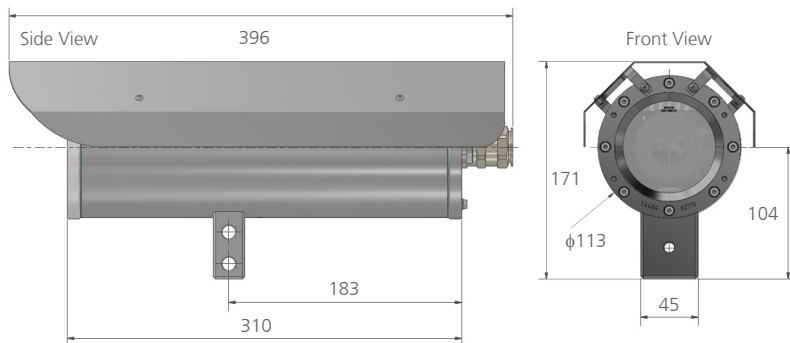


### Zones.

Group II (Gas & Dust)	ATEX / IECEx / ...				
Zone	0	1	2	21	22
For use in	✗	✓	✓	✓	✓

More certificates upon request .

### Dimensions [mm].



### Models.

T08- VA.2.3.K3.BOR2- X.X- XXX.X- X

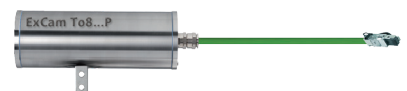
P = Plug RJ45 cable connector (standard)  
 T = Terminal box (Ex-e) connection  
 N = Non armoured cable (standard)  
 A = Armoured cable  
 \_\_\_ = Cable length (see UM) (005 = standard)  
 H = High temp. battery installed ( $T_{amb} \leq +60^{\circ}C$ )  
 N = Normal temp., no heater installed ( $T_{amb} \geq -20^{\circ}C$ )  
 LL = Low Low temp., PTC heater installed ( $T_{amb} \geq -60^{\circ}C$ )\*

VA2.3.K3.BOR2 = Camera in stainless steel enclosure 1.4404

T08 = ATEX, IECEx & EAC-Ex camera type No. 08 (TÜV 18...)

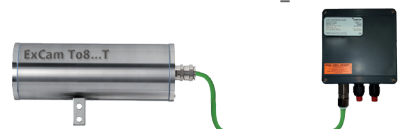
### Plug Termination.

T08- VA2.3.K3.BOR2-X.X-XXX.X-P



### Terminal Box Termination.

T08- VA2.3.K3.BOR2-X.X-XXX.X-T



## Data.

# ExCam® IPQ1656



Schillerstrasse 17  
D-35102 Lohra-Altenvers

info@samcon.eu  
T: +49 6426 9231-0  
F: +49 6426 9231-31



### Explosion protection

Declaration of conformity:



Ex- Certificates:



Ex- Marking of the camera:



Explosion protection (gas):



Explosion protection (dust):



Explosion protection (mining):



Ex- Marking of the junction box:



Explosion protection (gas):



Explosion protection (dust):



### Mechanical Characteristics (CAM/TB)

Protection level (CAM/TB):

Weight:



### Range of temperature

Type ...N.H:



Type ...LL.H:



### Camera power supply Heater power supply



### Connection cable type

Outside diameter:



### Lens

Type:

Field of view:

Minimum illumination:

Minimum Object Distance:



### Camera

Image sensor:

Shutter time:



Videocompression:

Resolution:

Frame rate:

Video streaming:

Multi-View Streaming:

Image settings:

Pan/Tilt/Zoom:

Edge storage:



### Network

Security:

Supported protocols:



### System integration

Application Programming Interface:

Analytics Included:

Event triggers:

Event actions:

Data streaming:

Built-in installation aids:

### Optional accessories

DIN EN/IEC/GOST... 60079-0, DIN EN/IEC/GOST... 60079-1,  
DIN EN/IEC/GOST... 60079-7, DIN EN/IEC/GOST... 60079-31  
TUEV-18-ATEX-8218X, IECEx-TUR-18.0023X,  
INMETRO TUEV 23.0363X, No. TC RU C-DE.HA65.B.01652/22,  
TUEV-22-UKEX-7137X, PESO: A/P/HQ/KA/104/5735,  
IA No.: MASC MS/18-3256X

II 2G Ex db IIC T6 Gb\*\*  
II 2D Ex tb IIIC T80°C Db\*\*  
I M2 Ex db I Mb\*\*\*

II 2G Ex eb IIC T5 Gb  
II 2D Ex tb IIIC T95°C Db

Stainless Steel (AISI 316L/1.4404), Polyester resin  
IP66/68, IP66 (IEC/EN 60529)  
7.9 kg

-20°C bis +60°C  
-60°C bis +60°C

IEEE 802.3af/802.3at Type 1 Class 3, typical 5.1 W, max 8.2 W  
40W@24VDC@-60°C (see user manual)

WWW.SAMCON.EU ... Cat.6 / 4x2xAWG23/1 ...  
9 mm - 17 mm

IR corrected i-CS lens; 3.9 – 10 mm, F1.5  
HfOV: 100° – 47°, VfoW: 63° – 27°  
Color: 0.05 lux at 50 IRE F1.5, B/W: 0.01 lux at 50 IRE F1.5 (at 25/30 fps with WDR and Lightfinder)  
Color: 0.1 lux at 50 IRE F1.5, B/W: 0.02 lux at 50 IRE F1.5 (at 50/60 fps with Lightfinder)  
1 cm

1/1.8" progressive scan RGB CMOS  
1/47500 s to 1 s  
H.264 (MPEG-4 Part 10/AVC) Baseline, Main and High Profiles,  
H.265 (MPEG-H Part 2/HEVC) Main Profile, Motion JPEG  
16:9 2688x1512 QuadHD to 160x90; 4:3 2016x1512 to 160x120  
Up to 60/50 fps (60/50 Hz) in all resolutions (no WDR); Up to 30/25 fps (60/50 Hz) in all resolutions  
Multiple, individually configurable streams in H.264, H.265 and Motion JPEG; Axis Zipstream technology  
in H.264 and H.265; Controllable frame rate and bandwidth, VBR/ABR/MBR H.264/H.265  
Up to 8 individually cropped out view areas  
Saturation, contrast, brightness, Forensic WDR, white balance, day/night threshold, tone mapping,  
exposure mode, exposure zones, defogging, electronic image stabilization, compression,  
barrel distortion correction, dynamic text and image overlay, polygon privacy masks, mirroring of images,  
rotation: 0°, 90°, 180°, 270° including Corridor Format  
Digital PTZ, preset positions, uploadable PTZ driver, Remote Zoom and Remote Focus  
SD/SDHC/SDXC slot supporting memory card (card not included);  
Support for recording to dedicated network-attached storage (NAS)

IEE 802.1X (EAP-TLS, PEAP-MSCHAPv2), IEEE 802.1AR, HTTPS/HSTS, TLS v1.2/v1.3, Network Time Security  
(NTS), X.509 Certificate PKI, host-based firewall, signed firmware, brute force delay protection,  
digest authentication, password protection, AXIS Edge Vault, ...  
IPv4/v6, USGv6, HTTP, HTTPS, HTTP/2, TLS, QoS Layer 3 DiffServ, FTP, SFTP, CIFS/SMB, SMTP,  
Bonjour, UPnP, SNMPv1/v2c, v3(MIB-II), DNS, DynDNS, NTP, NTS, RTSP, RTP, TCP, UDP, IGMP, etc...

Open API for software integration, including VAPIX® and AXIS Camera Application Platform;  
specifications at [www.axis.com](http://www.axis.com); AXIS Video Hosting System (AVHS) with One-Click Connection;  
ONVIF® Profile S, ONVIF® Profile M, ONVIF® Profile T and ONVIF® Profile G, specification at [onvif.org](http://onvif.org)  
Deep Learning Processing Unit (DLPU), AXIS Object Analytics, AXIS Motion Guard, AXIS Loitering Guard,  
AXIS Video Motion Detection, active tampering alarm, audio detection, gatekeeper Supported AXIS  
Perimeter Defender, AXIS Cross Line Detection, Support for AXIS Camera Application Platform enabling  
installation of third-party applications, see [www.axis.com/acap](http://www.axis.com/acap)  
Analytics, edge storage events, supervised external input, edge storage events, virtual inputs through API  
Pre- and post-alarm video buffering  
File upload: FTP, SFTP, HTTP, HTTPS, network share and email  
Notification: email, HTTP, HTTPS, TCP and SNMP trap  
Event data  
Remote zoom and focus, remote back focus, leveling assistant, pixel counter

Wall mount bracket, Pole mount bracket, Ceiling mount bracket,  
Non-armoured cable kits, Armoured cable kits, ExConnection Rails, ...

\* = illustrations show models with accessories that are subjected to an extra charge

\*\* = for models with heater the temperature class has to be downgraded to T5

\*\*\* = mining only for variants with armoured cable and plug termination

© SAMCON GmbH All rights and technical changes reserved. No liability for wrong or missing data