

ExCam® IPQ1715



Datasheet.

Features.

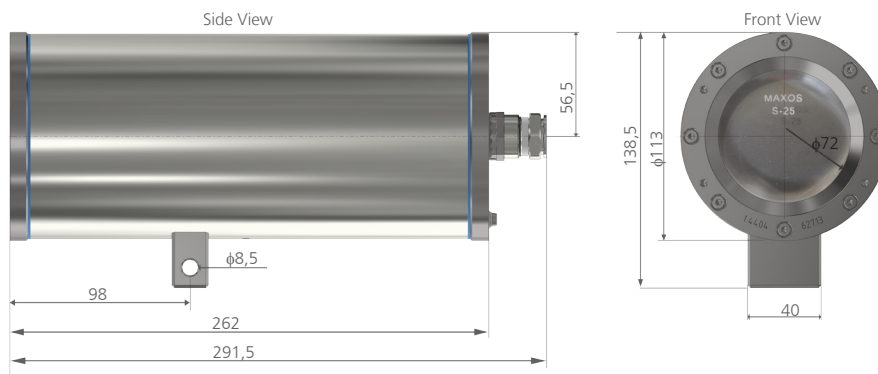
- ✓ Broad Certification Landscape for **Hazardous Areas** (ATEX, IECEx & EAC-Ex ...)
- ✓ **Deep Learning Processing Unit (DLPU)** for Artificial Intelligence (AI) Applications
- ✓ Granular **Object Classification & Motion Detection**
- ✓ High Resolution: **1920x1080 (HDTV1080p at 50/60 fps)**
- ✓ Powerful **Motor-Zoom and Auto-Focus Lens (21xoptical)**
- ✓ High Light Sensitivity with **1/2.8" CMOS Sensor**
- ✓ **Arctic-Temperature-Control (-60°C)**
- ✓ **Forensic WDR & Lightfinder Technology**
- ✓ Protection Level of **IP66/68 (IEC 60529)**
- ✓ **Electronic Image Stabilization (EIS)**
- ✓ **Optional Enclosure Cooling System** allows Use at +120°C

Zones.

Group II (Gas & Dust)	ATEX / IECEx / EAC-Ex				
Zone	0	1	2	21	22
For use in	✗	✓	✓	✓	✓

More certificates upon request .

Dimensions [mm].



Models.

T08- VA.2.2.K1.BOR- X.X- XXX.X- X

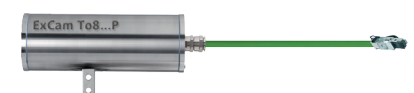
P = Plug RJ45 cable connector (standard)
 T = Terminal box (Ex-e) connection
 N = Non armoured cable (standard)
 A = Armoured cable
 ___ = Cable lenght (see UM) (005 = standard)
 N = No modification for hot temperatures ($T_{amb} \leq +50^{\circ}C$)
 H = Battery removed ($T_{amb} \leq +50^{\circ}C$)
 HH = Active cooling system for high temp. ($T_{amb} \leq +120^{\circ}C$)**
 L = Low temperatures ($T_{amb} \geq -40^{\circ}C$)
 LL = Low Low temp., PTC heater installed ($T_{amb} \geq -60^{\circ}C$)

VA2.2.K1.BOR = Camera in stainless steel enclosure 1.4404

T08 = ATEX, IECEx & EAC-Ex camera type No. 08 (TÜV 18...)

Plug Termination.

T08- VA2.2.K1.BOR-X.X-XXX.X-P



Terminal Box Termination.

T08- VA2.2.K1.BOR-X.X-XXX.X-T



ExCam® IPQ1715



Schillerstrasse 17
D-35102 Lohra-Altenvers

info@samcon.eu
T: +49 6426 9231-0
F: +49 6426 9231-31



Data.



Explosion protection

Declaration of conformity:



Ex- Certificates:



Ex- Marking of the camera:

Explosion protection (gas):

Explosion protection (dust):

Explosion protection (mining):

Ex- Marking of the junction box:

Explosion protection (gas):

Explosion protection (dust):

IP66

Mechanical Characteristics (CAM/TB)

Protection level (CAM/TB):

IP68

Weight:



Range of temperature

Type ...L.N:

Type ...LL.H:



Camera power supply

Heater power supply



Connection cable type

Outside diameter:



Lens

Type:

Field of view:

Minimum object distance:

Minimum illumination:



Camera

Image sensor:

Shutter time:



Videocompression:

Resolution:

Frame rate:

Video streaming:

Image settings:

Pan/Tilt/Zoom:

Edge storage:



Network

Security:

Supported protocols:



System integration

Application programming interface:

Analytics included:

Event triggers:

Event actions:

Data streaming:

Built-in installation aids:

Optional accessories

DIN EN/IEC/GOST... 60079-0, DIN EN/IEC/GOST... 60079-1,
DIN EN/IEC/GOST... 60079-7, DIN EN/IEC/GOST... 60079-31
TUEV-18-ATEX-8218X, IECEx-TUR-18.0023X,
No. TC RU C-DE.HA65.B.01652/22, TUEV-22-UKEX-7137X

II 2G Ex db IIB T6 Gb****

II 2D Ex tb IIIC T80°C Db

I M2 Ex db I Mb***

II 2G Ex eb IIC T5 Gb

II 2D Ex tb IIIC T95°C Db (IP66)

Stainless Steel (AISI 316L/1.4404), Polyester resin

IP66/68, IP66 (IEC/EN 60529)

ca.6.0 kg

-40°C bis +50°C (T6)

-60°C bis +50°C (T4)

-40°C bis +120°C** (T3)

IEEE 802.3af/802.3at Type 2 Class 4, typical 12 W, max 13.5 W
40W@24VDC@-60°C (see user manual)

WWW.SAMCON.EU ... Cat.6 / 4x2xAWG23/1 ...

9 mm - 17 mm

Varifocal, 4 – 84.6 mm, F1.6-F4.5, Autofocus, P-Iris control

HFoV: 76° – 3.6°, VFoW: 42° – 2.2°

7 cm (wide); 95 cm (tele)

Color: 0.1 lux at 50 IRE F1.5, B/W: 0.02 lux at 50 IRE F1.5
(25/30 fps with WDR and Lightfinder)

Color: 0.2 lux at 50 IRE F1.5, B/W: 0.04 lux at 50 IRE F1.5
(50/60 fps with WDR and Lightfinder)

1/2.8" progressive scan RGB CMOS

1/66500 s to 2 s

H.264 (MPEG-4 Part 10/AVC) Baseline, Main and High Profiles,

H.265 (MPEG-H Part 2/HEVC) Main Profile, Motion JPEG

1920x1080 to 160x90

Up to 60/50 fps (60/50 Hz) in all resolutions

Multiple, individually configurable streams in H.264, H.265 and Motion JPEG

Axis Zipstream technology in H.264 and H.265

Controllable frame rate and bandwidth, VBR/ABR/MBR H.264/H.265

Saturation, contrast, brightness, sharpness, Forensic WDR (up to 120 dB depending on scene), white balance, day/night threshold, tone mapping, local contrast, electronic image stabilization (EIS), exposure mode, exposure zones, defogging, compression, dynamic text and image overlay, polygon privacy masks, mirroring of images, rotation: auto, 0°, 90°, 180°, 270° including Corridor Format

Scene profiles: forensic, vivid, traffic overview

Zoom: 21x optical, 100 preset positions, control queue, adjustable zoom speed, uploadable PTZ driver

Support for microSD/microSDHC/microSDXC card (card not included);

Recording to network-attached storage (NAS)

Password protection, IP address filtering, HTTPS encryption, digest authentication, user access log, centralized certificate management, brute force delay protection, ...

IPv4/v6, HTTP, HTTPS, QoS Layer 3 DiffServ, FTP, SMTP, Bonjour, UPnP, SNMPv1/v2c, v3(MIB-II), DNS, DynDNS, NTP, RTSP, RTP, TCP, UDP, IGMP, etc...

Open API for software integration, including VAPIX® and AXIS Camera Application Platform; specifications at www.axis.com; One-click cloud connection;

ONVIF® Profile M, ONVIF® Profile S, ONVIF® Profile T and ONVIF® Profile G, specification at onvif.org

Deep Learning Processing Unit (DLPU), AXIS Object Analytics, AXIS Video Motion Detection, Support for AXIS Camera Application Platform enabling installation of third-party applications, see www.axis.com/acap

Analytics, edge storage events, supervised external input, edge storage events, virtual inputs through API

Pre- and post-alarm video or image buffering, File upload: FTP, SFTP, HTTP, HTTPS, network share and email

Notification: email, HTTP, HTTPS, TCP and SNMP trap

Event data

Pixel counter, leveling guide, license plate capture assistant

Wall mount bracket, Pole mount bracket, Ceiling mount bracket,

Non-armoured cable kits, armoured cable kits, ExConnection Rails, ...

* = illustrations show models with accessories that are subjected to an extra charge

** = this model requires the SAMCON cool.Jacket. The temperature class must be reduced to T3.

*** = mining only for variants with armoured cable and plug termination

**** = Ex-marking depends on model: the temperature class has to be reduced to T4 for models LL.H.