

# ExCam® IPQ1785



## Datasheet.

### Features.

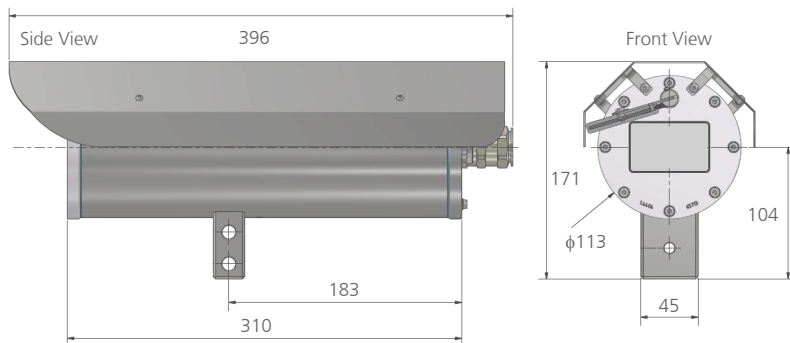
- ✓ Broad Certification Landscape for **Hazardous Areas** (ATEX, IECEx, EAC-Ex and more)
- ✓ Powerful **Wiper Solution** with Torque Control
- ✓ **Arctic-Temperature-Control** (-60°C)
- ✓ **Single-Cable-Solution** (PoE / 24VDC)
- ✓ Protection Level of **IP68** (IEC 60529)
- ✓ High Resolution: **1920x1080** (HDTV 1080p)
- ✓ Powerful **Motor-Zoom-Autofocus-Lens** (32x Optical)
- ✓ **Lightfinder** and **WDR** Technologies
- ✓ Easy **VMS** Integration

### Zones.

Group II (Gas & Dust)	ATEX / IECEx / EAC-Ex				
Zone	0	1	2	21	22
For use in	✗	✓	✓	✓	✓

More certificates on request

### Dimensions [mm].



### Models.

T08-VA.2.3.K3.BORX- X. H- XXX. X- X

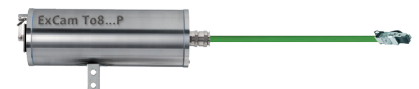
P = Plug RJ45 cable connector (standard)  
 T = Terminal box (Ex-e) connection  
 N = Non armoured cable (standard)  
 A = Armoured cable  
 \_\_\_ = Cable length (see UM) (005 = standard)  
 H = High Temp. ( $T_{amb} \leq +60^{\circ}C$ )  
 N = Normal Temp., no heater installed ( $T_{amb} \geq -10^{\circ}C$ ) (standard)  
 L = Low Temp., PTC heater installed ( $T_{amb} \geq -30^{\circ}C$ )  
 LL = Low Low Temp., PTC heater installed ( $T_{amb} \geq -60^{\circ}C$ )

VA2.3.K3.BOR5 = Camera in stainless steel housing 1.4404 with wiper  
 VA2.3.K3.BOR2 = Camera in stainless steel housing 1.4404 without wiper

T08 = ATEX, IECEx & EAC-Ex Camera type No. 08 (TÜV 18...)

### Plug Termination.

T08-VA2.3.K3.BOR5-X.X-XXX.X-P



### Terminal Box Termination.

T08-VA2.3.K3.BOR5-X.X-XXX.X-T



\*\*

# ExCam® IPQ1785



Schillerstrasse 17  
D-35102 Lohra-Altenvers

info@samcon.eu  
T: +49 6426 9231-0  
F: +49 6426 9231-31



## Data.



### Explosion protection

Declaration of conformity:



Ex- Certificates:



Ex- Marking of the camera:

Explosion protection (gas):

Explosion protection (dust):

Ex- Marking of the junction box:

Explosion protection (gas):

Explosion protection (dust):

DIN EN/IEC/GOST ... 60079-0, DIN EN/IEC/GOST ... 60079-1,  
DIN EN/IEC/GOST ... 60079-7, DIN EN/IEC/GOST ... 60079-31  
TUEV-18-ATEX-8218X, IECEx-TUR-18.0023X,  
No. TC RU C-DE.HA65.B.01652/22, TUEV-22-UKEX-7137X

II 2G Ex db IIC T5 Gb

II 2D Ex tb IIIC T95°C Db

II 2G Ex eb IIC T5 Gb

II 2D Ex tb IIIC T95°C Db (IP66)



### Housing material (CAM/TB):

Protection level (CAM/TB):

Weight:

Stainless Steel (AISI 316L/1.4404), Polyester resin

IP68, IP66 (IEC/EN 60529)

ca.9 kg\*



### Range of temperature:

-60°C to +60°C\*



### Camera power supply (N, LL):

Camera power supply (L):

Heater power supply (LL):

IEEE 802.3af/802.3at Type 1 Class 3 Typical 7.7 W, max 12.95 W

IEEE 802.3af/802.3at Type 2 Class 4 (25.5W@-30°C)

40W@24VDC@-60°C\* (see user manual)



### Connection cable type:

Outside diameter:

WWW.SAMCON.EU ... Cat.6 / 4x2xAWG23/1 ...\*

9 mm - 17 mm\*



### Lens

Type:

Field of view:

Minimum illumination:

4.3 – 137 mm, F1.4 – 4.0, Autofocus

HfFoV: 60° – 2.3°, VfoW: 39° – 1.3°

Color: 0.16 lux at 50 IRE F1.4, B/W: 0.03 lux at 50 IRE F1.4



### Camera

Image sensor:

Shutter time:

1/2.8" progressive scan RGB CMOS

1/66500 s to 1 s



Videocompression:

Resolution:

Frame rate:

Video streaming:

Image settings:

Pan/Tilt/Zoom:

Edge storage:

H.264 (MPEG-4 Part 10/AVC) Baseline, Main and High Profiles Motion JPEG

1920x1080 HDTV 1080p

With WDR: Up to 30/25 fps (60/50 Hz) in all resolutions

Without WDR: Up to 60/50 fps (60/50 Hz) in all resolutions

Multiple, individually configurable streams in H.264 and Motion JPEG

Axis Zipstream technology in H.264

Controllable frame rate and bandwidth, VBR/MBR H.264

Saturation, contrast, brightness, sharpness, Forensic WDR, white balance, exposure mode, exposure zones,

compression, mirroring of images, electronic image stabilization, barrel distortion correction,

text and image overlay, dynamic text and image overlay, privacy masks, Rotation: 0°, 90°, 180°, 270°

including Corridor Format

32x optical zoom, preset positions

SD/SDHC/SDXC slot supporting memory card up to 64 GB (card not included);

Support for recording to dedicated network-attached storage (NAS)



### Network

Security:

Supported protocols:

Password protection, IP address filtering, HTTPS encryption,

digest authentication, user access log

IPv4/v6, HTTP, HTTPS, QoS Layer 3 DiffServ, FTP, SMTP,

Bonjour, UPnP, SNMPv1/v2c, v3(MIB-II),

DNS, DynDNS, NTP, RTSP, RTP, TCP, UDP, IGMP, etc...



### System integration

Application Programming Interface:

Analytics Included:

Event triggers:

Event actions:

Data streaming:

Built-in installation aids:

Open API for software integration, including VAPIX® and AXIS Camera Application Platform;

specifications at [www.axis.com](http://www.axis.com); AXIS Video Hosting System (AVHS) with One-Click Connection;

ONVIF® Profile S, ONVIF® Profile G and ONVIF® Profile T, specification at [onvif.org](http://onvif.org)

AXIS Video Motion Detection, active tampering alarm, gatekeeper Supported AXIS Perimeter Defender,

AXIS Cross Line Detection Support for AXIS Camera Application Platform enabling installation of

third-party applications, see [www.axis.com/acap](http://www.axis.com/acap)

Analytics, edge storage events, supervised external input, edge storage events, virtual inputs

through API

Pre- and post-alarm video buffering

File upload: FTP, SFTP, HTTP, HTTPS, network share and email

Notification: email, HTTP, HTTPS, TCP and SNMP trap

Event data

Pixel counter

### Optional accessories:

Wall mount bracket, Pole mount bracket, Ceiling mount bracket,

Non-armoured cable kits, armoured cable kits

ExConnection Rails, ...

\* = depending on model (see user manual)

\*\* = illustrations show models with accessories that are subjected to an extra charge