

ExCam[®] SUFA1080

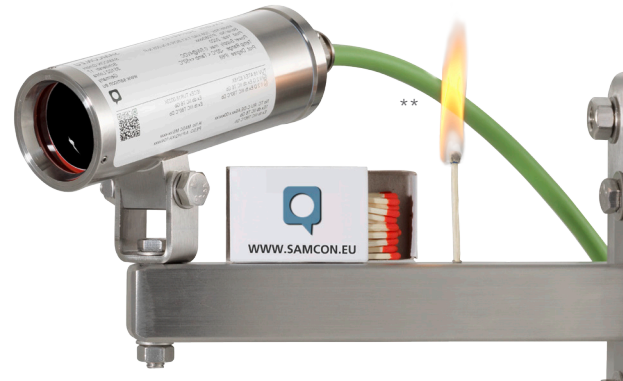


Datasheet.

Ultra compact ATEX, IECEx & EAC-Ex certified thermal sensor unit *

Features.

- ✓ Certification for Hazardous Areas
- ✓ Ultra-Compact and Lightweight
- ✓ Thermal Technology for Low False Alarm Rate
- ✓ Single-Cable-Solution
- ✓ Protection Level of IP68 (IEC 60529)
- ✓ Resolution Thermal: 208x156
- ✓ Compatible with FA54 Main Unit & ExCR FA54



Zones.

| | | | | | |
|-----------------------|--------------|---|---|----|----|
| Group II (Gas & Dust) | ATEX / IECEx | | | | |
| Zone | 0 | 1 | 2 | 21 | 22 |
| For use in | ✗ | ✓ | ✓ | ✓ | ✓ |

More certificates upon request

Distance Ranges [m].

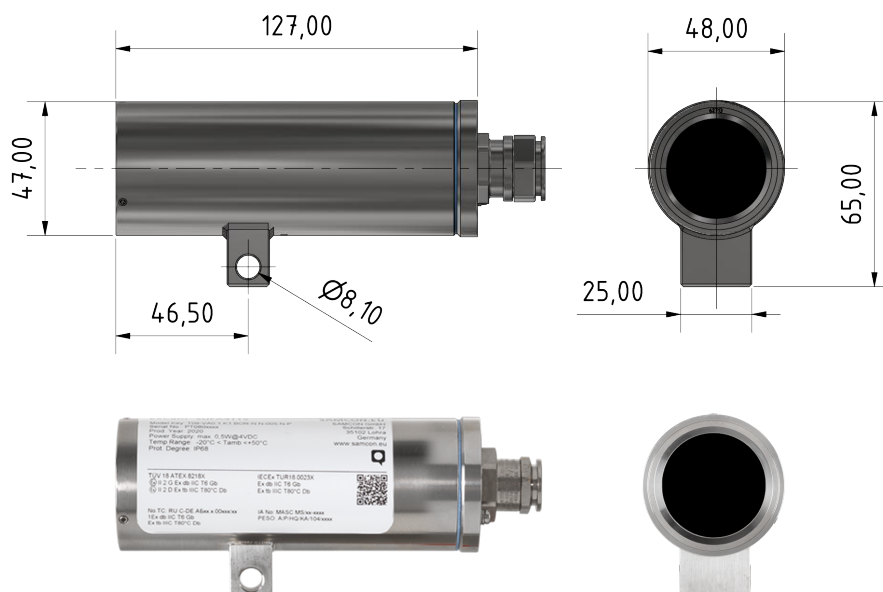
| Johnson's criteria (theoretical values) | Human 1.8 x 0.5 m | Vehicle 4 x 1.5 m |
|---|----------------------|----------------------|
| Detection (1.5 pixels on target) | 166 - 182 | 511 - 559 |
| Recognition (6 pixels on target) | 41 - 45 | 127 - 139 |
| Identification (12 pixels on target) | 20 - 22 | 63 - 69 |

Information without liability - values may vary

Models.

T08-VA.0.1.K1.GER- N.N- 005. N- P
 ↓ ↓ ↓ ↓ ↓ ↓ ↓ ↓ ↓
 P = Plug RJ12 cable connector***
 N = Non armoured cable
 — = Cable length (005 = standard, 025 = max.)
 N = Max. temp. (Tamb ≤ +60°C)
 N = Min. temp. (Tamb ≥ -30°C)
 VA0.1.K1.GER = Stainless steel housing 1.4404 with germanium sight glass
 T08 = ATEX, IECEx & EAC-Ex Camera type No. 08 (TÜV 18...)

Dimensions.



Data.

ExCam® SUFA1080



Explosion protection
Declaration of conformity:

DIN EN/IEC/GOST ... 60079-0,
DIN EN/IEC/GOST ... 60079-1, DIN EN/IEC/GOST ... 60079-31
TUEV-18-ATEX-8218X, IECEx-TUR-18.0023X,
No. TC RU C-DE.HA65.B.01652/22, TUEV-22-UKEX-7137X



Ex- certificates:



Ex- Marking:
Explosion protection (gas):
Explosion protection (dust):

II 2G Ex db IIC T6 Gb
II 2D Ex tb IIIC T80°C Db



Mechanical characteristics:

Sensor Unit:
Protection level:
Weight:

Stainless Steel (AISI 316L/1.4404)
IP68 (IEC/EN 60529)
0.7 kg



Range of temperature:

Sensor Unit: -30°C to +60°C



Power supply:

ExConnection Rail FA54 or FA54 Main Unit
max. 1,2W@4VDC



Connection cable type:
Outside diameter:

WWW.SAMCON.EU / SKD04-T.flex... Cat.6 / 4x2xAWG24/7 ...
8.7 mm***



Lens

Type:
Field of view:
Minimum object distance:

Athermalized, 4 mm, F1.2
HfOV: 35.4° – 28°
1 m



Camera

Image sensor:
Resolution:
Pixel size:
Spectral range:
Sensitivity:
Frame rate:

Uncooled microbolometer
208x156 p, image scalable up to 640x480
12 µm
8 - 14 µm
NETD < 100 mK
Up to 8.3 fps



***Required hardware:**

ExConnection RailFA54 or FA54 Main Unit

Optional accessories:

Wall mount bracket (WMB), Pole mount bracket (PMB), Hinge attachment (SCH)

Connection Options.



Up to 4 x ExCam SUFA1080



~~AXIS FA54 MAIN UNIT~~



~~Ethernet~~



Up to 4 x ExCam SUFA1080



ExConnection Rail FA54



~~Ethernet~~



max. 25m

max. 100m 100BASETX PoE

* = Only works in connection with a suitable Main Unit

** = Illustrations show models with accessories that are subjected to an extra charge

*** = Cable is not longitudinal tight (see UM); Please observe the requirements of DIN/EN/IEC 60079-14.