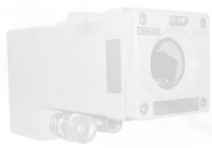


ExCam® XF M3016



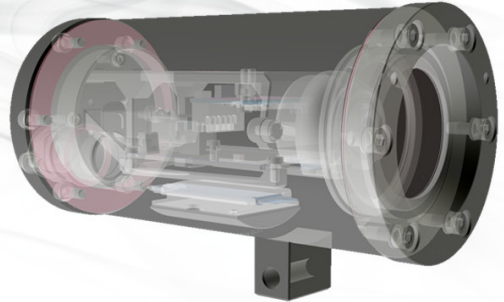
THIS.

2005:
35kg, -20°C, IP54...



IS.

2010:
15kg, -40°C, IP66



EVOLUTION.

2019:
3kg, -60°C, IP68...

Feature-Highlights.

- ✓ ATEX, IECEx & EAC-Ex certified TCP/IP Network Camera
- ✓ Ultra Compact and Innovative Design, only weighing max. 3kg
- ✓ Protection Level of IP68
- ✓ Single-Cable-Solution: Power over Ethernet (PoE)
- ✓ ONVIF and VAPIX Compatible Multi-Streaming-Solution with ePTZ
- ✓ 3 MP Video in Full Frame Rate

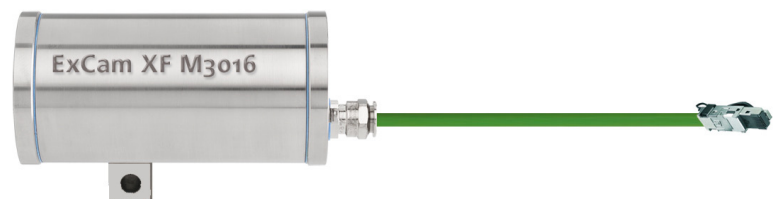
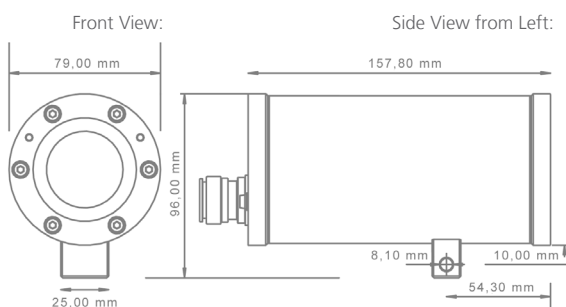
Zones.

Group II (Gas & Dust)	ATEX / IECEx / EAC-Ex				
Zone	0	1	2	21	22
Suitable	✗	✓	✓	✓	✓

Further certifications upon request.

Dimension.

T08-VA1.2.K1.BOR



Data.



Explosion protection

Model key:
Declaration of conformity:



Ex- Zertifikate:



Ex- Marking of the camera:
Explosion protection (gas):
Explosion protection (dust):

T08-VA1.2.K1.BOR-N.N-005.N-P-090
DIN EN/IEC/GOST 60079-0, DIN EN/IEC/GOST 60079-1,
DIN EN/IEC/GOST 60079-14, DIN EN/IEC/GOST... 60079-31, ...
TUEV-18-ATEX-8218X, IECEx-TUR-18.0023X,
No. TC RU C-DE.HA65.B.01652/22, TUEV-22-UKEX-7137X

II 2G Ex db IIC T6 Gb
 II 2D Ex tb IIIC T80°C Db



Mechanical characteristics

Housing material: Stainless Steel 1.4404
Protection level: IP 68 (IEC / EN 60529)
Weight: 3kg



Range of temperature

T08-VA.1.2.K1.BOR-N.N-005.N-P-090: -5°C to +50°C*



Electrical characteristics

Power supply: PoE, IEEE 802.3af/802.3at Type 1 Class 1, typical 2.9 W
Maximum power: Max. 3.8W@PoE



Connection cable

Outside diameter: 8.9 ± 0.3 mm
Twisted pair structure (data): 4 x 2 x AWG23/1 CAT.6A



Lens

Type: IR Cut Megapixel Lens; 2,8 mm, F2.0
Angle of View: HAoV@16/9 (1920)=92°, VFOV@16/9=52°
HAoV@4/3 (1024)=69°, VFOV@4/3=52°



Camera

Image sensor: 1/3" progressive scan CMOS
Minimum illumination: 0.4 lux at 50 IRE F2.0
Shutter time: 1/32000 s to 1/5 s
Pan/Tilt/Zoom: Digital PTZ, preset positions, guard tour



Video

Video compression: H.264 (MPEG-4 Part 10/AVC), H.265 (MPEG-H Part 2/HEVC)
Main Profile, Motion JPEG
Resolutions: 2016x1512 to 320x240 (4:3) or 2304x1296 to 640x360 (16:9)
Frame rate : 25/30 fps with power line frequency 50/60 Hz
Video streaming: Multiple, individually configurable streams in H.264, H.265 and Motion JPEG Axis Zipstream technology in H.264 and H.265.
Controllable frame rate and bandwidth VBR/MBR H.264/H.265
Image settings: Compression, color, brightness, sharpness, contrast, local contrast, white balance, exposure control, text and image overlay, mirroring of images, privacy masks WDR: up to 100 dB depending on scene
Rotation: 0°, 90°, 180°, 270° including Corridor Format



Network

Security: Password protection, IP address filtering, HTTPS encryption, digest authentication, user access log...
Supported protocols: IPv4/v6, HTTP, HTTPS*, QoS Layer 3 DiffServ, FTP,....



System integration

Application Programming Interface: Open API for software integration, including supporting the ONVIF specification available at www.onvif.org, as well as VAPIX® from Axis Communications, spec. available at www.axis.com

Optional accessories

Wall mount Bracket (WMB), Weather Protection Roof (WPR), ...

*intermitted (see usermanual)



Image shows camera with optional accessory