

# ExCam<sup>®</sup> XF Q1785



## Datasheet.

### Features.

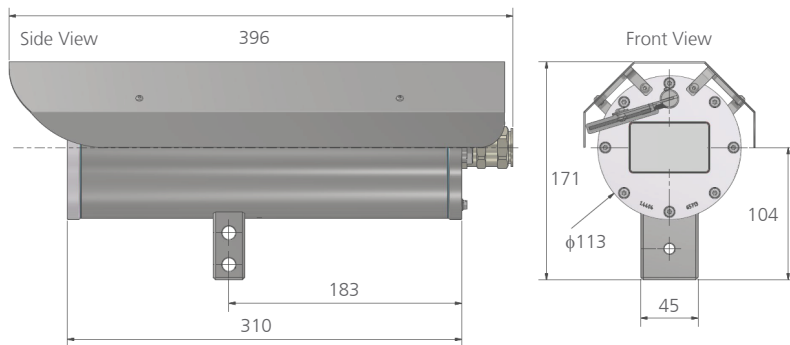
- ✓ Broad Certification Landscape for **Hazardous Areas** (ATEX, IECEx, EAC-Ex, INMETRO and more)
- ✓ Powerful **Wiper Solution** with Torque Control
- ✓ **Arctic-Temperature-Control** (-60°C)
- ✓ **Single-Cable-Solution** (PoE / 24VDC)
- ✓ Protection Level of **IP68** (IEC 60529)
- ✓ High Resolution: **1920x1080** (HDTV 1080p)
- ✓ Powerful **Motor-Zoom-Autofocus-Lens** (32x Optical)
- ✓ **Lightfinder** and **WDR** Technologies
- ✓ Easy **VMS** Integration

### Zones.

Group II (Gas & Dust)	ATEX / IECEx / ...				
Zone	0	1	2	21	22
For use in	✗	✓	✓	✓	✓

More certificates on request

### Dimensions [mm].



# ExCam® XF Q1785



Schillerstrasse 17  
D-35102 Lohra-Altenvers

info@samcon.eu  
T: +49 6426 9231-0  
F: +49 6426 9231-31



## Data.



### Explosion protection

Model key:  
Declaration of conformity:



Ex- Certificates:



Ex- Marking of the camera:  
Explosion protection (gas):  
Explosion protection (dust):  
Ex- Marking of the junction box:  
Explosion protection (gas):  
Explosion protection (dust):

T08-VA2.3.K3.BOR5-LL.H-005.A-T  
DIN EN/IEC/GOST... 60079-0, DIN EN/IEC/GOST... 60079-1,  
DIN EN/IEC/GOST... 60079-7, DIN EN/IEC/GOST... 60079-31  
TUEV-18-ATEX-8218X, IECEx-TUR-18.0023X,  
INMETRO TUEV 23.0363X, No. TC RU C-DE.HA65.B.01652/22,  
TUEV-22-UKEX-7137X, PESO: A/P/HQ/KA/104/5735,  
IA No.: MASC MS/18-3256X

II 2G Ex db IIC T5 Gb  
II 2D Ex tb IIIC T95°C Db

II 2G Ex eb IIC T5 Gb  
II 2D Ex tb IIIC T95°C Db IP66



### Mechanical Characteristics (CAM/TB)

Protection level (CAM/TB):  
Weight:

Stainless Steel (AISI 316L/1.4404), Polyester resin  
IP68, IP66 (IEC/EN 60529)  
ca.11 kg



### Range of temperature

-60°C to +60°C



### Camera power supply Heater & Wiper power supply

IEEE 802.3af/802.3at Type 1 Class 3, typical 7.7 W, max 12.95 W  
40W@24VDC@-60°C (see user manual)



### Connection cable type

Outside diameter:

WWW.SAMCON.EU ASKDP03-T Cat.6 / 4x2xAWG23/1 GN J/W (3G1.5)  
15.5mm±0.6mm



### Lens

Type:  
Field of view:  
Minimum illumination:

4.3 – 137 mm, F1.4 – 4.0, Autofocus  
HfOV: 60° – 2.3°, VfoW: 39° – 1.3°  
Color: 0.16 lux at 50 IRE F1.4, B/W: 0.03 lux at 50 IRE F1.4



### Camera

Image sensor:  
Shutter time:

1/2.8" progressive scan RGB CMOS  
1/66500 s to 1 s



Videocompression:  
Resolution:  
Frame rate:

H.264 (MPEG-4 Part 10/AVC) Baseline, Main and High Profiles Motion JPEG  
1920x1080 HDTV 1080p  
With WDR: Up to 30/25 fps (60/50 Hz) in all resolutions  
Without WDR: Up to 60/50 fps (60/50 Hz) in all resolutions  
Multiple, individually configurable streams in H.264 and Motion JPEG  
Axis Zipstream technology in H.264  
Controllable frame rate and bandwidth, VBR/MBR H.264

Video streaming:

Controllable frame rate and bandwidth, VBR/MBR H.264

Image settings:

Saturation, contrast, brightness, sharpness, Forensic WDR, white balance, exposure mode, exposure zones, compression, mirroring of images, electronic image stabilization, barrel distortion correction, text and image overlay, dynamic text and image overlay, privacy masks, Rotation: 0°, 90°, 180°, 270° including Corridor Format

Pan/Tilt/Zoom:

32x optical zoom, preset positions

Edge storage:

SD/SDHC/SDXC slot supporting memory card up to 64 GB (card included);  
Support for recording to dedicated network-attached storage (NAS)



### Network

Security:

Password protection, IP address filtering, HTTPS encryption,  
digest authentication, user access log

Supported protocols:

IPv4/v6, HTTP, HTTPS, QoS Layer 3 DiffServ, FTP, SMTP,  
Bonjour, UPnP, SNMPv1/v2c, v3(MIB-II),  
DNS, DynDNS, NTP, RTSP, RTP, TCP, UDP, IGMP, etc...



### System integration

Application Programming Interface:

Open API for software integration, including VAPIX® and AXIS Camera Application Platform;  
specifications at [www.axis.com](http://www.axis.com); AXIS Video Hosting System (AVHS) with One-Click Connection;  
ONVIF® Profile S and ONVIF® Profile G, specification at [onvif.org](http://onvif.org)

Analytics Included:

AXIS Video Motion Detection, active tampering alarm, gatekeeper Supported AXIS Perimeter Defender,  
AXIS Cross Line Detection Support for AXIS Camera Application Platform enabling installation of  
third-party applications, see [www.axis.com/acap](http://www.axis.com/acap)

Event triggers:

Analytics, edge storage events, supervised external input, edge storage events, virtual inputs  
through API

Event actions:

Pre- and post-alarm video buffering  
File upload: FTP, SFTP, HTTP, HTTPS, network share and email  
Notification: email, HTTP, HTTPS, TCP and SNMP trap

Data streaming:

Event data

Built-in installation aids:

Pixel counter

### Optional accessories

Wall mount bracket, Pole mount bracket, Ceiling mount bracket,  
Non-armoured cable kits, armoured cable kits  
ExConnection Rails, ...