

ExCam® miniTube IP



Datasheet.

Features.

- ✓ Broad Certification Landscape for Hazardous Areas (ATEX, IECEx, INMETRO, EAC-Ex ...)
- ✓ Day & Night Functionality
- ✓ Motorized Varifocal Lens
- ✓ High Resolution: FullHD 1920x1080p
- ✓ High Light Sensitivity with 1/2.8" CMOS Sensor
- ✓ Protection Level of IP66/68 (IEC 60529)
- ✓ Single-Cable-Solution (PoE)
- ✓ Multi-Streaming and Videocompression H.265

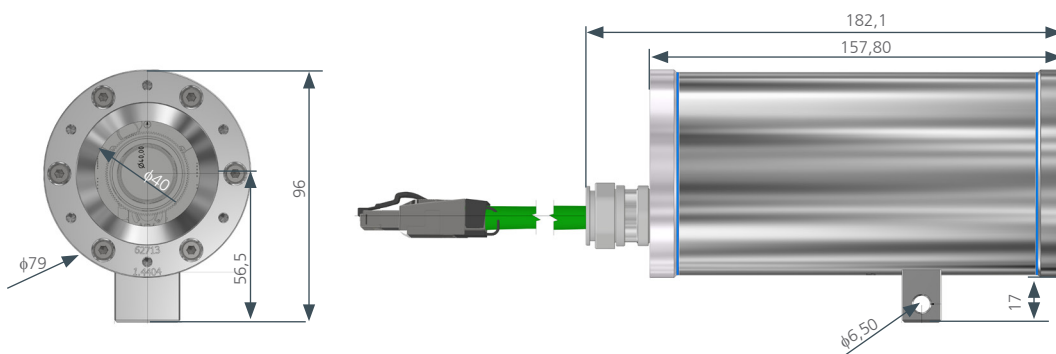


Zones.

Group I (Mining)	ATEX / IECEx / ...		Group II (Gas & Dust)					ATEX / IECEx / ...						
Zone	Ma	Mb	Zone	0	1	2	21	22	Zone	0	1	2	21	22
For use in	✗	✓	For use in	✗	✓	✓	✓	✓	For use in	✗	✓	✓	✓	✓

More certificates upon request.

Dimensions [mm].



Models.

T08-VA1.2.K1.BOR- X- X- XXX- X- X

P = Plug RJ45 cable connection (standard)
 T = terminal box (Ex-e) connection
 N = Non-armoured cable (standard)
 A = Armoured cable
 — = Cable length (see UM) (005 = Standard)
 N = No modification for high temperatures ($T_{amb} \leq +50^{\circ}C$)
 N = Normal temperatures ($T_{amb} \geq -30^{\circ}C$)
 VA1.2.K1.BOR = Camera in stainless steel housing 1.4404
 T08 = ATEX, IECEx, EAC-Ex, ... camera type No. 08 (TÜV 18...)

Data.



Explosion protection

Declaration of conformity:

DIN EN/IEC/GOST... 60079-0, DIN EN/IEC/GOST... 60079-1,
DIN EN/IEC/GOST... 60079-7, DIN EN/IEC/GOST... 60079-31
TUEV-18-ATEX-8218X, IECEx-TUR-18.0023X,
INMETRO TUEV 23.0363X, No. TC RU C-DE.HA65.B.01652/22,
TUEV-22-UKEX-7137X, PESO: A/P/HQ/KA/104/5735,
IA No.: MASC MS/18-3256X



Ex- Certificates:



Ex- Marking of the camera:

II 2G Ex db IIC T6 Gb
 II 2D Ex tb IIIC T80°C Db
 I M2 Ex db I Mb**



Explosion protection (gas):

Explosion protection (dust):

Explosion protection (mining):

Ex- Marking of the terminal box:



Explosion protection (gas):

Explosion protection (dust):

II 2G Ex eb IIC T5 Gb
 II 2D Ex tb IIIC T95°C Db



Mechanical characteristics

Protection level (camera/terminal box):

Weight:

Camera: stainless steel (AISI 316L/1.4404), terminal box: Polyester resin
IP66/68 / IP66 (IEC/EN 60529)
ca. 2.6 kg



Range of temperature

-30°C bis +50°C



Power supply

PoE, IEEE 802.3af Type 1 Class 2, typical 3.0 W, max. 4.4 W



Connection cable type

Outside diameter:

WWW.SAMCON.EU ... Cat.6 / 4x2xAWG23/1 ...
9 mm - 17 mm



Lens

Type:

DORI:

Motorized varifocus lens with switchable IR-filter (ICR)
Detection (125px/m) 8.2-40.1m, Observation (862px/m) 16.6-80.5m,
Recognition (25px/m) 44-198m, Identification (250px/m) 3.9-20.1m
DC
Focal length: 2.7-13.5mm
Field of view: horizontal: 80° - 32°, vertical: 56° - 18°
Illumination: 0.0008 lux at 40 IRE F1.6
Minimum Object Distance (MOD): 5 cm



Camera

Image sensor:

Shutter setting:

Video compression:

Resolution:

Frame rate:

Video streaming:

Image settings:

1/2.8" CMOS Sony STARVIS, IMX307
ESC (automatic electronic shutter) 1/25000 s to 1/25 s
H.264, H.264+, H.265, H.265+, Motion JPEG
1920x1080 (16:9), 1280x720 (16:9)
30 fps
Multiple, individually configurable streams in H.264, H.265 and Motion JPEG; Multi-Streaming
Backlight compensation (BLC, HLC), automatic day/night mode, white balance, DOL-WDR (120dB)
3-fold scan of images @25/30fps, compression, slow shutter, digital noise reduction (signal/noise ratio 50dB),
flickerless function, motion detection, mirror function (mirror image, flip), privacy masks
4x optical zoom and digitale zoom, e-PTZ

Pan/Tilt/Zoom:



Network

Security:

Supported protocols:

Password protection

TCP/IP, IPv4/v6, UDP, HTTP, HTTPS, FTP, UPnP, RTSP, RTP, RTCP, DHCP, ARP, Zeroconf, Bonjour, SNMP



System integration

Application programming interface:

Included analytics:

Event actions:

Web Browser:

ONVIF® Profile S, ONVIF® Profile T, specification at onvif.org

Object Analytics, Motion Detection, Manipulation

E-Mail, HTTP, FTP, Boost, TCP, UDP, Onvif Event Mapping

MS Internet Explorer: ActiveX from 9.0, Safari: MJPEG, Mozilla: MJPEG, Google Chrome: MJPEG, Edge: MJPEG

Optional accessories

Wall Mount Bracket (WMB), Pole mount Bracket (PMB), Weather Protection Roof (WPR),
non-armoured cable kits, armoured cable kits, ExConnection Rails, ...

* = Illustrations show models with accessories that are subjected to an extra charge.

** = Mining only for variants with armoured cable and plug termination