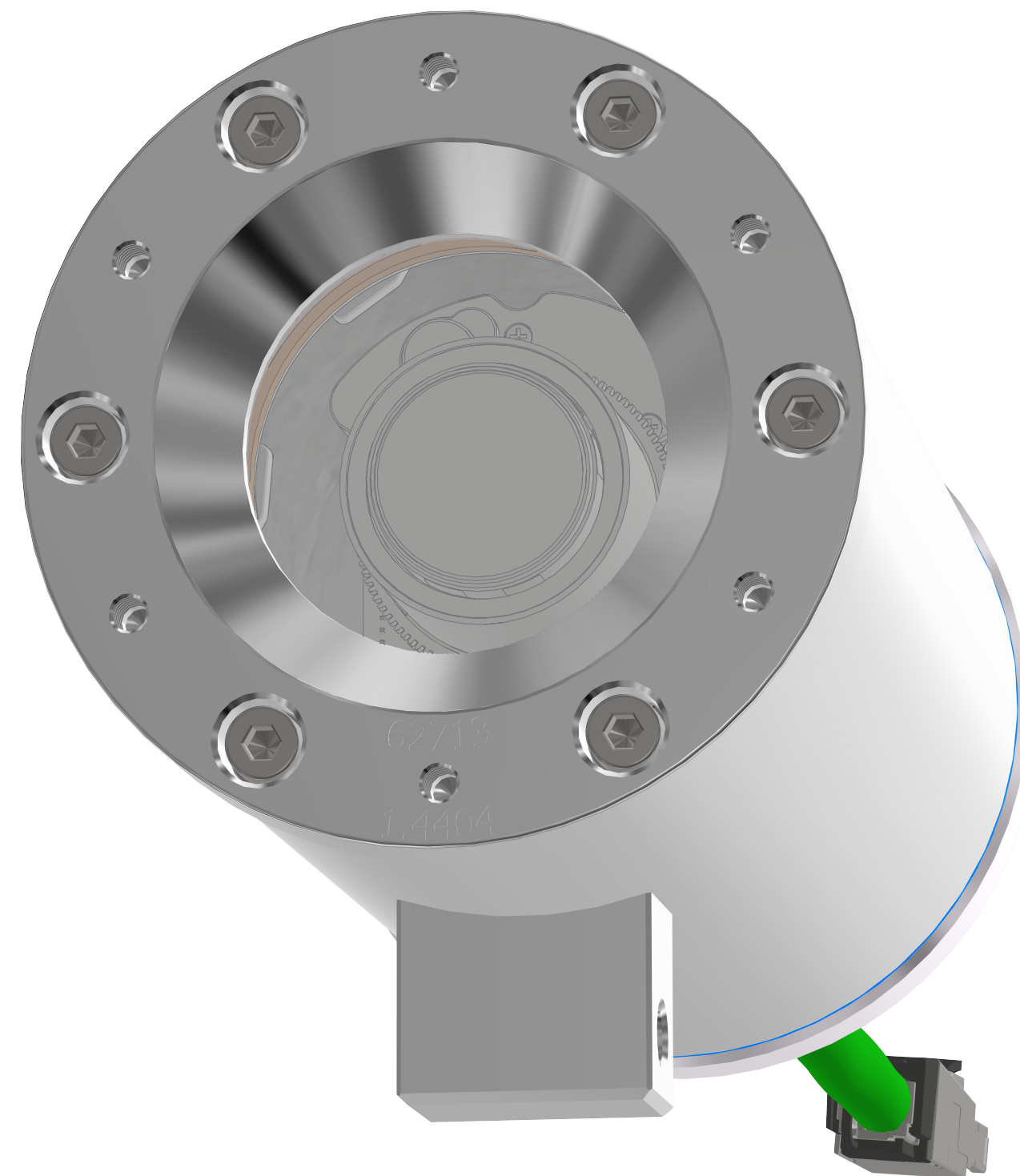
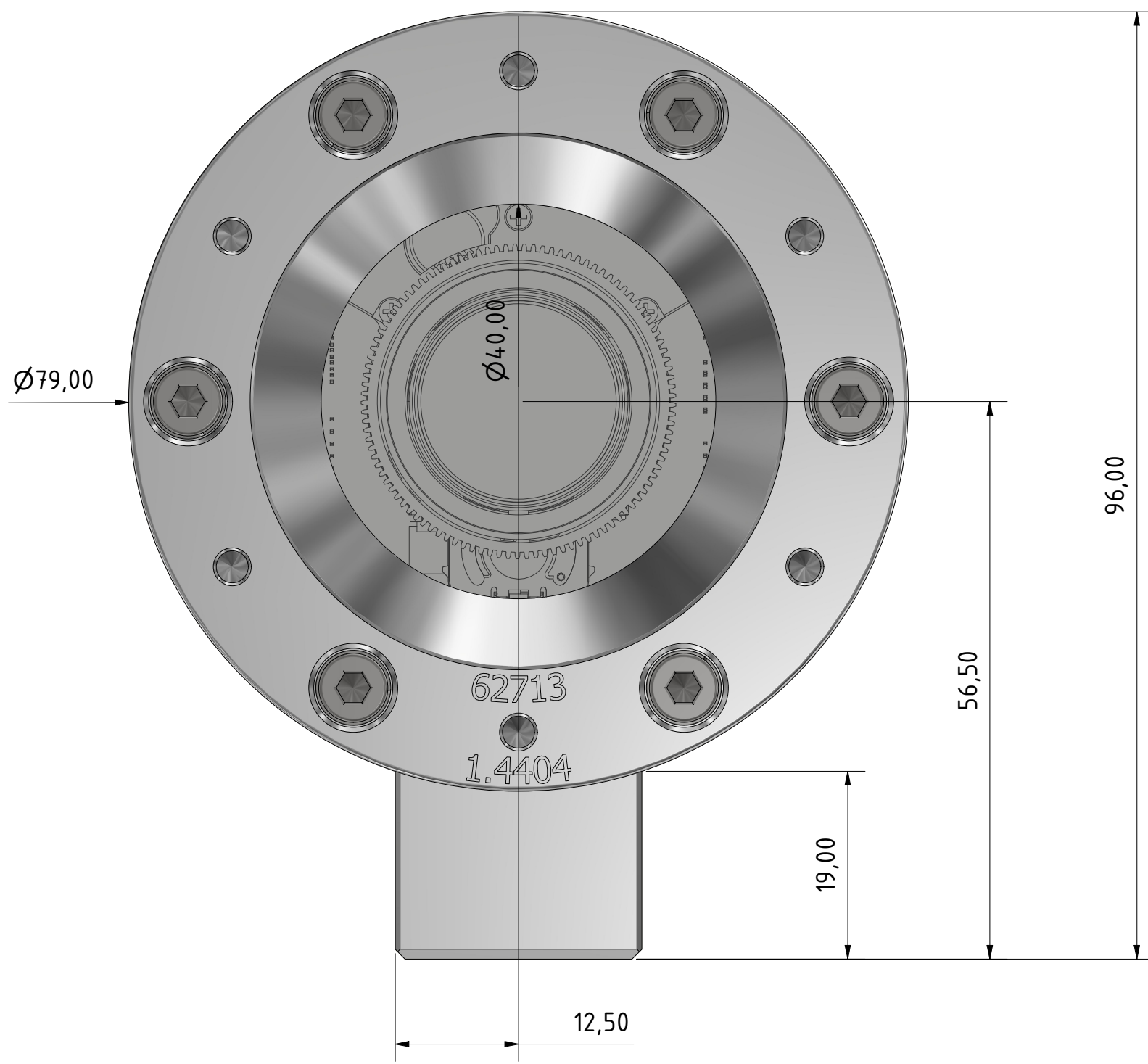

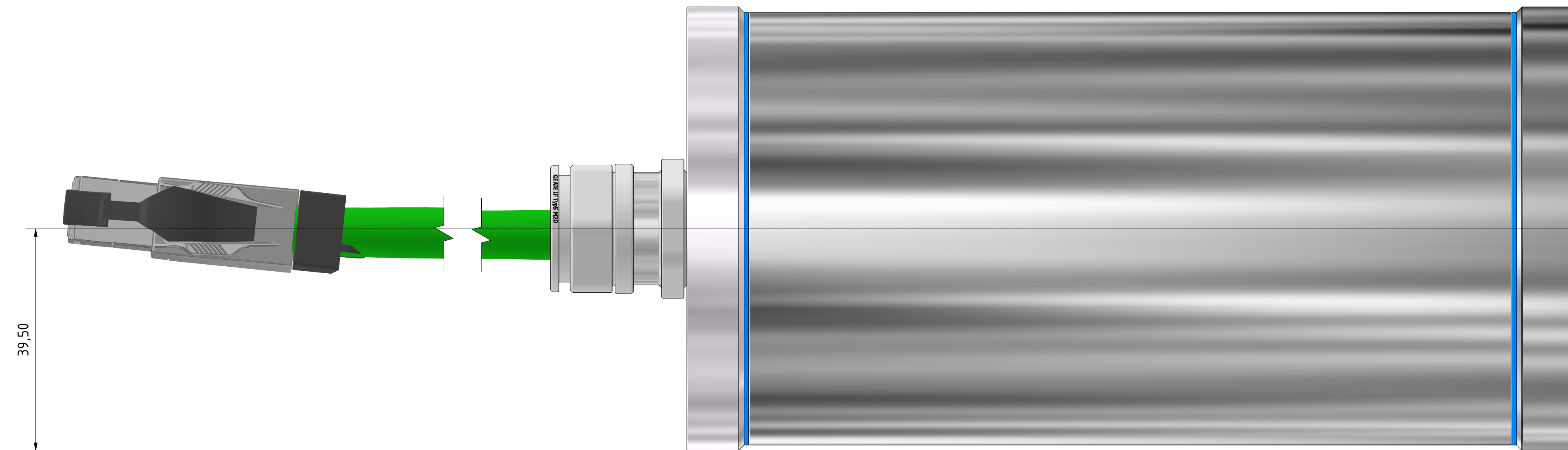
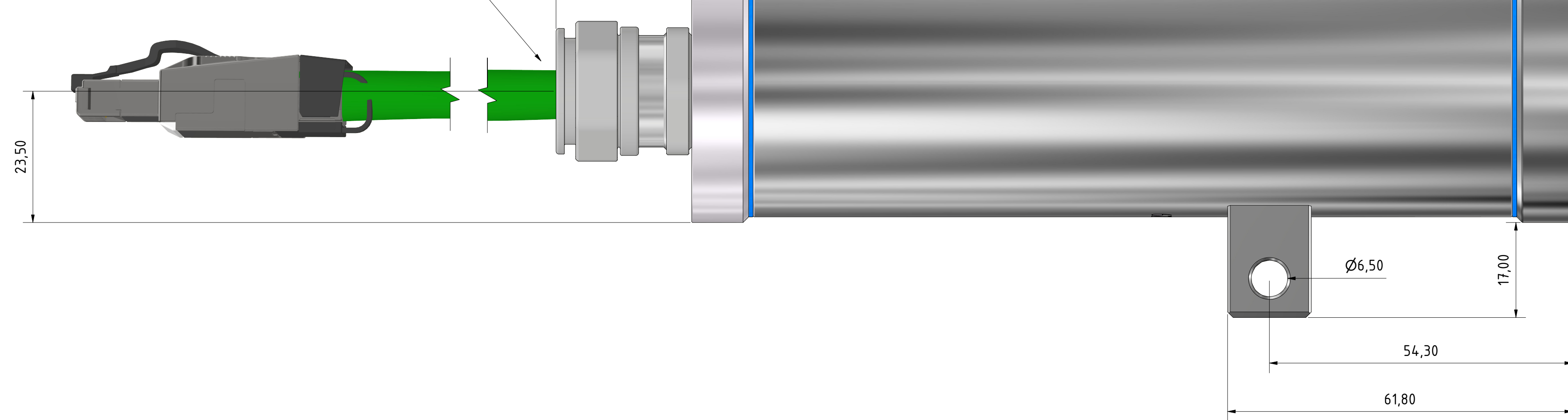




DRAWINGS ExCam miniTube IP




SKD02-T SAMCON SYSTEM CABLE DIGITAL, PUR FHF
 RAL 6018, AWG 23/1, -60°C...+80°C
 ACC. TO IEC 60079-14
 OUTER DIAMETER: 8.9MM
 BENDING RADIUS: 35MM (STATIC)
 70MM (DYNAMIC)



DRAWN	Thiemo Gruber	20.02.2024	 Prozessleittechnik GmbH	 1100g
CHECKED				
QA			TITLE	
MFG			TECHNICAL DRAWING	
APPROVED			ExCam miniTube IP	
			SIZE	DWG NO
			D	240220-ET08miniTubeIP-TECHNISCHE
			SCALE	ZEICHNUNG_rev.00.dwg
REVISION			1.8	REV 00
				SHEET 1 OF 1