

# RoughCam® e.Vario



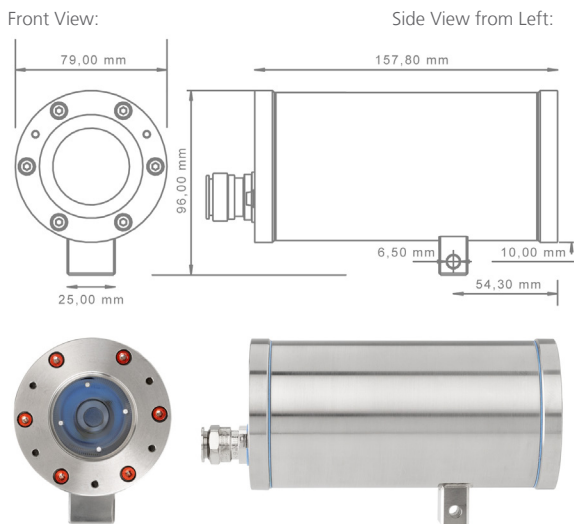
## Datasheet.

### Feature-Highlights.

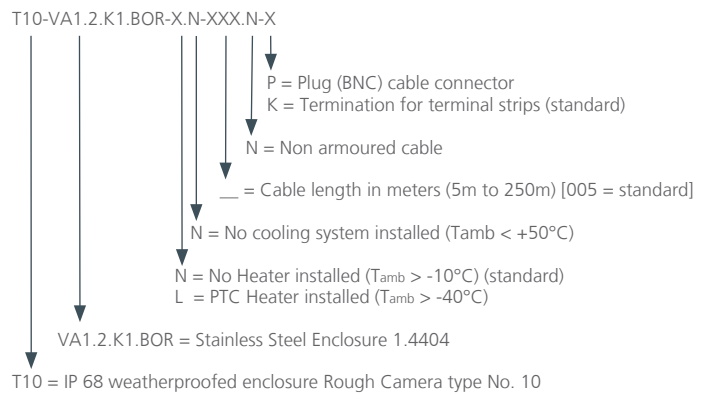
- ✓ Day & Night functionality
- ✓ Auto IR-cut filter
- ✓ Motorized varifocal lens (remote zoom)
- ✓ High light sensitivity 0.015 lx (sens-up x30) / F 1.3
- ✓ 1/2.8" 2.1 Megapixel CMOS Sensor
- ✓ Dynamic PTC-Heater-Concept (-40°C)

### Dimension.

T10-VA1.2.K1.BOR



### T10-Modelle.



## Data.

<b>IP66</b>	<b>Mechanical characteristics</b> Housing material: Stainless Steel 1.4404 Protection level: IP66/68 Weight: T10-VA1.2.K1.BOR...: 2840 g
<b>IP68</b>	
 -40 °C	<b>Range of temperature</b> T10-VA1.2.K1.BOR-N.N-005.N-X: -10°C to +50°C T10-VA1.2.K1.BOR-L.N-005.N-X: -40°C to +50°C
 +50 °C	
	<b>Electrical characteristics</b> Camera: Power supply: +14VDC to +30VDC Input current: 120mA to 220mA Max. Power: 2.64W  Heating: Power supply: +20VDC to +26VDC Input current: ab. 2000mA@24VDC Max. power: ab. 10W@-30°C, ab. 20W@-40°C
	<b>System cable SKA02</b> Outside diameter: 9.4mm Bending radius: Min. 150mm Video: 1x75Ω Koax AWG 24, Cu shield Power supply camera: 2x0.75mm <sup>2</sup>
	<b>Camera</b> Image sensor: 1/2.8" 2.1 Megapixel CMOS Sensor Lens: Motorized Zoom lens (2.7~12mm F=1.3) Horizontal angle of view: 65° - 31.2° Minimum illumination: 0.5 lx (colour); 0.1 lx (B/W), F 1.3; 0.015 lx (sens-up x30) Shutter time: PAL(1/25s - 1/50000s); NTSC(1/30s - 1/50000s) Resolution / Quality: 1080p (1920 x 1080) 25fps/30fps Signal-to-noise ratio: ≥50 dB Signals: AHD (standard) / TVI / CVI (1920x1080) (16:9) FBAS 16:9 (4:3*)
	<b>Electronic functions</b> Electronic shutter White balance [ATW/ AWC-Set/ Indoor/ Outdoor/ Manual/ AWB] Backlight Compensation [WDR/ BLC/ HSBLIC] Defect Pixel Korrektur (DPC) [Live DPC/ White DPC/ Black DPC] Automatic Gain Control (AGC) [1 ~ 15 Step] Digital Noise Reduction (DNR) [2DNR/3DNR] Defog function Motion Detection (4 zone selectable) Privacy Masking (4 zone selectable) Protocol (AHD:A-CP/ TVI: HIKVISION-C/ CVI: HD-CVI)
	<b>Optional Equipment</b> AHD/TVI/CVI/FBAS/ to HDMI/VGA/FBAS Video-Converter (also for non-HD capable monitors) RS-485 control panel for OSD-Controlling (for zoom and focus adjustment)

\* requires additional accessories