

RoughCam® IPM2036



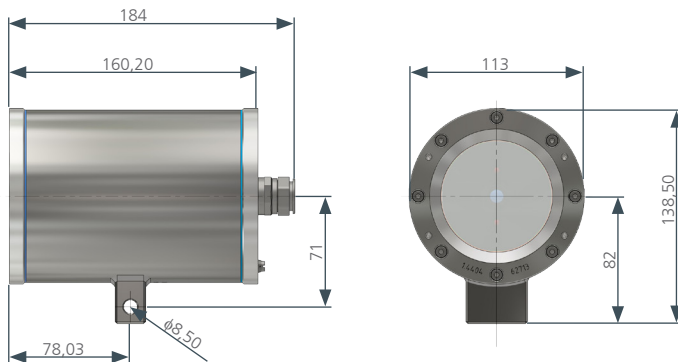
Datasheet.

Features.

- ✓ Extremely robust Camera for **Demanding Environments**
- ✓ Deep Learning Processing Unit (DLPU) for **Artificial Intelligence (AI)** Applications
- ✓ **Day & Night** Functionality
- ✓ Built-in **IR LEDs and Optimized IR**
- ✓ High Resolution: **4 MP/QHD 1440p**
- ✓ High Light Sensitivity with **1/2.7" CMOS Sensor**
- ✓ **Arctic-Temperatures (-60°C)**
- ✓ Protection Level of **IP66/68 (IEC 60529)**
- ✓ Zipstream and Videocompression **H.265**
- ✓ Optional with cool.Jacket for Use at **+120°C**



Dimensions [mm].



Models.

T10-VA2.0.K1.BOR- X- X- XXX- X- X- XXX

- 085 = 85°@16/9 HAV-Lens
- 056 = 56°@16/9 HAV-Lens
- 041 = 41°@16/9 HAV-Lens
- P = Plug RJ45 cable connection (standard)
- T = terminal box connection
- N = Non-armoured cable (standard)
- A = Armoured cable
- = Cable length (see UM) (005 = Standard)
- H = High temperature battery installed ($T_{amb} \leq +60^\circ\text{C}$)
- HH = Active cooling system for extreme high temp. ($T_{amb} \leq +120^\circ\text{C}$)**
- LL = Low Low temp., reinforced heater installed ($T_{amb} \geq -60^\circ\text{C}/-50^\circ\text{C}$ Type HH)
- VA2.0.K1.BOR = Camera in stainless steel housing 1.4404

T10 = Camera type No. 10, cameras for safe areas

Lens Options

T10-VA2.0.K1.BOR-X.X-XXX.X-X-085 (wide)
 T10-VA2.0.K1.BOR-X.X-XXX.X-X-056 (normal)
 T10-VA2.0.K1.BOR-X.X-XXX.X-X-041 (tele)

Megapixel lens 3.6mm
 Megapixel lens 6.0mm
 Megapixel lens 8.0mm

F1.8 IR HAoV@16/9=85° (standard)
 F1.9 IR HAoV@16/9=56°
 F1.8 IR HAoV@16/9=41°

Data.

RoughCam® IPM2036



Mechanical characteristics

Protection level (camera/terminal box):
Weight:

Camera: stainless steel (AISI 316L/1.4404), terminal box: Polyester resin
IP66/68 / IP66 (IEC/EN 60529)
ca.5 kg



Range of temperature

Type ...LL.H:
Type ...LL.HH:

-60°C bis +60°C
-50°C bis +120°C**



Power supply

Type ...LL.H:

PoE, IEEE 802.3af/802.3at Type 1 Class 3, typical 5 W, max. 12.95 W



Connection cable type

Outside diameter:

WWW.SAMCON.EU ... Cat.6 / 4x2xAWG22/1 ...; (.../AWG24/7 for -LL.HH-)
9 mm - 17 mm (6.6 mm for type -LL.HH-)



Lens

Type:

IR corrected fixed Iris, fixed focus lens;
with automatically removable IR-cut filter
0.5 m
Color: 0.18 lux at 50 IRE F2.1, B/W: 0.04 lux at 50 IRE F2.1
0 lux with IR illumination on (max. range of reach approx. 2m)***



Minimum focus distance:

Minimum illumination:



Camera

Image sensor:

Shutter speed:

Video compression:

1/2.7" progressive scan RGB CMOS

1/38500 s to 1/5 s

H.264 (MPEG-4 Part 10/AVC) Main and High Profiles, Motion JPEG,

H.265 (MPEG-H Part 2/HEVC) Main Profile

2304x1728 to 320x240 (4:3) / 2668x1512 (16:9)

Up to 25/30 fps (60/50 Hz)

Multiple, individually configurable streams in H.264, H.265 and Motion JPEG

Axis Zipstream technology in H.264 and H.265

Controllable frame rate and bandwidth, VBR/ABR/MBR H.264/H.265

Compression, contrast, brightness, sharpness,

WDR: up to 115 dB depending on scene, white balance, color,

exposure control, motion-adaptive exposure, text and image-overlay,

privacy masks, mirroring of images, rotation: 0°, 90°, 180°, 270° including Corridor Format

Digital PTZ

Support for microSD/microSDHC/microSDXC card (card not included in scope of delivery);

Support for recording to network-attached storage (NAS)



Resolution:

Frame rate:

Video streaming:

Image settings:

Pan/Tilt/Zoom:

Edge storage:



Network

Security:

Supported protocols:

Password protection, IP address filtering, HTTPS encryption,

Digest authentication, user access log, ...

IPv4/v6, HTTP, HTTPS, QoS Layer 3 DiffServ, FTP, SMTP,

Bonjour, UPnP, SNMPv1/v2c, v3(MIB-II), DNS, DynDNS, NTP, RTSP, RTP, TCP, UDP, IGMP, etc...



System integration

Application programming interface:

Included analytics:

Event trigger:

Event actions:

Data streaming:

Built-in installation aids:

Open API for software integration, including VAPIX® and AXIS Camera Application Plattform;

Specifications at www.axis.com; One-click cloud connection;

ONVIF® Profile S, ONVIF® Profile T und ONVIF® Profile G, specification at onvif.org

Deep Learning Processor Unit (DLPU), AXIS Object Analytics, AXIS Video Motion Detection,

active tampering alarm, support for AXIS Camera Application Plattform enabling installation of

third-party applications, see www.axis.com/acap

Analytics; I/O: manual trigger; edge storage of events, supervised external inputs, virtual inputs via API

Pre- and post-alarm video or image buffering for recording or upload

Upload of images or video clips: FTP, SFTP, HTTP, HTTPS, network share and E-Mail

Notification: E-Mail, HTTP, HTTPS, TCP and SNMP trap

Event data

Pixel counter, level grid

Optional accessories

Wall Mount Bracket (WMB), Pole mount Bracket (PMB), Weather Protection Roof (WPR),
non-armoured cable kits, armoured cable kits, Connection Rails, ...



* = Illustrations show models with accessories that are subjected to an extra charge.

** = This model requires the SAMCON cool.Jacket. The cooling water according to the requirements must be available or be produced.

*** = Range of reach of IR-illumination depending on scene (low light). See test report on IR-illumination or Usermanual.