

RoughCam® IPQ1615

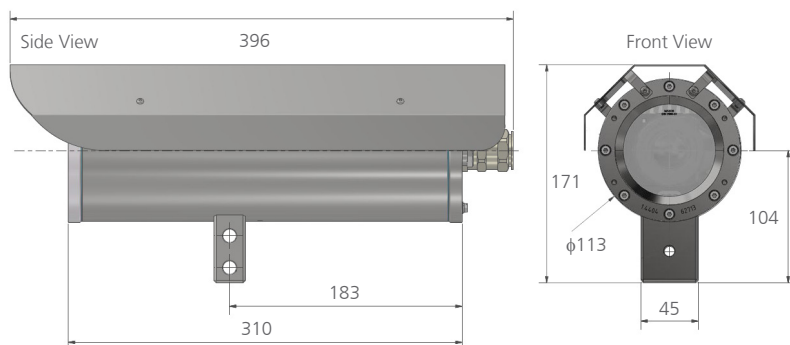


Datasheet.

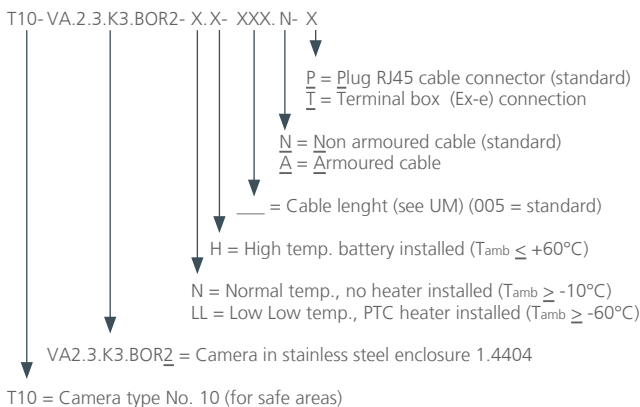
Features.

- ✓ Artificial Intelligence (AI) with Deep Learning
- ✓ Granular Object Classification
- ✓ Arctic-Temperature-Control (-60°C)
- ✓ Single-Cable-Solution (PoE / 24VDC)
- ✓ Protection Level of IP66/68 (IEC 60529)
- ✓ High Resolution: 1920x1080 (HDTV1080p at 100/120 fps)
- ✓ Powerful Remote Zoom and Focus Lens (supports i-CS)
- ✓ High Light Sensitivity with 1/2.8" CMOS Sensor
- ✓ Lightfinder 2.0 and Forensic WDR Technologies
- ✓ Easy VMS Integration
- ✓ Electronic Image Stabilization (EIS)

Dimensions [mm].

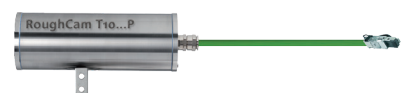


Models.



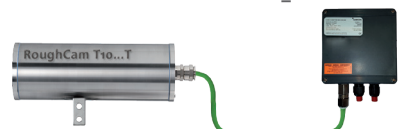
Plug Termination.

T10- VA2.3.K3.BOR2-X.X-XXX.N-P



Terminal Box Termination.

T10- VA2.3.K3.BOR2-X.X-XXX.N-T



Data.

RoughCam® IPQ1615



 IP66	Mechanical Characteristics (CAM/TB) Protection level (CAM/TB): Weight:	Stainless Steel (AISI 316L/1.4404), Polyester resin IP66/68, IP66 (IEC/EN 60529) ca.11 kg*
 IP68		
 +60°C	Range of temperature Type ...N.H: Type ...LL.H:	-10°C bis +60°C -60°C bis +60°C
 -60°C		
 Heater power supply	Camera power supply Heater power supply	IEEE 802.3af/802.3at Type 1 Class 3, typical 8.2 W, max 12.95 W 40W@24VDC@-60°C (see user manual)
	Connection cable type Outside diameter:	WWW.SAMCON.EU ... Cat.6a / 4x2xAWG22-26/ * 6.6 - 17 mm*
 Lens	Type: Field of view: Minimum illumination:	IR corrected i-CS lens; 2.8 – 8.5 mm, F1.2 HfOV: 98° – 40°, VfW: 61° – 22° Color: 0.05 lux at 50 IRE F1.2, B/W: 0.01 lux at 50 IRE F1.2 (25/30 fps with WDR and Lightfinder)
 Camera	Image sensor: Shutter time: Videocompression:	1/2.8" progressive scan RGB CMOS 1/125000 s to 2 s H.264 (MPEG-4 Part 10/AVC) Baseline, Main and High Profiles, H.265 (MPEG-H Part 2/HEVC) Main Profile, Motion JPEG 1920x1080 to 160x90
 HD 1080p	Resolution: Frame rate: Video streaming:	Up to 100/120 fps (60/50 Hz) in 1920x1080 (no WDR) Multiple, individually configurable streams in H.264, H.265 and Motion JPEG, Axis Zipstream technology in H.264 and H.265 Controllable frame rate and bandwidth, VBR/ABR/MBR H.264/H.265
	Image settings:	Saturation, contrast, brightness, sharpness, Forensic WDR, white balance, day/night threshold, tone mapping, exposure mode, exposure zones, defogging, mirroring of images, electronic image stabilization, compression, barrel distortion correction, dynamic text and image overlay, privacy masks, mirroring of images, rotation: 0°, 90°, 180°, 270° including Corridor Format Remote Zoom and Remote Focus
	Pan/Tilt/Zoom: Edge storage:	SD/SDHC/SDXC slot supporting memory card up to 64 GB (card not included); Support for recording to dedicated network-attached storage (NAS)
 Network	Security: Supported protocols:	Password protection, IP address filtering, HTTPS encryption, digest authentication, user access log IPv4/v6, HTTP, HTTPS, QoS Layer 3 DiffServ, FTP, SMTP, Bonjour, UPnP, SNMPv1/v2c/ v3(MIB-II), DNS, DynDNS, NTP, RTSP, RTP, TCP, UDP, IGMP, etc...
 ONVIF	System integration Application Programming Interface:	Open API for software integration, including VAPIX® and AXIS Camera Application Platform; specifications at www.axis.com ; AXIS Video Hosting System (AVHS) with One-Click Connection; ONVIF® Profile S, ONVIF® Profile T and ONVIF® Profile G, specification at onvif.org
	Analytics Included:	Deep Learning Processing Unit (DLPU), Machine Learning Processing Unit (MLPU), AXIS Object Analytics, AXIS Motion Guard, AXIS Loitering Guard, AXIS Video Motion Detection, active tampering alarm, audio detection, gatekeeper Supported AXIS Perimeter Defender, AXIS Cross Line Detection, Support for AXIS Camera Application Platform enabling installation of third-party applications, see www.axis.com/acap
	Event triggers: Event actions:	Analytics, edge storage events, supervised external input, edge storage events, virtual inputs through API Pre- and post-alarm video buffering File upload: FTP, SFTP, HTTP, HTTPS, network share and email Notification: email, HTTP, HTTPS, TCP and SNMP trap
	Data streaming: Built-in installation aids:	Event data Pixel counter
	Optional accessories	Wall mount bracket, Pole mount bracket, Ceiling mount bracket, Non-armoured cable kits, Armoured cable kits, ExConnection Rails, ...

