

RoughCam[®] IPQ1615

User Manual



Table of contents

1	Introduction	4
2	Technical data	5
2.1	Illustration of the model key.....	5
2.2	Electrical parameters of the camera.....	6
2.3	Connection cable.....	6
2.3.1	Connection cable for models without heater (SKD01-T/ASKD02-T).....	6
2.3.2	Connection cable for models with heater (SKDP03-T/ASKDP03-T).....	7
2.4	Video-technical characteristics	8
2.5	Other technical data	8
3	Safety Instructions	9
4	Installation	10
5	Electrical connection	12
5.1	Potential equalization	12
5.2	Connection work at the device (terminal box) and fuses	13
5.2.1	Fusing	18
5.2.2	Plug assignments (RJ45).....	19
5.2.3	Tests prior to switching on voltage	20
6	Working inside the camera housing.....	20
6.1	Preparation for work:	20
6.2	Opening the housing	21
6.3	Removing / inserting a SD memory card.....	23
6.4	Hardware Reset	24
6.5	Closing of the pressure-resistant housing	24
7	Network access and visualization	25
7.1	Browser Support.....	25
7.2	Assigning the IP address.....	25
7.3	Password/ Identification	26
8	Maintenance / Modification.....	26
9	Disposal / Recycling	26
10	Drawings & 3D models	27

Table of Figures and Charts

Figure 1-1 RoughCam IPQ1615 with weathershield and junction box.....	4
Table 2-1 Model key	5
Figure 2-1 Sectional view of SKD01-T.....	6
Figure 2-2 Sectional view of ASKD02-T	7
Figure 2-3 Sectional view of SKDP03-T	7
Figure 2-4 Sectional view of ASKDP03-T	8
Table 2-2 Other technical data	9
Table 4-1 Mounting accessories.....	11
Figure 5-1 RoughCam IPQ1615 Potential equalization	12
Table 5-1 Potential equalization	12
Figure 5-2 RoughCam IPQ1615 T10-VA2.3.K3.BOR2-N.H-xxx.N- T	13
Figure 5-3 RoughCam IPQ1615 T10-VA2.3.K3.BOR2-N.H-xxx.N- P	13
Figure 5-4 Video Tutorial ExTB-3	14
Table 5-2 Wire assignment of terminal box (without heater)	14
Table 5-3 Wire assignment of terminal box (model N and L/ASKD02-T).....	14
Table 5-4. Wire assignment of terminal box (integrated heater)	15
Table 5-5 Wire assignment of terminal box (model LL/ASKDP03-T).....	15
Figure 5-5 Sample circuit of terminal box (without heater)	16
Figure 5-6 Sample circuit of terminal box (heater integrated)	17
Figure 5-7 Photo of the wired terminal box.....	17
Table 5-6 Recommendation for fusing.....	18
Figure 5-8 Plug assignment, RJ45	19
Figure 6-1 Removing the weather protection roof (1/2) (this illustration is an example) ..	21
Figure 6-2 Removing the weather protection roof (2/2) (similar illustration)	21
Figure 6-3 Opening the RoughCam IPQ1615 (similar illustration).....	22
Figure 6-4 Structure of the camera (similar illustration)	23

History of revisions

Product: RoughCam® IPQ1615
 Title: User Manual for RoughCam® IPQ1615
 Doc. -Id. 210222-PT10BA-ES-RoughCam IPQ1615_en_rev.00.docx
 Author: Eva Schneider, Grad. Eng. (UAS)
 Created on: 22.02.2021

Rev. Index	Date	Name	Comment	Approved by the Supervisor
0	22.02.2021	E. Schneider	Compilation of the document	

1 Introduction

The RoughCam IPQ1615 is a powerful mega-pixel IP camera (2-mega-pixel resolution) with advanced analysis (object classification). It has a high-definition television resolution (1920x1080 with 100/120 images/s) and is equipped with a powerful remote zoom and remote focus lens. Besides this it has a Deep Learning Processor Unit for artificial intelligence with deep learning.

The RoughCam series is suitable for indoor as well as outdoor applications. It is extremely robust and therefore perfect for even the roughest industrial conditions. The stainless steel housing allows additional alloys, a powder coating, or coats of varnishes as well as various mechanical accessories in order to extend the resistance towards extreme environmental conditions (salt water, acid, solar radiation, high mechanical strains etc.). Due to the usage of high-quality PTFE sealings, not only the protection level IP68 is reached but also the chemical resistance is maximized. When designing the RoughCam IPQ1615 MKIII, we attached a very high importance to mechanical precision and high quality of stainless steel.



Figure 1-1 RoughCam IPQ1615 with weathershield and junction box

2 Technical data

2.1 Illustration of the model key

1) Productname	2) Type	3) Housing- combination	4) Temp.- range	5) Cable length [m]	6) Cable termin.
RoughCam IPQ1615	T10-	VA2.3.K3.BOR2-	N.H-	005.N-	P-
	T10-	VA2.3.K3.BOR2-	N.H-	005.N-	T-
	T10-	VA2.3.K3.BOR2-	N.H-	005.A-	P-
	T10-	VA2.3.K3.BOR2-	N.H-	005.A-	T-
	T10-	VA2.3.K3.BOR2-	LL.H-	005.N-	P-
	T10-	VA2.3.K3.BOR2-	LL.H-	005.N-	T-
	T10-	VA2.3.K3.BOR2-	LL.H-	005.A-	P-
	T10-	VA2.3.K3.BOR2-	LL.H-	005.A-	T-

Table 2-1 Model key

Explanations:

- 1) **RoughCam IPQ1615** = Functional camera description of the RoughCam Series (technical data/
specification of the individual camera module)

- 2) **T10** = SAMCON Production- Type 10 (for safe areas)

- 3) **VA2.3.K3.BOR2** = T11 housing (stainless steel 1.4404) with large diameter
 $\varnothing_{VA2}=113\text{mm}$
VA2.3.K3.BOR2 = T11 VA2.3 housing with maximum body length ($L_R = 310\text{mm}$)
VA2.3.K3.BOR2 = K3 cable gland flange
VA2.3.K3.BOR2 = Borosilicate sight glass DIN7080 (standard, for video cameras within visible
spectral range: $\lambda = 350\dots2000$ [nm] and photografical infrared range (NIR),
not suitable for thermographic applications (MIR/ FIR))

- 4) **N.X** = Normal ambient temperature range, no heater installed ($T_{amb} > -10^\circ\text{C}$)
N.H= High temperature ($T_{amb} < +60^\circ\text{C}$)
LL.H= PTC heater installed ($T_{amb} > -60^\circ\text{C}$)
LL.H= High temperature battery installed ($T_{amb} < +60^\circ\text{C}$)

- 5) **005.N** = Length of the connection line in meter at delivery; 5m is the
standard cable length, max. cable length is: 005...100 [m]
005.N = Non armoured cable
005.A = Armoured cable

- 6) **P** = Plug- termination (standard)
RJ-45 network plug, AWG 22/23/CAT7/6A,
contact assignment acc. To specification EIA/TIA-568B
T = Terminal Box termination (optional)
4 x PoE Mode A connection (camera PoE)
24VDC (Heater) (see chapter electrical connection)

2.2 Electrical parameters of the camera

Supply of 24 V DC for the heating:

Voltage supply:	22 V DC < U_{in} < 26 V DC
Power consumption:	Approx. 40W @ -60°C (depends on temperature)

Power supply of the camera via Ethernet (PoE):

Voltage supply:	PoE, IEEE 802.3af/802.3at type 1 class 3
Reference voltage:	+48 V DC (44...54 V DC)
Maximum power consumption:	12.95 W
Typical power consumption:	8.2 W

2.3 Connection cable

Description:	Data transfer and power supply of the camera module (compliant with DIN EN 60079-14)
Jacket colour:	Green (GN), similar to RAL3001

2.3.1 Connection cable for models without heater (SKD01-T/ASKD02-T)

Systemcable SKD01-T:

Outside diameter:	9.1 ± 0.2 mm
Bending radius:	10 x D_a when installed, 5 x D_a after relocation
Data line:	4 x 2 x AWG22/1 CAT.6
Properties:	PUR halogen-free, flame-retardant, UV-resistant, chemical resistance, shielded

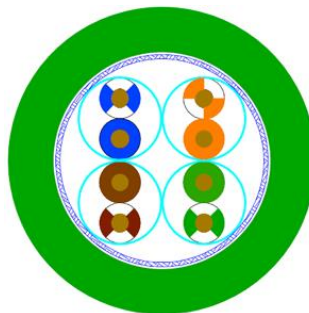


Figure 2-1 Sectional view of SKD01-T

Systemcable ASKD02-T:

Outside diameter:	12.0 ± 0.4 mm
Bending radius:	20 x D _a when installed and 10 x D _a after relocation
Data line:	4 x 2 x AWG23/1 CAT.6
Properties:	PUR halogen-free, flame-retardant, UV- resistant, chemical resistance, shielded (see www.samcon.eu)

Quicklink:

https://www.samcon.eu/fileadmin/documents/en/60-Assembling%26mounting/ASKD02-T_Datasheet.pdf

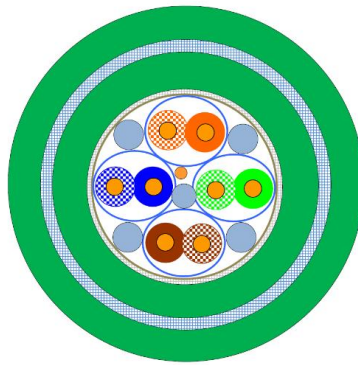


Figure 2-2 Sectional view of ASKD02-T

2.3.2 Connection cable for models with heater (SKDP03-T/ASKDP03-T)

Systemcable SKDP03-T:

Outside diameter:	12.40 ± 0.3 mm
Bending radius:	8 x D _a when installed and 4 x D _a after relocation
Data line:	4 x 2 x AWG23/1 CAT.6
Performance elements:	3G1.5 (BK-BU-GN/YE)
Properties:	PUR halogen-free, flame-retardant, UV- resistant, chemical resistance, shielded

Quick link:

https://www.samcon.eu/fileadmin/documents/en/60-Assembling%26mounting/SKDP03-T_Datasheet.pdf

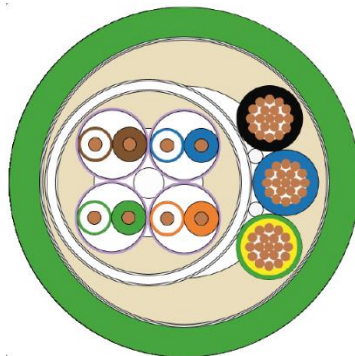


Figure 2-3 Sectional view of SKDP03-T

Systemcable ASKDP03-T:

Outside diameter:	15.50 ± 0.6 mm
Bending radius:	15 x D _a when installed and 10 x D _a after relocation
Data line:	4 x 2 x AWG23/1 CAT.6
Performance elements:	3G1.5 (BK-BU-GN/YE)
Properties:	PUR halogen-free, flame-retardant, UV- resistant, chemical resistance, shielded

Quicklink:

https://www.samcon.eu/fileadmin/documents/en/60- Assembling%26mounting/ASKDP03-T_Datasheet.pdf

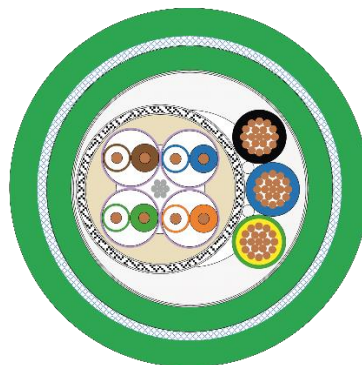


Figure 2-4 Sectional view of ASKDP03-T

2.4 Video-technical characteristics

We use the AXIS Q 1615 MkIII Network Camera in a pressure-resistant enclosure. For details, please refer to the Product Documentation, video-technical data of AXIS®:

<https://www.axis.com/products/axis-q1615-mkiii>



2.5 Other technical data

Protection class:	IP 68 (IEC /EN 60529)
Transport/storage temperature:	0°C...+50°C
Ambient temperature:	-10°C...+60°C (Typ...N.H) -60°C...+60°C (Typ...LL.H)

Further information: see <https://www.samcon.eu/en/products/roughcam/roughcam-ipq1615>

	Camera	Terminal box
Permissible ambient temperature	-10°C ... +60°C (for PoE power supply) -60°C ... +60°C (In the event of additional 24 V DC power supply)	-60°C ... +55°C
Protection class as per EN 60529/IEC 529	IP68 (Test conditions: 24h/3m water column 5°C)	IP66
Housing material	stainless steel, mat. no. 1.4404	polyester resin
Weight	about 11 kg	about 1 kg
Dimensions	D113mm x 310mm	145mm x 145mm x 71mm

Table 2-2 Other technical data

3 Safety Instructions

Please observe the national safety regulations and regulations for prevention of accidents, as well as to the safety instructions given below in this User Manual!



Attention!

Repairs may only be carried out by using original parts from the manufacturer. Repairs may only be carried out in accordance with the nationally applied regulations and exclusively by the manufacturer.



Attention!

Prior to installation, take external sources of heat or cold into account! The temperature ranges prescribed for storage, transport and operating must be adhered to!

4 Installation

For commissioning and operating the camera, the relevant national regulations, as well as the generally accepted rules of technology shall prevail. Before mounting the camera, thoroughly check it for any transport damage, especially on the housing and cable. Installation, electrical connection and the first start must only be carried out by qualified specialists.

Work preparation:



Attention!

Prepare your work carefully and in accordance with the relevant regulations.

To ensure the best image quality delivered by the network camera, plan the installation site carefully (consider light conditions, object distance or size, angle and minimum object distance to the focus).

- Use appropriate tools and aids.
- When working, ensure a safe stand.
- Make sure that any static charge is avoided.



Attention!

Please observe the national security, installation and accident prevention regulations and the safety instructions in this User Manual!

The RoughCam® IPQ1615 consists of a camera housing and, optionally (models with a terminal box ...-T), a terminal box. Both units are connected via a reinforced 5 m cable. Mount the camera according to the desired field of view. Install the terminal box so that a good accessibility is provided, in order to facilitate electrical connection.



Attention!

Please pay attention to the national and local regulations for mounting heavy loads. In case of doubt, take appropriate security measures.

Drawings for drill hole patterns and further information can be viewed on our product page:

Quick link:

<https://www.samcon.eu/en/products/roughcam/roughcam-ipq1615/>



Optional mounting accessories

<p>Wall bracket WMB-...</p>		<p>WALL MOUNT BRACKET WMB-VA2.3 Wall bracket for devices of T10-VA2.3 series Suitable for hanging the camera on walls. Material: stainless steel 1.4404 Load bearing: 45 kg Dimensions: 445 x 140 x 185 mm</p>
<p>Weather protec- tion roof WPR-...</p>		<p>WEATHER PROTECTION ROOF WPR-VA2.3 Weathershield for cameras of the T10-VA2.3- Series</p>
<p>Pole adapter PMB-...</p>		<p>WALL MOUNT BRACKET PMB-VA2.3 Pole adapter for VA wall mount Material: stainless steel 1.4404 Suitable for pole diameters between 50 and 100 mm Load-bearing capacity: 50 kg Dimensions: 120 x 180 (x 130 poles with Ø 60 mm)</p>

Table 4-1 Mounting accessories

5 Electrical connection



Attention!

The electrical connection of the equipment may only be carried out by qualified and skilled personnel!



Attention!

It is absolutely necessary to ground the RoughCam® series' housing via the PA connection.

The delivered RoughCam® IPQ1615 is equipped with an electrical connection cable of the type SKD01-T (models without heater) or type SKDP03-T (models with heater). The maximum transmission range from the camera to the next active network interface is 100 meters and can be individually specified by the client. The user is NOT authorised to do electrical connection procedures inside the pressure-resistant enclosure.

5.1 Potential equalization

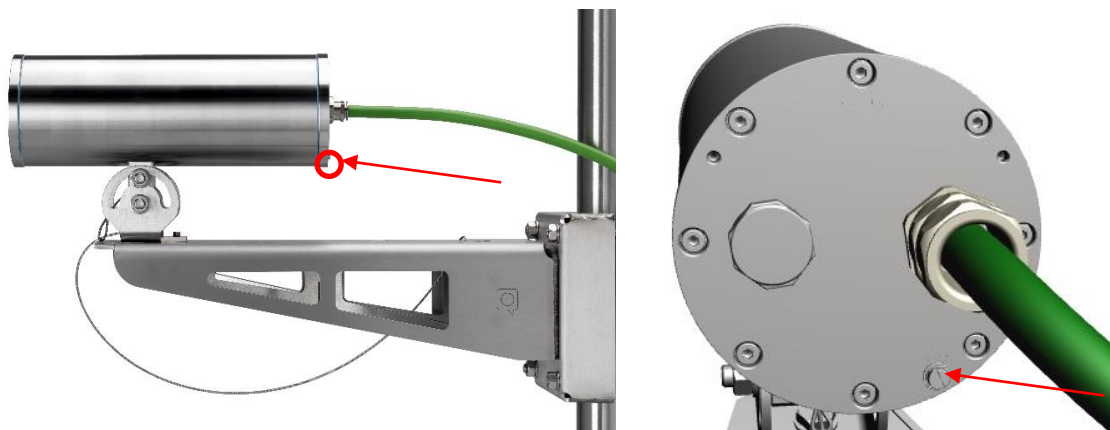


Figure 5-1 RoughCam IPQ1615 Potential equalization

Potential equalization/grounding of the camera housing is absolutely necessary, in order to avoid static charges and thus the formation of sparks. For this purpose, a screw terminal is provided at the rear side, at the bottom (right) (see Figure 5-1). The cross-section of the potential equalization should comply with the National Ground Rules (at least 4mm²).

Wiring table:

Potential	Colour (IEC 60757)	Cross-section	Comment
PA	GN/YE	4 mm ² (rigid)	Terminal: Slotted screw M4x0.7 (DIN 84) with washer Ø9mm (DIN 125A), Keep 3 Nm tightening torque!

Table 5-1 Potential equalization

5.2 Connection work at the device (terminal box) and fuses

Supply of 24V DC for the heating

Voltage supply:

22 V DC < U_{in} < 26 V DC

Power consumption:

Approx. 40W@-60°C (depends on temperature)

Power supply for the camera (PoE)

Voltage supply:

PoE, IEEE 802.3af/802.3at type 1 class 3

Reference voltage:

+48 V DC (44...54 V DC)

Maximum power consumption:

12.95 W

Typical power consumption:

8.2 W

The figures 5.2 and 5.3 illustrate the potential cable terminations of the RoughCam IPQ1615. Possible terminations are: terminal box or plug.

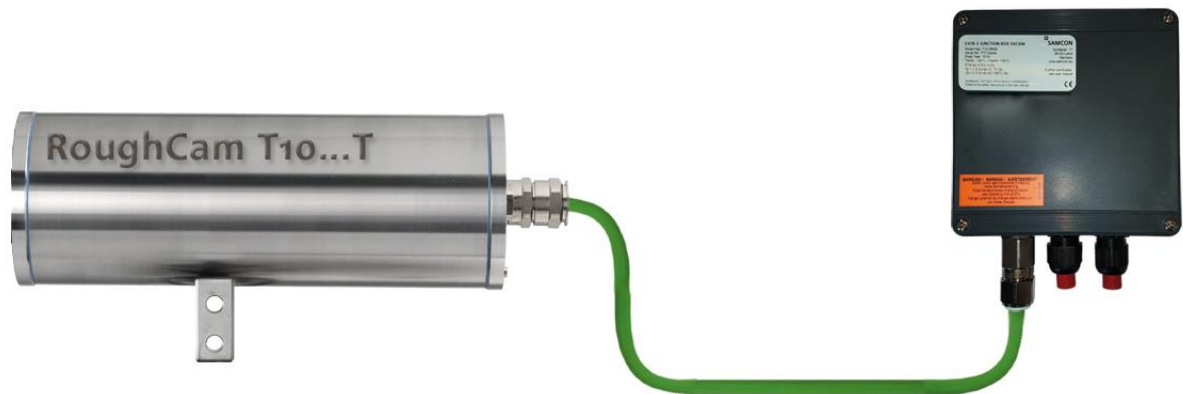


Figure 5-2 RoughCam IPQ1615 T10-VA2.3.K3.BOR2-N.H-xxx.N-T



Figure 5-3 RoughCam IPQ1615 T10-VA2.3.K3.BOR2-N.H-xxx.N-P

Video Tutorial:

Observe our video tutorial:

“SAMCON 01 Wiring the cable SKDP03-T to the junction box ExTB-3”

<https://go.samcon.eu/v01>





Figure 5-4 Video Tutorial ExTB-3

The pin assignment of the SKD01-T is executed in accordance with the standard EIA/TIA-568B for 100BaseTX and 24VDC, as follows:

Camera (T568B)	Colour SKD01-T (IEC60757)	Terminal	Cross-sectional surface	Comment
Tx+	WH / OG	1	0.32 mm ²	Solid conductor
Tx-	OG	2	0.32 mm ²	Solid conductor
Rx+	WH / GN	3	0.32 mm ²	Solid conductor
Rx-	GN	4	0.32 mm ²	Solid conductor
(PoE +48 VDC)	WH / BU	5	0.32 mm ²	Solid conductor
(PoE +48 VDC)	BU	6	0.32 mm ²	Solid conductor
(PoE GND)	WH / BN	7	0.32 mm ²	Solid conductor
(PoE GND)	BN	8	0.32 mm ²	Solid conductor
GND/SHD	YE / GN	PE	2.5 mm²	Flex

Table 5-2 Wire assignment of terminal box (without heater)

The pin assignment of the ASKD02-T is executed in accordance with the standard EIA/TIA-568B for 100BaseTX and 24VDC, as follows:

Camera (T568B)	Colour ASKD02-T (IEC60757)	Terminal box	Cross-sectional surface	Comment
Reinforcement	YE / GN	PE	2.5 mm²	Flex
Tx+	WH / OG	1	0.26 mm ²	Solid conductor
Tx-	OG	2	0.26 mm ²	Solid conductor
Rx+	WH / GN	3	0.26 mm ²	Solid conductor
Rx-	GN	4	0.26 mm ²	Solid conductor
(PoE +48 VDC)	WH / BU	5	0.26 mm ²	Solid conductor
(PoE +48 VDC)	BU	6	0.26 mm ²	Solid conductor
(PoE GND)	WH / BN	7	0.26 mm ²	Solid conductor
(PoE GND)	BN	8	0.26 mm ²	Solid conductor
GND/SHD	YE / GN	PE	2.5 mm²	Flex

Table 5-3 Wire assignment of terminal box (model N and L/ASKD02-T)

The pin assignment of the SKDP03-T is executed in accordance with the standard EIA/TIA-568B for 100BaseTX and 24VDC, as follows:

Camera (T568B)	Colour SKDP03-T (IEC60757)	Terminal box	Cross-sectional surface	Comment
Tx+	WH / OG	1	0.26 mm ²	Solid conductor
Tx-	OG	2	0.26 mm ²	Solid conductor
Rx+	WH / GN	3	0.26 mm ²	Solid conductor
Rx-	GN	4	0.26 mm ²	Solid conductor
(PoE +48 VDC)	WH / BU	5	0.26 mm ²	Solid conductor
(PoE +48 VDC)	BU	6	0.26 mm ²	Solid conductor
(PoE GND)	WH / BN	7	0.26 mm ²	Solid conductor
(PoE GND)	BN	8	0.26 mm ²	Solid conductor
GND/SHD	YE / GN	PE	2.5 mm²	Flex
L+	BK	9	1.5 mm ²	L+ 24VDC
L-	BU	10	1.5 mm ²	L- 24VDC
PE	YE / GN	PE	1.5 mm ²	PE

Table 5-4. Wire assignment of terminal box (integrated heater)

The pin assignment of the ASKDP03-T is executed in accordance with the standard EIA/TIA-568B for 100BaseTX and 24VDC, as follows:

Camera (T568B)	Colour ASKDP03-T (IEC60757)	Terminal box	Cross-sectional surface	Comment
Reinforcement	YE / GN	PE	2.5 mm²	Flex
Tx+	WH / OG	1	0.26 mm ²	Solid conductor
Tx-	OG	2	0.26 mm ²	Solid conductor
Rx+	WH / GN	3	0.26 mm ²	Solid conductor
Rx-	GN	4	0.26 mm ²	Solid conductor
(PoE +48 VDC)	WH / BU	5	0.26 mm ²	Solid conductor
(PoE +48 VDC)	BU	6	0.26 mm ²	Solid conductor
(PoE GND)	WH / BN	7	0.26 mm ²	Solid conductor
(PoE GND)	BN	8	0.26 mm ²	Solid conductor
GND/SHD	YE / GN	PE	2.5 mm²	Flex
L+	BK	9	1.5 mm ²	L+ 24VDC
L-	BU	10	1.5 mm ²	L- 24VDC
PE	YE / GN	PE	1.5 mm ²	PE

Table 5-5 Wire assignment of terminal box (model LL/ASKDP03-T)

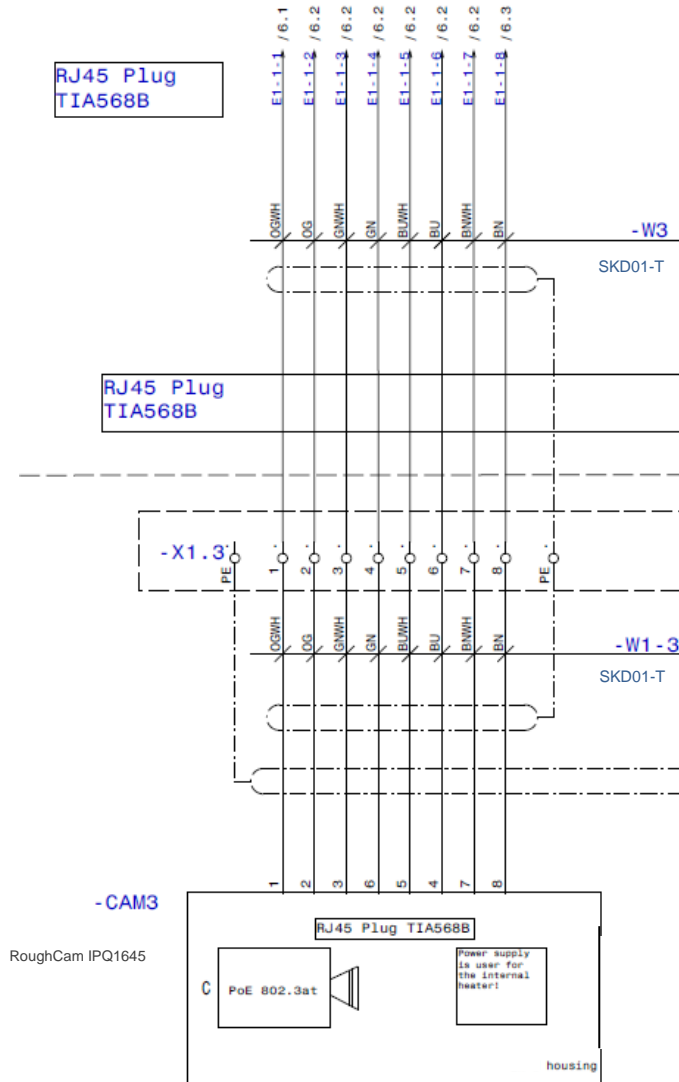


Figure 5-5 Sample circuit of terminal box (without heater)

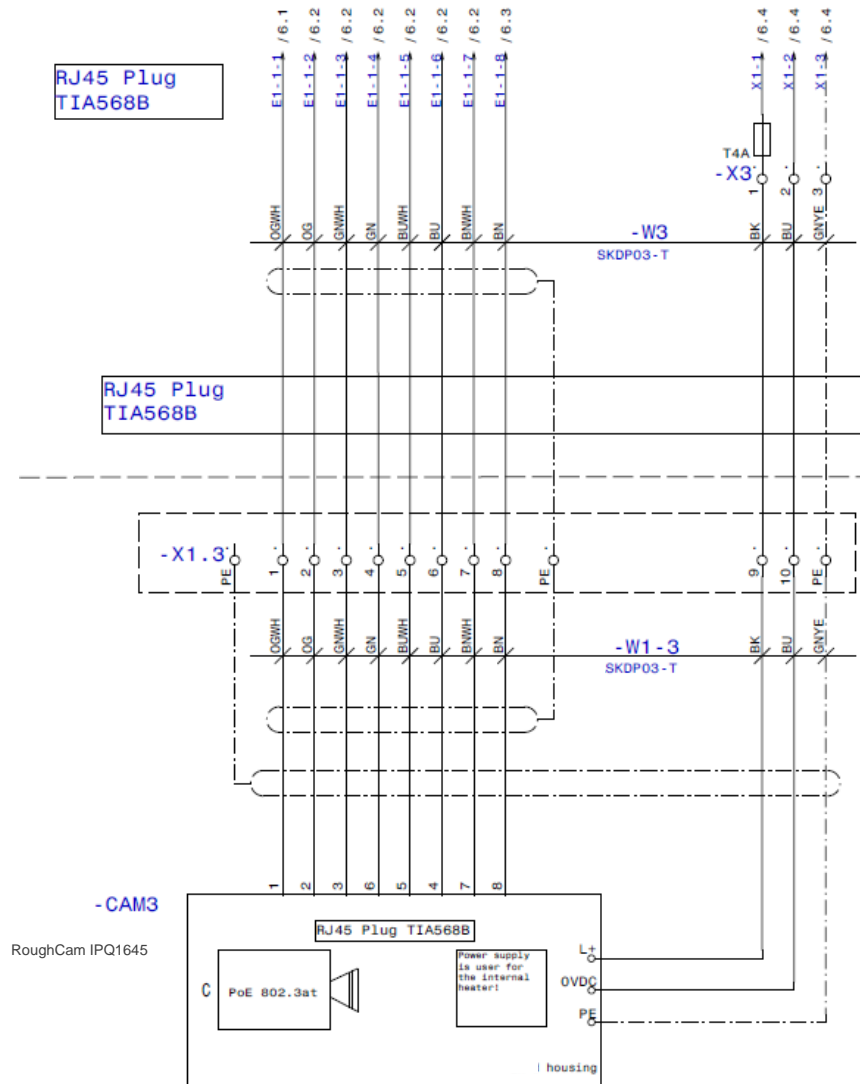


Figure 5-6 Sample circuit of terminal box (heater integrated)

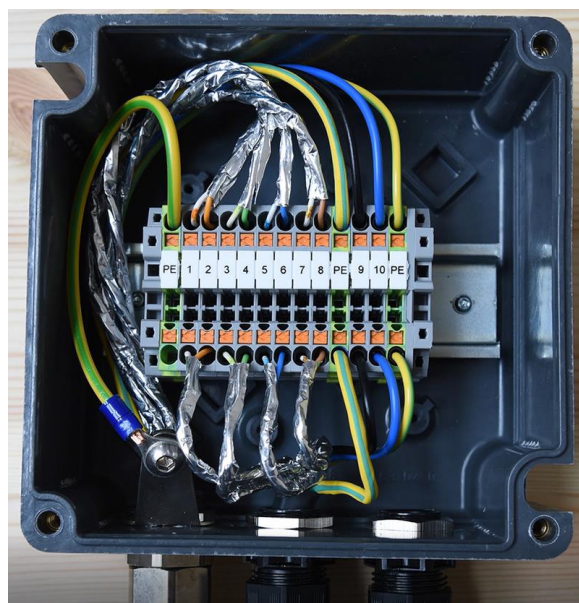


Figure 5-7 Photo of the wired terminal box



Attention!

Introduce the foiling up to about 15 mm close to the terminals, in order to prevent alien crosstalk. Make sure that the foiling cannot cause any short circuit of the data pairs!



Attention!

Bring the twisted pair composite up to about 10 mm close to the terminals, in order to ensure interference immunity.



Attention!

Use only terminals approved by SAMCON.



Attention!

Finally, check your network installation with a Class-D Link Test.

5.2.1 Fusing

PoE power supply requires no fuses. The power supply fusing depends on the cable cross-section and length.



Attention!

Recommendation for fusing relates to 40W@24VDC at 100 meters and 1.5 mm²



Attention!

When the heating switches on, high current peaks occur! Use slow-blow fuses.



Attention!

Please pay attention to the national and international regulations regarding selectivity and line protection.

Potential/ Wire no.	Colour (IEC60757)	Conductor	Voltage	Maximum power consumption/fusing:
L+ / 1	BK	1.5mm ² , stranded wire	+24 V DC	40 W of continuous power Fine-wire fuse (L+) 4000 mA -T- slow-blow (high inrush load!)
L- / 2	BU	1.5mm ² , stranded wire	0 V DC / GND	
PE	YE/GN	1.5mm ² , stranded wire	PE	

Table 5-6 Recommendation for fusing

5.2.2 Plug assignments (RJ45)

The data transfer of the RoughCam IPQ1615 series uses a 100 Mbit/s Ethernet connection (100BASE-TX). If the cable termination uses a plug, the latter should be plugged into the RJ45 PoE slot of the network device (PSE). Prior to connecting it to the camera, the network device (PSE) can already be supplied with power, hence there is no „power ON“ priority which has to be observed.



Attention!

Use appropriate RJ45 plugs! Check the cable shielding, cross-section and the outside diameter!



Attention!

It is imperative to ensure a correct routing of the individual wires according to the EIA/TIA-568B"



Attention!

Finally, check your network installation with a Class-D Link Test.

Detailed instructions on how to connect a RJ45 plug are available in our video tutorial: "SAMCON 03 Mounting and installing the RJ45 jack to SAMCON cables" <https://go.samcon.eu/v03>



Figure 5-8 Plug assignment, RJ45

5.2.3 Tests prior to switching on voltage



Attention!

Prior to starting the device, perform all tests as indicated by the national regulations. Furthermore, check the correct function and installation of the device in accordance with this User Manual and other applicable regulations.



Attention!

Incorrect installation or operation of the camera may lead to a loss of warranty!



Attention!

Do not switch on the camera at temperatures below 0°C!

6 Working inside the camera housing

The customer may open the housing only if it is absolutely necessary. Only exchanging the SD memory card or a hardware reset are reasons for this.

6.1 Preparation for work:



Attention!

Prepare your work carefully and in accordance with the relevant regulations.

6.2 Opening the housing

If the RoughCam IPQ1615 is equipped with a weather protection roof this has to be removed prior to starting your work! To do so, loosen the 4x8mm lens screws M4*0.7 at the front and rear sides of the bracket holders (Figure 6-1).

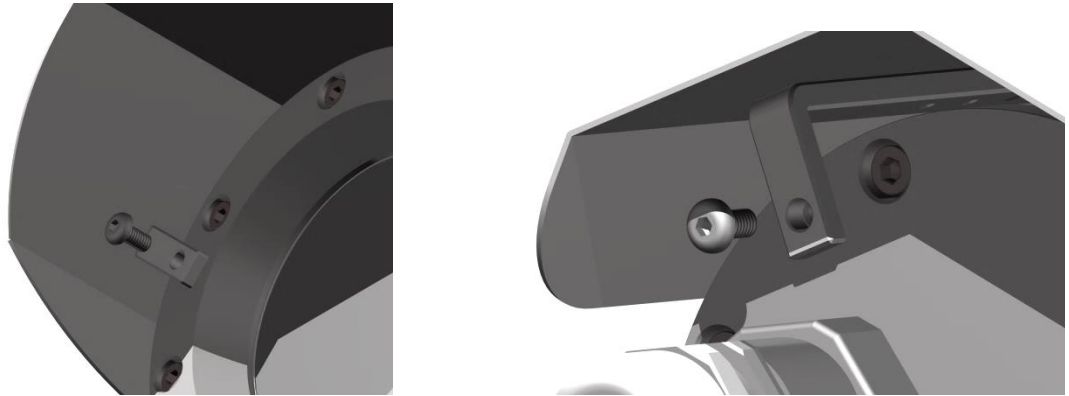


Figure 6-1 Removing the weather protection roof (1/2) (this illustration is an example)

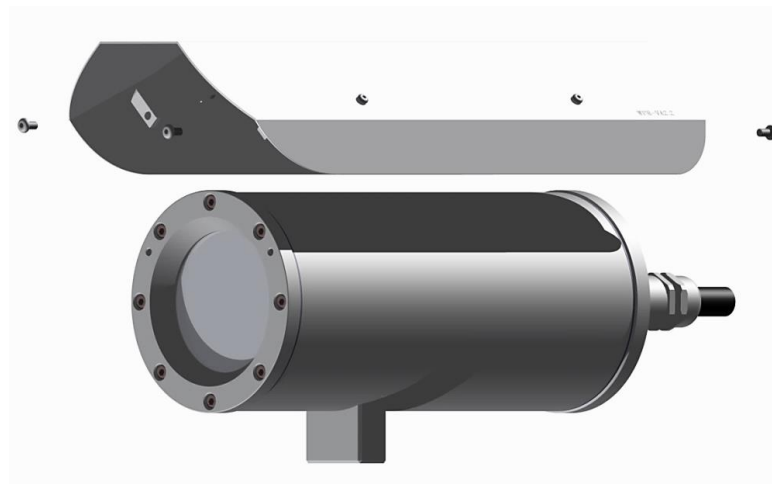


Figure 6-2 Removing the weather protection roof (2/2) (similar illustration)

To open the stainless-steel housing (T11 VA2.3.x.x) of RoughCam IPQ1615, loosen the eight cylinder-head hexagon screws (DIN 912/ ISO 4762) together with their spring rings (DIN 127A) on the rear side of the cable and power supply flange (see Figure 6-3). Caution: do not touch the screw threads with your skin or clothes! On the threads, there is LOCTITE® 243™ (chemical basis is dimethacrylate ester) applied to prevent the bolted connection from unintentional loosening because of impacts and vibrations and to seal them tightly. It is not permitted for the customer to open the front-side sight glass flange! There is no need of such an action.

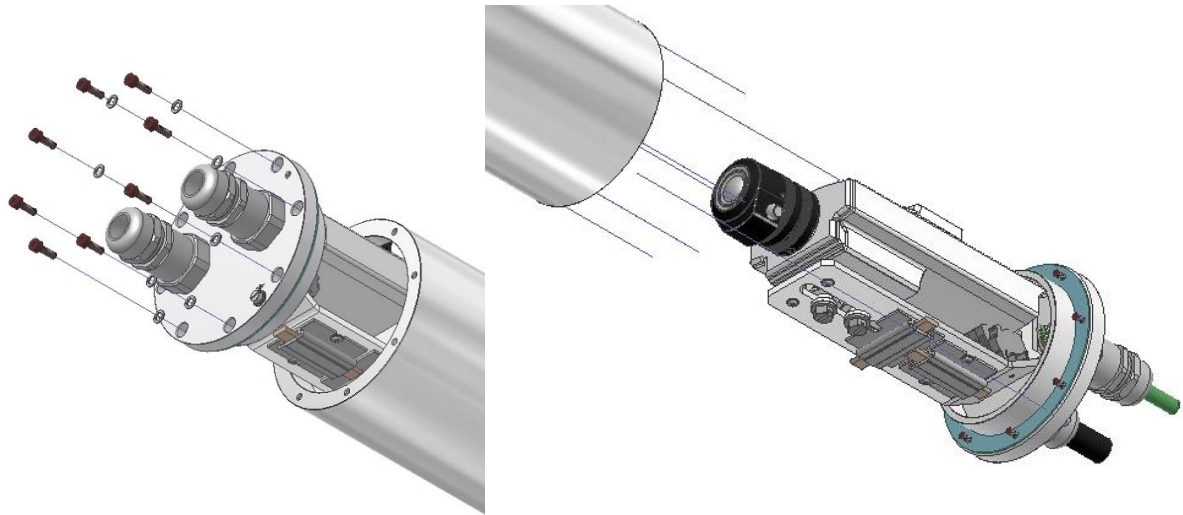


Figure 6-3 Opening the RoughCam IPQ1615 (similar illustration)

Carefully pull out the cable and supply flange to the rear, as straight as possible. Because of negative pressure, it may be difficult to remove the flange.

Attention: The mounting adapter with the housing's PTC heater, camera module and optics, as well as the temperature control, and (if applicable) auxiliary relays and terminal block are fixed on the cable and supply flange. Dealing with these components, too, you have to work very carefully and precisely in order to avoid canting and damage to the in-built components! Caution: do not touch the cylindrical fit surface with your skin or clothes! On the surface, there is oil lubricating paste to protect the surface against fretting corrosion and mechanical stresses.

When you open the housing, pay attention that you do not damage the GYLON® flat seal (blue, RAL5012) and do not make it dirty! The flat gasket is loosely attached to the cable and power supply flange. It is fixed only by the bolted connections!

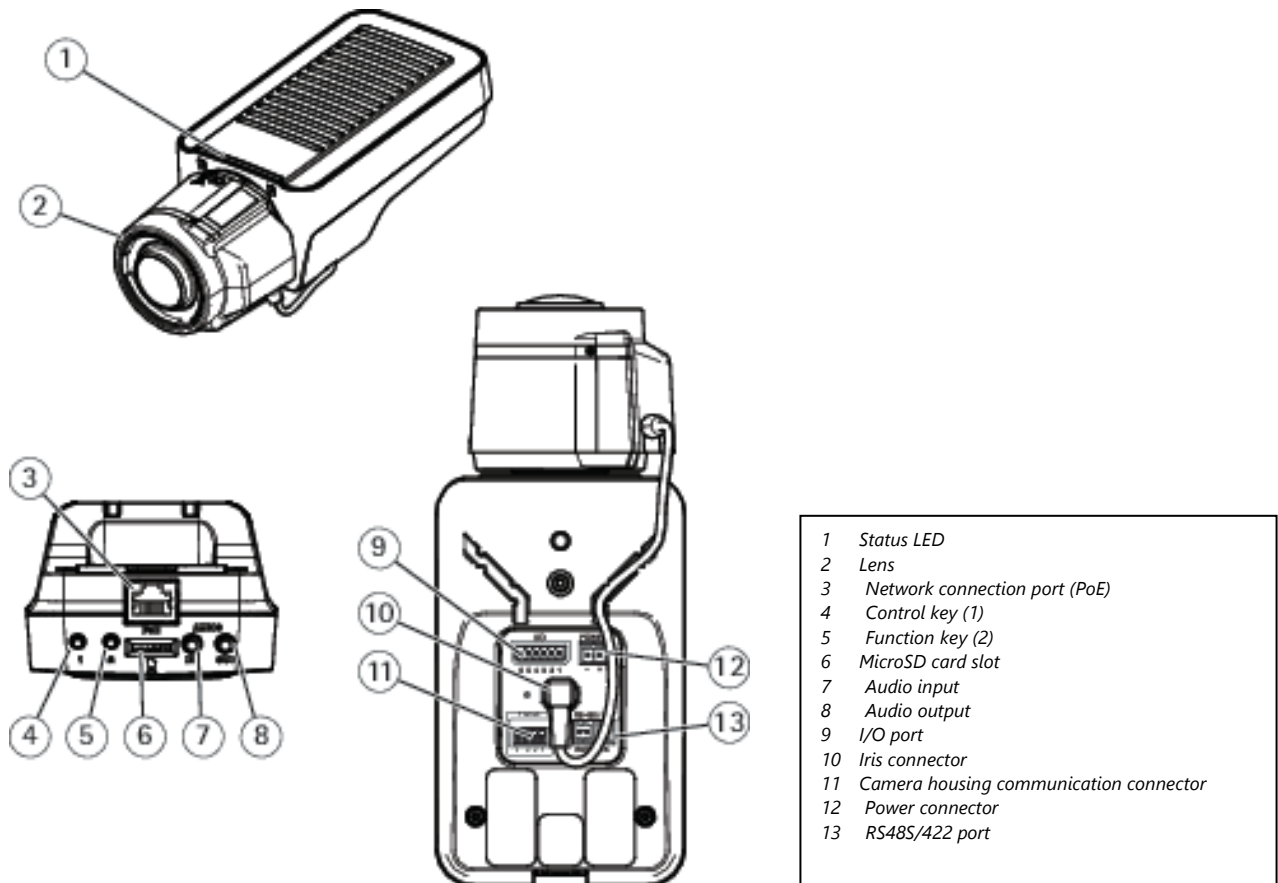


Figure 6-4 Structure of the camera (similar illustration)

6.3 Removing / inserting a SD memory card

Note:

The RoughCam IPQ1615 has a slot for a micro SDHC memory card (card not included). Saved video files can be played and deleted via the web interface. They are also available in a download list. Moreover, the videos available in the memory card can also be accessed via FTP server in the network.

If the memory card has to be replaced by the user, it should be, as far as possible, empty and pre-formatted with an ext4 or vFAT file system.



When touching electrical components, observe potential equalization (grounding of the body): carry electrostatic-discharge clothes, a PE wristband etc.!

6.4 Hardware Reset

To set all the parameters of the RoughCam IPQ1615 (including the IP address) to default values, you should run a hardware reset.

The parameters can be reset via the web interface or manually. If the camera placed in the network can no longer be reached or its state is uncontrollable, the reset should be performed manually. To do so, proceed as follows:

1. Disconnect the camera installation module (Axis Q1615) from the power supply.
2. Press and hold the control button (see illustration) and, at the same time, connect the system to the voltage supply (PoE).
3. Hold the control button pressed for about 30 seconds.
4. Release the control button. After about a minute, the AXIS Q1615 MkIII will return to factory defaults. If there is a DHCP server in the network, the IP address will be the following: 192.168.0.90 (subnet masking 255.255.255.0).
5. IP address and password can be redefined. If the hardware reset is not satisfactory or the network camera shows serious conflicts or does not work as usual (errors in the browser visualisation, frozen images, control commands no longer processed, slowing down of the system, etc.), it may be necessary to re-install the current firmware, or to install an update (see Chapter 7).

6.5 Closing of the pressure-resistant housing

For closing the housing, proceed in reverse order as when opening. Use exclusively original screws included in the supply. The cable and power-supply flange (K3) is fixed by 8 cylinder-head screws M4*0,7 (ISO metric right-turning) with 30 mm thread length (DIN 912/ ISO 4762, grade 6g). Materials of bolted connections are identical to the stainless steel housing (standard material no. 1.4404 AISI316L). Check whether the threaded holes are undamaged and clean.



Attention!

Do not lock-in any foreign objects in the housing.

Dismantled screw locks (spring washers DIN 127A) must be used again. The GYLON® gasket must be used in undamaged condition, according to the flange hole pattern, and placed between the flange and the hull. The lateral position of the flat surface / contact surface is arbitrary. If, when closing the housing, you see that the surface of the fitting gap is dirty or insufficiently lubricated, clean it with a clean cloth and de-grease it with a suitable cleaning agent. Then re-grease it with lubricant suitable for this specific application (e.g., Molykote® P-40 gel for standard applications or special grease OKS 403 in the event of heavy seawater influence).



Cylinder-head bolts for connection of the camera body with the flange component must be tightened at a 3 Nm torque - crosswise and evenly!

7 Network access and visualization

The most important procedures of the first starting up the camera are described below. The configuration menu of the web surface allows an intuitive navigation and offers several configuration possibilities. For detailed documentation and information how to use the web Interface, please see the User Manual for Axis or visit the following website:

<https://www.axis.com/products/axis-q1615-mk-iii>



The delivered RoughCam IPQ1615 is set to the applicable net frequency (50Hz or 60Hz). If the camera is used at a location with a differing net frequency, the image might start to flicker, particularly in surroundings with fluorescent tubes. In such a case, the applicable settings have to be carried out inside the menu “System Options > Advanced > Plain Config”.

User: root
Password: root



7.1 Browser Support

A list of the currently supported web browsers, operating systems, required add-ons, etc. can be viewed at:

http://www.axis.com/techsup/cam_servers/tech_notes/browsers.htm

7.2 Assigning the IP address

The RoughCam IPQ1615 is intended for use in an Ethernet network and requires an IP address to access and control it. In the most today's networks, a DHCP server is integrated. This server automatically assigns an IP address.

If there is no DHCP server available in the network, the IP default address of RoughCam IPQ1615 is **“192.168.0.90” (subnet masking 255.255.255.0)**.

With the “AXIS IP Utility”, it is possible to determine the IP address under Windows; the included USB stick contains this application.



If it is not possible to assign the IP address, it might be necessary to change the firewall settings!

The “AXIS IP Utility“ tool automatically recognizes all RoughCam devices and visualises them in the device list. It can also be used to manually assign a static IP address.

7.3 Password/ Identification

The following user name is set at the factory: **root**

The following password is set at the factory: **root**

8 Maintenance / Modification

The required maintenance intervals are specific to the individual devices. The operating company has to determine these intervals depending on the application parameters. If maintenance measures are necessary they have to be initiated and/or executed.

Repairs may only be carried out with original parts of SAMCON Prozessleittechnik GmbH. In case of doubt, send the part in question back to SAMCON Prozessleittechnik GmbH. Rebuilding of or alterations to the devices are not permitted.

9 Disposal / Recycling

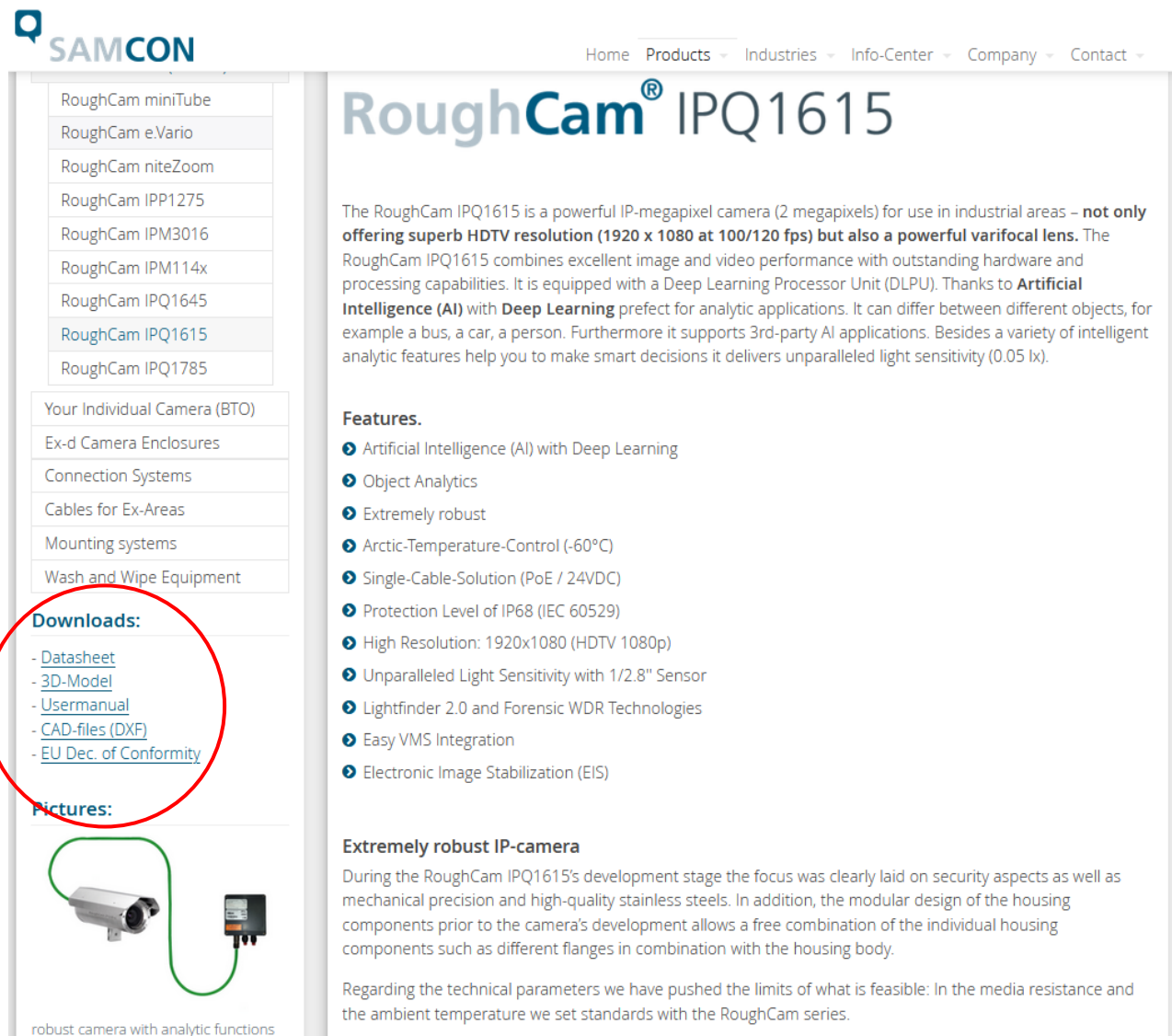
When disposing of the device, nationally applicable regulations must be observed.

This Document is subject to alterations and additions.

10 Drawings & 3D models

All drawings, 3D models, certificates and other information are available in the download area of the product page on our website:

<https://www.samcon.eu/en/products/roughcam/roughcam-ipq1615/>



SAMCON Home Products Industries Info-Center Company Contact

RoughCam[®] IPQ1615

The RoughCam IPQ1615 is a powerful IP-megapixel camera (2 megapixels) for use in industrial areas – **not only offering superb HDTV resolution (1920 x 1080 at 100/120 fps) but also a powerful varifocal lens.** The RoughCam IPQ1615 combines excellent image and video performance with outstanding hardware and processing capabilities. It is equipped with a Deep Learning Processor Unit (DLPU). Thanks to **Artificial Intelligence (AI) with Deep Learning** perfect for analytic applications. It can differ between different objects, for example a bus, a car, a person. Furthermore it supports 3rd-party AI applications. Besides a variety of intelligent analytic features help you to make smart decisions it delivers unparalleled light sensitivity (0.05 lx).

Features.

- Artificial Intelligence (AI) with Deep Learning
- Object Analytics
- Extremely robust
- Arctic-Temperature-Control (-60°C)
- Single-Cable-Solution (PoE / 24VDC)
- Protection Level of IP68 (IEC 60529)
- High Resolution: 1920x1080 (HDTV 1080p)
- Unparalleled Light Sensitivity with 1/2.8" Sensor
- Lightfinder 2.0 and Forensic WDR Technologies
- Easy VMS Integration
- Electronic Image Stabilization (EIS)

Extremely robust IP-camera


During the RoughCam IPQ1615's development stage the focus was clearly laid on security aspects as well as mechanical precision and high-quality stainless steels. In addition, the modular design of the housing components prior to the camera's development allows a free combination of the individual housing components such as different flanges in combination with the housing body.

Regarding the technical parameters we have pushed the limits of what is feasible: In the media resistance and the ambient temperature we set standards with the RoughCam series.

Downloads:

- [Datasheet](#)
- [3D-Model](#)
- [Usermanual](#)
- [CAD-files \(DXF\)](#)
- [EU Dec. of Conformity](#)

Pictures:



robust camera with analytic functions

If you wish additional technical information, please contact us at: support@samcon.eu



SAMCON

Schillerstrasse 17, 35102 Lohra-Altenvers,
Germany
www.samcon.eu, info@samcon.eu
Phone: +49 6426 9231-0, fax: - 31

