

RoughCam® IPQ1645

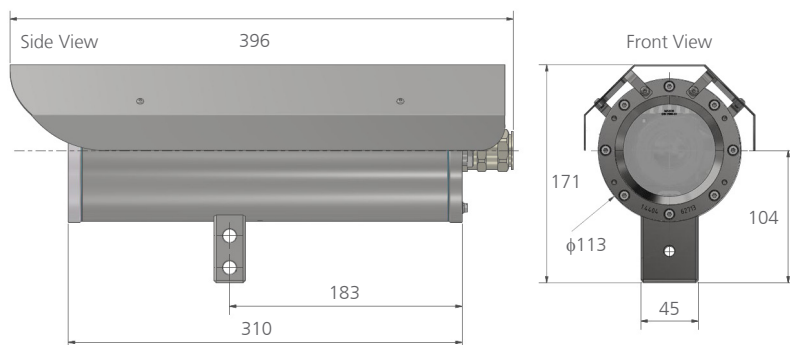


Datasheet.

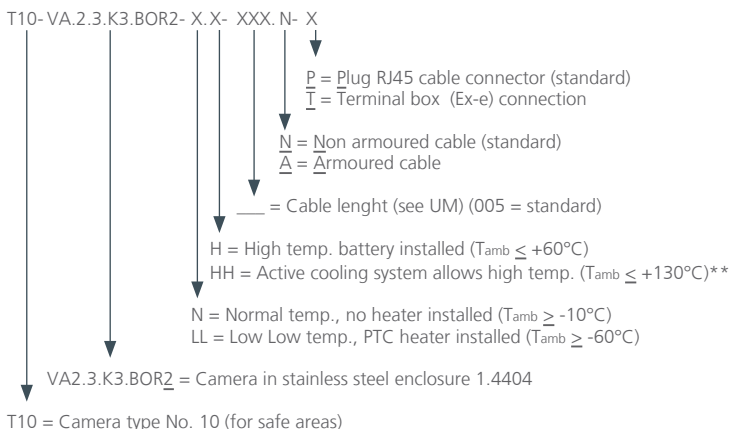
Features.

- ✓ Arctic-Temperature-Control (-60°C)
- ✓ Single-Cable-Solution (PoE / 24VDC)
- ✓ Protection Level of IP66/68 (IEC 60529)
- ✓ High Resolution: 1920x1080 (HDTV1080p at 100/120 fps)
- ✓ Powerful Remote Zoom and Focus Lens (supports i-CS)
- ✓ High Light Sensitivity with 1/2" CMOS Sensor
- ✓ Lightfinder and WDR Technologies
- ✓ Easy VMS Integration
- ✓ Electronic Image Stabilization (EIS)
- ✓ The optional Enclosure Cooling System cool.Jacket allows the Use at High Temperatures (+130°C)

Dimensions [mm].

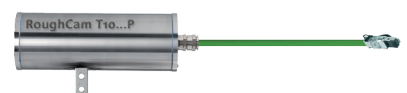


Models.



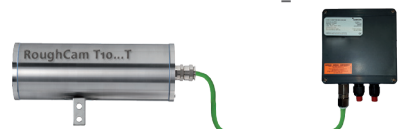
Plug Termination.

T10- VA2.3.K3.BOR2-X.X-XXX.N-P



Terminal Box Termination.

T10- VA2.3.K3.BOR2-X.X-XXX.N-I



Data.

RoughCam® IPQ1645



Schillerstrasse 17
D-35102 Lohra-Altenvers

info@samcon.eu
T: +49 6426 9231-0
F: +49 6426 9231-31

IP66

Mechanical Characteristics (CAM/TB)

Protection level (CAM/TB):
Weight:

Stainless Steel (AISI 316L/1.4404), Polyester resin
IP66/68, IP66 (IEC/EN 60529)
ca. 11 kg*

IP68

Range of temperature

Type ...N.H:
Type ...LL.H:
Type ...L.HH:

-60°C to +130°C*
-10°C bis +60°C
-60°C bis +60°C
-10°C bis +130°C**



Camera power supply Heater power supply

IEEE 802.3af/802.3at Type 1 Class 3, typical 4.5 W, max 9.1 W
40W@24VDC@-60°C (see user manual)



Connection cable type

Outside diameter:

WWW.SAMCON.EU ... Cat.6a / 4x2xAWG22-26/ *
6.6 - 17 mm*



Lens

Type:
Field of view:
Minimum illumination:

IR corrected i-CS lens; 3.9 – 10.0 mm, F1.5
HfOV: 85° – 42°, VfoW: 47° – 23°
Color: 0.03 lux at 50 IRE F1.5, B/W: 0.01 lux at 50 IRE F1.5



Camera

Image sensor:
Shutter time:
Videocompression:

1/2" progressive scan RGB CMOS
1/100000 s to 2 s
H.264 (MPEG-4 Part 10/AVC) Baseline, Main and High Profiles
Motion JPEG



Resolution:
Frame rate:
Video streaming:

1920x1080 to 320x180
Up to 100/120 fps (60/50 Hz) in 1920x1080 (no WDR)
Multiple, individually configurable streams in H.264 and Motion JPEG
Axis Zipstream technology in H.264

Image settings:

Controllable frame rate and bandwidth, VBR/MBR H.264
Saturation, contrast, brightness, sharpness, Forensic WDR, white balance,
exposure mode, exposure zones, compression, mirroring of images,
electronic image stabilization, barrel distortion correction,
text and image overlay, dynamic text and image overlay, privacy masks,
Rotation: 0°, 90°, 180°, 270° including Corridor Format
Remote Zoom and Remote Focus
SD/SDHC/SDXC slot supporting memory card up to 64 GB (card not included);
Support for recording to dedicated network-attached storage (NAS)

Pan/Tilt/Zoom:
Edge storage:



Network

Security:
Supported protocols:

Password protection, IP address filtering, HTTPS encryption,
digest authentication, user access log
IPv4/v6, HTTP, HTTPS, QoS Layer 3 DiffServ, FTP, SMTP,
Bonjour, UPnP, SNMPv1/v2c, v3(MIB-II),
DNS, DynDNS, NTP, RTSP, RTP, TCP, UDP, IGMP, etc...



System integration

Application Programming Interface:

Open API for software integration, including VAPIX® and AXIS Camera Application Platform;
specifications at www.axis.com; AXIS Video Hosting System (AVHS) with One-Click Connection;
ONVIF® Profile S and ONVIF® Profile G, specification at onvif.org

Analytics Included:

AXIS Video Motion Detection, active tampering alarm, gatekeeper Supported AXIS Perimeter Defender,
AXIS Cross Line Detection Support for AXIS Camera Application Platform enabling installation of
third-party applications, see www.axis.com/acap

Event triggers:

Analytics, edge storage events, supervised external input, edge storage events, virtual inputs
through API

Event actions:

Pre- and post-alarm video buffering
File upload: FTP, SFTP, HTTP, HTTPS, network share and email
Notification: email, HTTP, HTTPS, TCP and SNMP trap

Data streaming:

Event data
Pixel counter

Built-in installation aids:

Optional accessories

Wall mount bracket, Pole mount bracket, Ceiling mount bracket,
Non-armoured cable kits, Armoured cable kits
ExConnection Rails, ...

* = depending on model

** = These model requires the SAMCON cool.Jacket. The cooling water according to the requirements must be available or be produced.

*** = illustrations show models with accessories that are subjected to an extra charge

