

RoughCam® IPQ1656



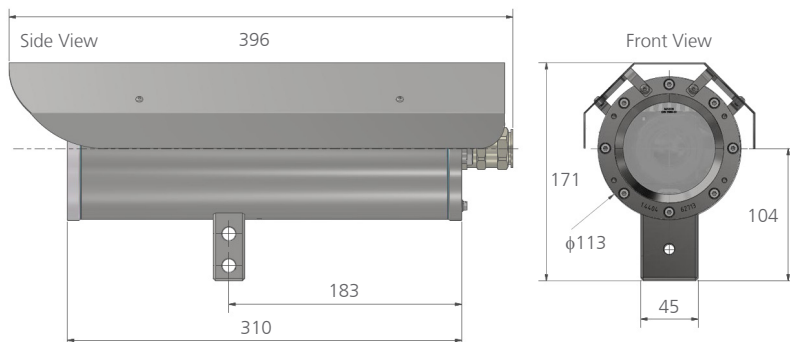
Datasheet.

Features.

- ✓ Extremely robust Camera for Demanding Environments
- ✓ Deep Learning Processing Unit (DLPU) for Artificial Intelligence (AI) Applications
- ✓ Granular Object Classification
- ✓ Ki-based Dynamic Privacy Shield
- ✓ High Resolution: 4MP (QuadHD at up to 60 fps)
- ✓ Powerful Remote Zoom and Focus Lens (supports i-CS)
- ✓ High Light Sensitivity with 1/1.8" CMOS Sensor
- ✓ Arctic-Temperature-Control (-60°C)
- ✓ Single-Cable-Solution (PoE / 24VDC)
- ✓ Protection Level of IP68 (IEC 60529)
- ✓ Electronic Image Stabilization (EIS)



Dimensions [mm].



Models.

T10- VA.2.3.K3.BOR2- X.X- XXX.X- X

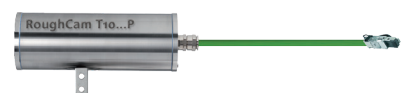
P = Plug RJ45 cable connector (standard)
 T = Terminal box (Ex-e) connection
 N = Non armoured cable (standard)
 A = Armoured cable
 ___ = Cable length (see UM) (005 = standard)
 H = High temp. battery installed ($T_{amb} \leq +60^{\circ}\text{C}$)
 N = Normal temp., no heater installed ($T_{amb} \geq -20^{\circ}\text{C}$)
 LL = Low Low temp., PTC heater installed ($T_{amb} \geq -60^{\circ}\text{C}$)

VA2.3.K3.BOR2 = Camera in stainless steel enclosure 1.4404

T10 = Camera type No. 10 (TÜV 18...), cameras for safe areas

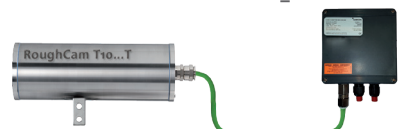
Plug Termination.

T10- VA2.3.K3.BOR2-X.X-XXX.X-P



Terminal Box Termination.

T10- VA2.3.K3.BOR2-X.X-XXX.X-T



Data.

RoughCam® IPQ1656



	Mechanical Characteristics (CAM/TB) Protection level (CAM/TB): Weight:	Stainless Steel (AISI 316L/1.4404), Polyester resin IP66/68, IP66 (IEC/EN 60529) 7.9 kg
	Range of temperature	
	Type ...N.H:	-20°C bis +60°C
	Type ...LL.H:	-60°C bis +60°C
	Camera power supply Heater power supply	IEEE 802.3af/802.3at Type 1 Class 3, typical 5.1 W, max 8.2 W 40W@24VDC@-60°C (see user manual)
	Connection cable type Outside diameter:	WWW.SAMCON.EU ... Cat.6 / 4x2xAWG23/1 ... 9 mm - 17 mm
	Lens Type: Field of view: Minimum illumination: Minimum Object Distance:	IR corrected i-CS lens; 3.9 – 10 mm, F1.5 HfOV: 100° – 47°, VfoV: 63° – 27° Color: 0.05 lux at 50 IRE F1.5, B/W: 0.01 lux at 50 IRE F1.5 (at 25/30 fps with WDR and Lightfinder) Color: 0.1 lux at 50 IRE F1.5, B/W: 0.02 lux at 50 IRE F1.5 (at 50/60 fps with Lightfinder) 1 cm
	Camera Image sensor: Shutter time: Videocompression:	1/1.8" progressive scan RGB CMOS 1/47500 s to 1 s H.264 (MPEG-4 Part 10/AVC) Baseline, Main and High Profiles, H.265 (MPEG-H Part 2/HEVC) Main Profile, Motion JPEG
	Resolution: Frame rate: Video streaming: Multi-View Streaming: Image settings: Pan/Tilt/Zoom: Edge storage:	16:9 2688x1512 QuadHD to 160x90; 4:3 2016x1512 to 160x120 Up to 60/50 fps (60/50 Hz) in all resolutions (no WDR); Up to 30/25 fps (60/50 Hz) in all resolutions Multiple, individually configurable streams in H.264, H.265 and Motion JPEG; Axis Zipstream technology in H.264 and H.265; Controllable frame rate and bandwidth, VBR/ABR/MBR H.264/H.265 Up to 8 individually cropped out view areas Saturation, contrast, brightness, Forensic WDR, white balance, day/night threshold, tone mapping, exposure mode, exposure zones, defogging, electronic image stabilization, compression, barrel distortion correction, dynamic text and image overlay, polygon privacy masks, mirroring of images, rotation: 0°, 90°, 180°, 270° including Corridor Format Digital PTZ, preset positions, uploadable PTZ driver, Remote Zoom and Remote Focus SD/SDHC/SDXC slot supporting memory card (card not included); Support for recording to dedicated network-attached storage (NAS)
	Network Security: Supported protocols:	IEEE 802.1X (EAP-TLS, PEAP-MSCHAPv2), IEEE 802.1AR, HTTPS/HSTS, TLS v1.2/v1.3, Network Time Security (NTS), X.509 Certificate PKI, host-based firewall, signed firmware, brute force delay protection, digest authentication, password protection, AXIS Edge Vault, ... IPv4/v6, USGv6, HTTP, HTTPS, HTTP/2, TLS, QoS Layer 3 DiffServ, FTP, SFTP, CIFS/SMB, SMTP, Bonjour, UPnP, SNMPv1/v2c, v3(MIB-II), DNS, DynDNS, NTP, NTS, RTSP, RTP, TCP, UDP, IGMP, etc...
	System integration Application Programming Interface: Analytics Included: Event triggers: Event actions: Data streaming: Built-in installation aids:	Open API for software integration, including VAPIX® and AXIS Camera Application Platform; specifications at www.axis.com; AXIS Video Hosting System (AVHS) with One-Click Connection; ONVIF® Profile S, ONVIF® Profile M, ONVIF® Profile T and ONVIF® Profile G, specification at onvif.org Deep Learning Processing Unit (DLPU), AXIS Object Analytics, AXIS Motion Guard, AXIS Loitering Guard, AXIS Video Motion Detection, active tampering alarm, audio detection, gatekeeper Supported AXIS Perimeter Defender, AXIS Cross Line Detection, Support for AXIS Camera Application Platform enabling installation of third-party applications, see www.axis.com/acap Analytics, edge storage events, supervised external input, edge storage events, virtual inputs through API Pre- and post-alarm video buffering File upload: FTP, SFTP, HTTP, HTTPS, network share and email Notification: email, HTTP, HTTPS, TCP and SNMP trap Event data Remote zoom and focus, remote back focus, leveling assistant, pixel counter
	Optional accessories	Wall mount bracket, Pole mount bracket, Ceiling mount bracket, Non-armoured cable kits, Armoured cable kits, ExConnection Rails, ...



* = illustrations show models with accessories that are subjected to an extra charge