

RoughCam® IPQ1765



Datasheet.

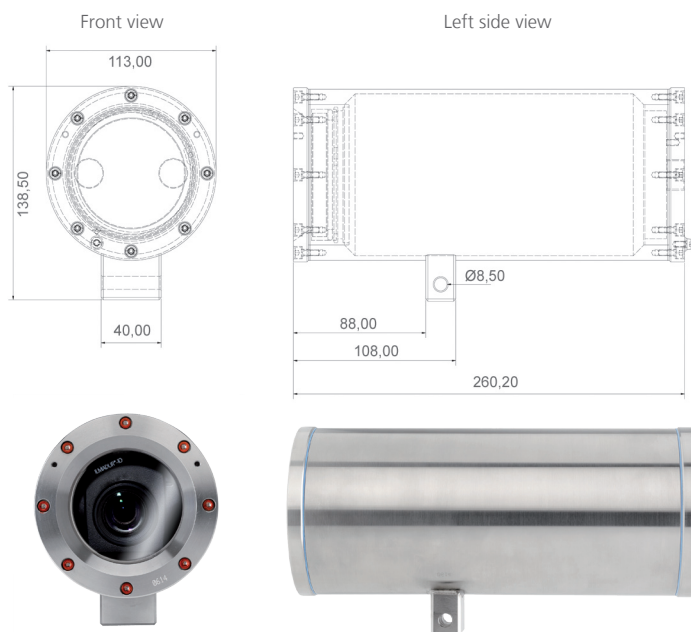
Features.

- ✓ High resolution: **1920x1080** (HDTV 1080p)
- ✓ Powerful Motor-Zoom-Lens (**18x optical**) and **Autofokus** functionality
- ✓ Single-cable-solution (**PoE**) IEEE 802.3af
- ✓ Protection level of **IP68** (IEC 60529)
- ✓ Easy integration in a complex video surveillance system



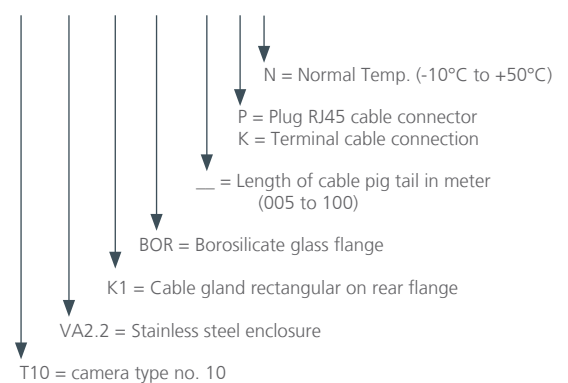
Dimensions.

T10-VA2.2 .K1.BOR



Models.

T10- VA2.2. K1. BOR - XXX- X- X



Datasheet.

RoughCam® IPQ1765



Schillerstrasse 17
D-35102 Lohra-Altenvers

info@samcon.eu
T: +49 6426 9231-0
F: +49 6426 9231-31



Mechanical characteristics

Housing material: Stainless Steel 1.4404 (AISI 316L) or optional 1.4301 (AISI 304)
Protection level: IP 68 (IEC / EN 60529)
Weight: T10-VA2.2-K1: 5200g



Range of temperature

T10-VA2.2.K1.BOR-XXX-X-N: -10°C to +50°C



Electrical characteristics

Power supply (camera): PoE, IEEE 802.3af/802.3at Type 1 Class 3
Max. 12.95W, typical 4.5W

Connection cable

Outside diameter: 9.1 ± 0.2 mm
Twisted pair structure (data): 4 x 2 x AWG22/1 CAT.6a



Lens

Type: 4.7-84.6 mm, F1.6-2.8
Horizontal angle of view: 59°-4°
Minimum illumination: Colour: 0.5 lx, B/W: 0.04 lx
Autofocus, Automatic day/night IR filter



Camera

Image sensor: Progressive scan RGB CMOS 1/2.9"
Shutter time: 1/28000 s to 2 s
Video compression: H.264 (MPEG-4 Part 10/AVC) Baseline, High, and Main Profiles Motion JPEG
Resolutions: 1920x1080 HDTV 1080p to 160x100
Frame rate H.264 / Motion JPEG: 25/30 fps in all resolutions
Pan/Tilt/Zoom: Zoom: 18x optical and 12x digital
Video streaming: Multiple, individually configurable streams in H.264 and Motion JPEG
Image settings: Controllable frame rate and bandwidth VBR/CBR H.264 Compression, Brightness, Sharpness, White balance, Exposure control, Exposure zones, Backlight compensation, Fine tuning of behavior at low light, Mirroring of images, Rotation: Auto, 0°, 90°, 180°, 270° including Corridor Format (not applicable in analog video output), Text and image overlay, Privacy mask, WDR – dynamic capture, Defogging, Day/Night shift level, Noise reduction
Edge storage: Support for SD/SDHC/SDXC card Support for recording to dedicated network-attached storage (NAS) For SD card and NAS recommendations see www.axis.com



Network

Security: Password protection, IP address filtering, HTTPSa encryption, IEEE 802.1Xa network access control, Digest authentication, User access log Supported protocols: IPv4/v6, HTTP, HTTPS*, QoS Layer 3 DiffServ, FTP, SMTP, Bonjour, UPnP, SNMPv1/v2c, v3(MIB-II), DNS, DynDNS, NTP, RTSP, RTP, TCP, UDP, IGMP, RTCP, ICMP, DHCP, ARP, SOCKS
Application Programming Interface: Open API for software integration, including VAPIX®, Support for AXIS Camera Application Platform,, AXIS Cross Line Detection, AXIS Digital Autotracking; specifications at www.axis.com AXIS Video Hosting System (AVHS) with One-Click Camera Connection ONVIF Profile S, specifications at www.onvif.org
Intelligent video: Video motion detection, Tampering alarm, Audio detection, Gatekeeper, AXIS Camera Application Platform e enabling installation of additional application
Alarm triggers / Alarm events: Detectors, Hardware, Input signal, PTZ, Edge storage events, System, Time, File upload: FTP, SFTP, HTTP, network share / email Notification: email, HTTP and TCP External output activation Video recording to edge storage, Play audio clip Pre- and post-alarm video buffering PTZpreset, Overlaytext, SendSNMPtrap, StatusLED, WDRmod

