

# RoughCam® IPQ1785

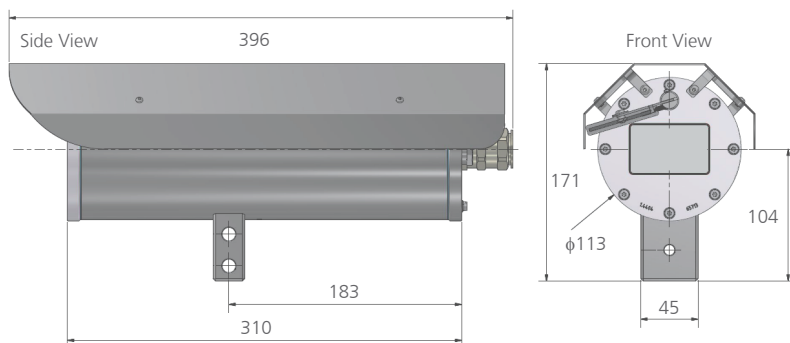


## Datasheet.

### Features.

- ✓ Powerful Wiper Solution with Torque Control
- ✓ Arctic-Temperature-Control (-60°C)
- ✓ Single-Cable-Solution (PoE / 24VDC)
- ✓ Protection Level of IP68 (IEC 60529)
- ✓ High Resolution: 1920x1080 (HDTV 1080p)
- ✓ Powerful Motor-Zoom-Autofocus-Lens (32x Optical)
- ✓ Lightfinder and WDR Technologies
- ✓ Easy VMS Integration

### Dimensions [mm].



### Models.

T10-VA.2.3.K3.BORX- X. H- XXX. X- X

P = Plug RJ45 cable connector (standard)  
 T = Terminal box connection  
 N = Non armoured cable (standard)  
 A = Armoured cable  
 \_\_\_ = Cable length (see UM) (005 = standard)  
 H = High Temp. ( $T_{amb} \leq +60^{\circ}C$ )  
 N = Normal Temp., no heater installed ( $T_{amb} \geq -10^{\circ}C$ ) (standard)  
 L = Low Temp., PTC heater installed ( $T_{amb} \geq -30^{\circ}C$ )  
 LL = Low Low Temp., PTC heater installed ( $T_{amb} \geq -60^{\circ}C$ )

VA2.3.K3.BOR5 = Camera in stainless steel housing 1.4404 with wiper  
 VA2.3.K3.BOR2 = Camera in stainless steel housing 1.4404 without wiper

T10 = Camera type No. 10 for Safe Areas

### Plug Termination.

T10-VA2.3.K3.BOR5-X.X-XXX.X-P



### Terminal Box Termination.

T10-VA2.3.K3.BOR5-X.X-XXX.X-T



\*\*

## Data.

# RoughCam® IPQ1785



**Housing material (CAM/TB):**  
Protection level (CAM/TB):  
Weight:

Stainless Steel (AISI 316L/1.4404), Polyester resin  
IP68, IP66 (IEC/EN 60529)  
ca.9 kg\*



**Range of temperature:**

-60°C to +60°C\*



**Camera power supply (N, LL):**  
**Camera power supply (L):**  
**Heater power supply (LL):**

IEEE 802.3af/802.3at Type 1 Class 3 Typical 7.7 W, max 12.95 W  
IEEE 802.3af/802.3at Type 2 Class 4 (25.5W@-30°C)  
40W@24VDC@-60°C\* (see user manual)



**Connection cable type:**  
Outside diameter:

WWW.SAMCON.EU ... Cat.6 / 4x2xAWG23/1 ...\*  
8.9 mm ± 0.3 mm\*



### Lens

Type:  
Field of view:  
Minimum illumination:

4.3 – 137 mm, F1.4 – 4.0, Autofocus  
HFOV: 60° – 2.3°, VFOV: 39° – 1.3°  
Color: 0.16 lux at 50 IRE F1.4, B/W: 0.03 lux at 50 IRE F1.4



### Camera

Image sensor:  
Shutter time:

1/2.8" progressive scan RGB CMOS  
1/66500 s to 1 s



Videocompression:  
Resolution:  
Frame rate:

H.264 (MPEG-4 Part 10/AVC) Baseline, Main and High Profiles Motion JPEG  
1920x1080 HDTV 1080p

Video streaming:

With WDR: Up to 30/25 fps (60/50 Hz) in all resolutions  
Without WDR: Up to 60/50 fps (60/50 Hz) in all resolutions  
Multiple, individually configurable streams in H.264 and Motion JPEG  
Axis Zipstream technology in H.264

Image settings:

Controllable frame rate and bandwidth, VBR/MBR H.264  
Saturation, contrast, brightness, sharpness, Forensic WDR, white balance,  
exposure mode, exposure zones, compression, mirroring of images,  
electronic image stabilization, barrel distortion correction,  
text and image overlay, dynamic text and image overlay, privacy masks,  
Rotation: 0°, 90°, 180°, 270° including Corridor Format  
32x optical zoom, preset positions

Pan/Tilt/Zoom:

Edge storage:

SD/SDHC/SDXC slot supporting memory card up to 64 GB (card not included);  
Support for recording to dedicated network-attached storage (NAS)



### Network

Security:

Password protection, IP address filtering, HTTPS encryption,  
digest authentication, user access log  
IPv4/v6, HTTP, HTTPS, QoS Layer 3 DiffServ, FTP, SMTP,  
Bonjour, UPnP, SNMPv1/v2c, v3(MIB-II),  
DNS, DynDNS, NTP, RTSP, RTP, TCP, UDP, IGMP, etc...

Supported protocols:



### System integration

Application Programming Interface:

Open API for software integration, including VAPIX® and AXIS Camera Application Platform;  
specifications at [www.axis.com](http://www.axis.com); AXIS Video Hosting System (AVHS) with One-Click Connection;  
ONVIF® Profile S, ONVIF® Profile G and ONVIF® Profile T, specification at [onvif.org](http://onvif.org)  
AXIS Video Motion Detection, active tampering alarm, gatekeeper Supported AXIS Perimeter Defender,  
AXIS Cross Line Detection Support for AXIS Camera Application Platform enabling installation of  
third-party applications, see [www.axis.com/acap](http://www.axis.com/acap)

Analytics Included:

Analytics, edge storage events, supervised external input, edge storage events, virtual inputs  
through API

Event triggers:

Pre- and post-alarm video buffering  
File upload: FTP, SFTP, HTTP, HTTPS, network share and email  
Notification: email, HTTP, HTTPS, TCP and SNMP trap

Event actions:

Event data  
Pixel counter

Data streaming:

Built-in installation aids:

### Optional accessories:

Wall mount bracket, Pole mount bracket, Ceiling mount bracket,  
Non-armoured cable kits, armoured cable kits  
Connection Rails, ...

\* = depending on model

\*\* = illustrations show models with accessories that are subjected to an extra charge

