

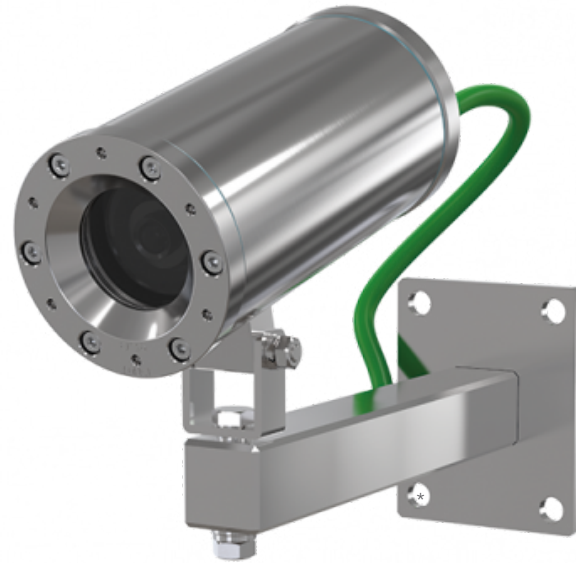
RoughCam® miniTube IP



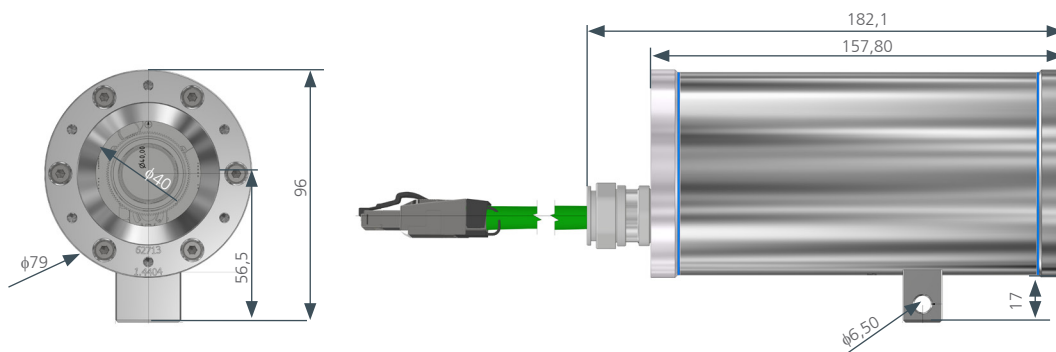
Datasheet.

Features.

- ✓ Ultra compact and light
- ✓ Day & Night Functionality
- ✓ Motorized Varifocal Lens
- ✓ High Resolution: FullHD 1920x1080p
- ✓ High Light Sensitivity with 1/2.8" CMOS Sensor
- ✓ Protection Level of IP66/68 (IEC 60529)
- ✓ Single-Cable-Solution (PoE)
- ✓ Multi-Streaming and Videocompression H.265



Dimensions [mm].



Models.

T10-VA1.2.K1.BOR- X- X- XXX- X- X

P = Plug RJ45 cable connection (standard)
 T = terminal box connection
 N = Non-armoured cable (standard)
 A = Armoured cable
 — = Cable length (see UM)
 (005 = Standard)
 N = No modification for high temperatures ($T_{amb} \leq +50^{\circ}\text{C}$)
 N = Normal temperatures ($T_{amb} \geq -30^{\circ}\text{C}$)
 VA1.2.K1.BOR = Camera in stainless steel housing 1.4404
 T10 = Camera type No. 10 (TÜV 18..), Cameras for Safe Areas

	Mechanical characteristics Protection level (camera/terminal box): Weight:	Camera: stainless steel (AISI 316L/1.4404), terminal box: Polyester resin IP66/68 / IP66 (IEC/EN 60529) ca. 2.6 kg	
	Range of temperature	-30°C bis +50°C	Schillerstrasse 17 D-35102 Lohra-Altenvers
	Power supply	PoE, IEEE 802.3af Type 1 Class 2, typical 3.0 W, max. 4.4 W	info@samcon.eu T: +49 6426 9231-0 F: +49 6426 9231-31
	Connection cable type Outside diameter:	WWW.SAMCON.EU ... Cat.6 / 4x2xAWG23/1 ... 9 mm - 17 mm	
	Lens Type: DORI: Aperture control: Focal length: Field of view: Illumination: Minimum Object Distance (MOD):	Motorized varifocus lens with switchable IR-filter (ICR) Detection (125px/m) 8.2-40.1m, Observation (862px/m) 16.6-80.5m, Recognition (25px/m) 44-198m, Identification (250px/m) 3.9-20.1m DC 2.7-13.5mm horizontal: 80° - 32°, vertical: 56° - 18° 0.0008 lux at 40 IRE F1.6 5 cm	
	Camera Image sensor: Shutter setting: Video compression: Resolution: Frame rate: Video streaming: Image settings: Pan/Tilt/Zoom:	1/2.8" CMOS Sony STARVIS, IMX307 ESC (automatic electronic shutter) 1/25000 s to 1/25 s H.264, H.264+, H.265, H.265+, Motion JPEG 1920x1080 (16:9), 1280x720 (16:9) 30 fps Multiple, individually configurable streams in H.264, H.265 and Motion JPEG; Multi-Streaming Backlight compensation (BLC, HLC), automatic day/night mode, white balance, DOL-WDR (120dB) 3-fold scan of images @25/30fps, compression, slow shutter, digital noise reduction (signal/noise ratio 50dB), flickerless function, motion detection, mirror function (mirror image, flip), privacy masks 4x optical zoom and digitale zoom, e-PTZ	
	Network Security: Supported protocols:	Password protection TCP/IP, IPv4/v6, UDP, HTTP, HTTPS, FTP, UPnP, RTSP, RTP, RTCP, DHCP, ARP, Zeroconf, Bonjour, SNMP	
	System integration Application programming interface: Included analytics: Event actions: Web Browser:	ONVIF® Profile S, ONVIF® Profile T, specification at onvif.org Object Analytics, Motion Detection, Manipulation E-Mail, HTTP, FTP, Boost, TCP, UDP, Onvif Event Mapping MS Internet Explorer: ActiveX from 9.0, Safari: MJPEG, Mozilla: MJPEG, Google Chrome: MJPEG, Edge: MJPEG	
	Optional accessories	Wall Mount Bracket (WMB), Pole mount Bracket (PMB), Weather Protection Roof (WPR), non-armoured cable kits, armoured cable kits, ExConnection Rails, ...	

* = Illustrations show models with accessories that are subjected to an extra charge.