

liteServer[®] Series²⁰²²

T20 – Installation Manual



Table of contents

1	Introduction	4
2	Technical data	4
2.1	Characteristic values for explosion protection	4
2.1.1	Optional marking.....	4
2.1.2	Standard basis and certificate	5
2.2	Electrical parameters.....	6
2.2.1	Voltage supply:	6
2.2.2	Performance, temperatures and temperature classes	6
3	General safety instructions and special conditions.....	8
4	Area of application	9
5	Transportation and storage.....	10
6	Commissioning	11
6.1	Installation	11
6.1.1	Types from T20-VA0.1 to VA2.2.....	11
6.1.2	Type T20-VA2.3.....	12
6.1.3	Type T20-VA4.x.....	13
6.2	Opening and closing the housing	13
6.2.1	Type T20-VAx.x.x.x	13
6.3	Electrical connection and commissioning.....	17
6.4	Supplementary elements (suitable cables & cable glands)	17
7	Troubleshooting	18
8	Maintenance/ Modification.....	19
9	Repair	19
10	Disposal/ Recycling	19
11	Drawings.....	19
12	Certificates	20
12.1	EU - Declaration of Conformity.....	20
12.2	UKCA – Declaration of Conformity	21
12.3	EU Type Examination Certificate (ATEX).....	22
12.4	IECEX Certificate of Conformity:.....	22
12.5	Other certificates	22
13	Notes.....	23

Table of Figures and Charts

Table 2-1: T20 electrical input supply (T6 and T5)	6
Table 2-2: T20 power supply (T4 and T3).....	7
Fig. 6-1: T20-VA0.1 to VA2.2. Mounting options	12
Fig. 6-2: T20-VA2.3 Safety wire.....	13
Fig. 6-4: Opening the liteServer® T20-VAx.x.x.x.....	14
Fig. 6-4: Exception liteServer T08-VA4.1K.X.....	15

History of revisions

Product: T20 - liteServer® Series
 Title: T20 - Ex Installation Manual
 Doc. -Id. 220518-PT20BAU-SS-Ex Installation Manual rev.03.docx
 Author: Steffen Seibert, Grad. Eng.
 Created on: May 18th, 2022
 Last update: Feb. 26th, 2024

Rev.- Index	Date	Name	Comment	Approved by the EX Supervisor
00	18.05.2022	S.Seibert	Compilation of the document	
01	25.04.2023	E. Schneider	Several corrections	
02	20.07.2023	E. Schneider	Additions and corrections	
03	26.02.2024	S.Knipper	Expansion UKCA – Declaration of Conformity	

1 Introduction

The liteServer® Series (type 20) is an electrical device. It is certified and approved as a flameproof lumination system. The luminaires may be used in Ex-zones 1, 2, 21 and 22, including the explosion group IIC (for example, acetylene) and IIIC (conductive and combustible dust). Some models are even approved for the mining industry.



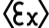
Some models of the T20-VA... liteServer® Series can be used, both as stationary and as mobile explosion-proof lighting fixtures (hand-held use, etc.).

2 Technical data

2.1 Characteristic values for explosion protection

Identification marks

acc. to Directive 2014/34/EU:

 II 2G (zone 1 and 2)
 II 2D (zone 21 and 22)
 I M2 ¹

Explosion protection (gas):

Ex db IIC T6 Gb¹

Explosion protection (dust):

Ex tb IIIC T80°C Db IP68¹

Explosion protection (mining):

Ex db I Mb¹

Protection degree:

IP66/68/69K (IEC/EN 60529)

2.1.1 Optional marking

If necessary, the mining industry marking (ATEX Group 1) can be omitted. **

The explosion group can be downgraded, if necessary. **

The ambient temperature range can be downgraded, if necessary. **

The temperature class/value (gas or dust) can be downgraded, if necessary. **

op is = for models with inherent safe opt. radiation [op is Gx/Dx] **

op pr = for models with protected optical radiation [op pr Gx/Dx]. **

** Please observe the markings on the type plate, the model key, as well as the operating instructions for the device. In addition, the following warnings are stated on the identification plate:

¹ See optional/additional marking

WARNUNG:

NICHT INNERHALB EINES EXPLOSIONSGEFÄHRDETEN BEREICHS ÖFFNEN
 Sicherheitshinweise in der Installationsanleitung beachten!

WARNING:

DO NOT OPEN IN POTENTIALLY EXPLOSIVE ATMOSPHERES
 Observe the safety instructions in the installation guide!

ВНИМАНИЕ:

НЕ ОТКРЫВАТЬ в потенциально взрывоопасных средах
 Соблюдайте инструкции по технике безопасности в руководстве по установке!

AVERTISSEMENT:

NE PAS OUVRIR EN ATMOSPHÈRES EXPLOSIBLES
 Respectez les consignes de sécurité dans le guide d'installation!

Note:

If the EPLs or temperature classes of the used secondary ignition protection classes (ix, op is, etc.) are lower than the ones for the primary protection class, the identification of the secondary protection class shall be used, or the effect shall be shown in square brackets. For example: II 2G Ex db op is [op is Ga T4] IIC T6 Gb.

Note:

*IECEx marking is always an integral part of the identification plate.
 EAC-Ex marking and other affiliated certificates are marked depending on the approval status.*

2.1.2 Standard basis and certificate

Basic EX standards:

IEC	EN	DIN EN
IEC 60079-0:2017	EN 60079-0: 2018	DIN EN 60079-0: 2019
IEC 60079-1:2014	EN 60079-1: 2014	DIN EN 60079-1: 2015
IEC 60079-28:2015	EN 60079-28: 2015	DIN EN 60079-28:2016
IEC 60079-31:2013	EN 60079-31: 2014	DIN EN 60079-31: 2014

Named testing laboratory:

TÜV Rheinland (number 0035)

EU type approval certificates:

TÜV 21 ATEX 8696 X (2021)

IECEx TUR 22.0076 (2022)

Supplement / Rev. Index:

00

2.2 Electrical parameters

2.2.1 Voltage supply:

The following electrical limit values are maximum values in the context of the approval.
Please observe the device-specific values stated in the respective user manuals!

Type T20...:

Input voltage U_{IN} : 60 V DC / 240 V AC (50/60 Hz)

2.2.2 Performance, temperatures and temperature classes

The following tables illustrate the maximum thermal power supplies for all T20 liteServer® enclosure types, depending on the ambient temperature and temperature class. The limit values of the electrical power supply were evaluated in the context of the approval, T20 explosion protection concept, and the respective analyses of the housings. These limit values are mandatory.

T20-...	T6 (85°C - 5K)				T5 (100°C - 5K)					
	T_{AMB} [°C]									
	40	50	60	70	40	50	60	70	80	85
	P_{therm} [W]									
VA0.1	10.5	7.9	5.3	2.6	13.4	11.8	9.2	6.6	3.9	2.6
VA0.4	13.8	10.3	6.9	3.4	14.2	12.7	11.2	8.6	5.2	3.4
VA1.1	17.4	13.0	8.7	4.3	23.9	19.6	15.2	10.9	8.5	4.3
VA1.2	18.2	13.6	9.1	4.5	25.0	20.6	15.9	11.4	6.8	4.5
VA2.0	18.2	13.6	9.1	4.5	25.0	20.6	15.9	11.4	6.8	4.5
VA2.1	22.2	16.7	11.1	5.6	30.6	25.0	19.4	13.9	8.3	5.6
VA2.2	25.0	18.8	12.5	6.3	34.4	28.1	21.9	15.6	9.4	6.3
VA2.3	28.6	21.4	14.3	7.1	39.3	32.1	25.0	17.9	10.7	7.1
VA3.x	<i>u.c.</i>	<i>u.c.</i>	<i>u.c.</i>	<i>u.c.</i>	<i>u.c.</i>	<i>u.c.</i>	<i>u.c.</i>	<i>u.c.</i>	<i>u.c.</i>	<i>u.c.</i>
VA4.1K.PS1	55.9	42.9	28.6	14.3	55.9	50.0	44.1	35.7	21.4	14.3
VA4.1K.BORx	57.1	42.9	28.6	14.3	60.0	55.0	50.0	35.7	21.4	14.3
VA4.3.K1.BORx	57.1	42.9	28.6	14.3	78.6	64.3	50.0	35.7	21.4	14.3
VA4.3.K1.PS1	79.2	60.0	40.0	20.0	79.2	70.8	62.5	50.0	30.0	20.0

Table 2-1: T20 electrical input supply (T6 and T5)

T20-...	T4 (135°C - 5K)						T3 (200°C - 40K)						
	T _{AMB} [°C]												
	50	70	90	100	110	120	50	70	90	110	130	140	150
	P _{therm} [W]												
VA0.1	12.0	9.2	6.3	4.9	3.5	2.1	n.a.	n.a.	n.a.	n.a.	n.a.	n.a.	n.a.
VA0.4	12.7	9.7	6.7	5.2	3.7	2.2	n.a.	n.a.	n.a.	n.a.	n.a.	n.a.	n.a.
VA1.1	34.8	26.1	17.4	13.0	8.7	4.3	47.8	39.1	30.4	21.7	13.0	8.7	4.3
VA1.2	36.4	27.3	18.2	13.6	9.1	4.5	50.0	40.9	31.8	22.7	13.6	9.1	4.5
VA2.0	36.4	27.3	18.2	13.6	9.1	4.5	50.0	40.9	31.8	22.7	13.6	9.1	4.5
VA2.1	44.4	33.3	22.2	16.7	11.1	5.6	61.1	50.0	38.9	27.8	16.7	11.1	5.6
VA2.2	50.0	37.5	25.0	16.7	12.5	6.3	68.8	56.3	43.8	31.3	18.8	12.5	6.3
VA2.3	57.1	42.9	28.6	21.4	14.3	7.1	78.6	64.3	50.0	35.7	21.4	14.3	7.1
VA3.x	<i>u.c.</i>	<i>u.c.</i>	<i>u.c.</i>	<i>u.c.</i>	<i>u.c.</i>	<i>u.c.</i>	<i>u.c.</i>	<i>u.c.</i>	<i>u.c.</i>	<i>u.c.</i>	<i>u.c.</i>	<i>u.c.</i>	<i>u.c.</i>
VA4.1K.PS1	47.1	38.2	26.5	20.6	14.7	8.8	n.a.	n.a.	n.a.	n.a.	n.a.	n.a.	n.a.
VA4.1K.BORx	55.0	45.0	35.0	30.0	25.0	14.3	n.a.	n.a.	n.a.	n.a.	n.a.	n.a.	n.a.
VA4.3.K1. BORx	110.0	85.7	57.1	42.9	28.6	14.3	110.0	90.0	70.0	50.0	30.0	20.0	10.0
VA4.3.K1.PS1	70.8	54.2	37.5	29.2	20.8	12.5	n.a.	n.a.	n.a.	n.a.	n.a.	n.a.	n.a.

Table 2-2: T20 power supply (T4 and T3)

For the transport/storage temperature and the permissible ambient temperature range, observe the device-specific values in the respective operating instructions!

3 General safety instructions and special conditions



Attention!

Luminaires of the type liteServer® Series T20 are not suitable for use in zones 0 and 20. The ambient temperature, temperature class, and explosion group stated on the enclosure's type plate, must absolutely be observed! The customer is not allowed to make any alterations inside or outside at the housing and must only be used for the intended purpose and in an immaculate condition.



Attention!

Only original parts from SAMCON Prozessleittechnik GmbH may be used for repair. Repair works affecting the explosion protection may only be carried out in accordance with the regulations applicable in the country of use and only by SAMCON Prozessleittechnik GmbH.



Attention!

Prior to installation, please consider external sources of heat or cold! The permissible temperature range must absolutely be observed!



Attention!

If you use the liteServer® in the mining sector with a "high" risk of mechanical hazard, you must provide an appropriate device ensuring protection of translucent components (protective grille, etc.)



Attention!

Observe the warnings given on the type plate!

Note: Depending on the classification of hazard areas, a work approval must be obtained. When adjusting the lighting fixture, you shall prevent a potentially explosive atmosphere!



The use in hazardous areas with regard to temperature and dust layers is defined in the respective national regulations.



When installing the liteServer®, adhere to the requirements of the EN/IEC 60079-14.



Attention!

The sight glass must not be directly covered by foreign objects. The light must be able to leave the optics of the protective housing unhindered. Regular cleaning intervals of the sight glass should be observed in order to avoid adhesion and dust deposits.



Risk of burns from hot surfaces (≤80°C)!



Do not stare into the direct beam. Danger of impairment of vision due to high exposure to light!

Prior to the first use, you should test the luminaire corresponding to the instructions given in the chapter Commissioning.

Please observe the national safety regulations and regulations for prevention of accidents, as well as to the safety instructions given below in this User Manual!

4 Area of application

The lights of the liteServer® series are intended to illuminate plants or processes in hazardous indoor and outdoor areas. When using the luminaire, adhere to the data specified on its type plates and indicating labels! Applications other than described above are **not** allowed without written permission from SAMCON Prozessleittechnik GmbH.



Attention!
Observe the instructions on the type plates and indicating labels!



Attention!
If you use the liteServer® in the mining sector with a “high” risk of mechanical hazard, you must provide an appropriate device ensuring protection of translucent parts (accessories).



Attention!
The liteServer® with the optical flange VA2.x.Kx.BOR $\underline{5}$ is allowed to be used in the mining industry (ATEX group I) only with a reduced temperature range (-30°C...+135°C)! The liteServer with the model key T20-VA2.x.Kx.BOR $\underline{5}$ must also not be used in other hazardous areas with potentially "high" risk of damage caused by mechanical stresses (ATEX group II)!



Attention!
The liteServer® devices with model key T20-VA4.1K.PS1..., as well as T20-VA4.3.PS1... (optical thermoplastic) must generally not be used for applications in the mining industry (ATEX group I), nor in other hazardous areas with potentially "high" risk of damage caused by mechanical stresses (ATEX group II)!

**Attention!**

The liteServer® devices with model key T20-VA4.3.K1.PS1..., as well as T20-VA2.x.Kx.BOR5 may only be used as a stationary device (not hand-held)!

**Attention!**

The liteServer of type BCL2x contains inherently safe optical laser radiation of $\lambda 655\text{nm}$ (op is) with an effect in the hazardous area. The liteServer luminaire of type BCL2x must not be used in applications in the mining industry (ATEX equipment group I). In IIC gas atmospheres, the temperature classification is limited to T4. Moreover, special laser protection provisions as defined in the latest version of the DIN EN 60825-1 Standard, as well as safety instructions in the device documentation must be observed. Never look directly into the optical path! When doing assembly work, pay attention to the laser beam reflection of reflective surfaces!

All parts of the housing materials, including all external metallic and non-metallic components, are made of high-quality materials to ensure corrosion protection and chemical resistance levels required for the area of application, in "regular" industrial atmospheres and within the specified temperature ranges.

5 Transportation and storage

- Pack the luminaire securely in the outer carton
- Avoid impacts, mechanical stresses, and vibrations.
- Make sure that neither the package nor the camera is damaged.
- Store the luminaire in its original packaging and in a dry and weather-proof room, or protect it from dirt and environmental conditions until its final assembly and installation.
- Avoid extreme heat or cold sources.
- Maximum storage time: 3 years; after this period, the condition of the luminaire has to be checked.

6 Commissioning

6.1 Installation

For the luminaires' installation and operation, the relevant national regulations, as well as the generally accepted rules of technology shall prevail. Before mounting the lighting fixture, thoroughly check it for any transport damage, especially at the housing and cable. Installation, electrical connection and the first commissioning must only be carried out by qualified personnel.



Attention!

Prior to the luminaire's installation, take external sources of heat or cold into account! Observe the permissible temperature range!



Attention!

The erection regulations defined in IEC 60079-14 shall apply!



Attention!

If you use the liteServer® in the mining sector with a “high” risk of mechanical hazard, you must provide an appropriate device ensuring protection of translucent parts (accessories)

6.1.1 Types from T20-VA0.1 to VA2.2

For illuminating of plants and/or persons, the luminaire can be mounted on swivelling mounts (accessories). For this purpose, the mounting pin, welded to the bottom of the lighting body dispose of holes with either 6.5 mm or 8.5 mm. The wall bracket is available in different sizes and can be mounted in any position via four holes (see Figure 6-1 *left*).

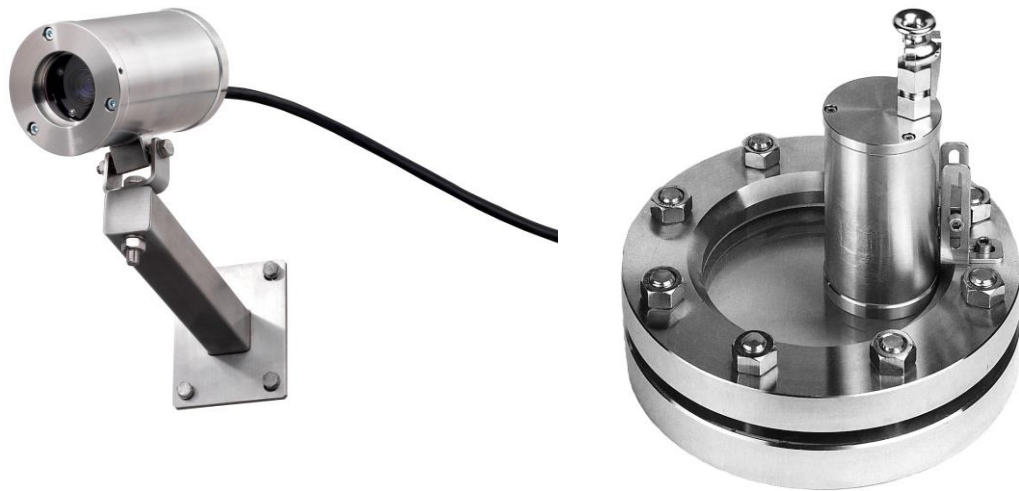


Fig. 6-1: T20-VA0.1 to VA2.2. Mounting options

For process lumination, the light can be mounted by means of a hinge attachment suitable for every application (e.g. on sight glass fittings in accordance with DIN 28120/28121 or DIN 11851), see Figure 6-1 *right*.

Details and availability of accessories are described in the User Manual for the applicable T20 device.

6.1.2 Type T20-VA2.3

Due to the dimensions and the weight of the liteServer luminaire with the model key T20-VA2.3, a "safety wire" is mandatory in order to protect the device from falling down. The illustration below shows the recommended method of the safety wire installation. Use the welded mounting pin at the housing, as well as the special wall bracket "WMB VA2.3" or " and the pole adapter PMB-VA2.x.

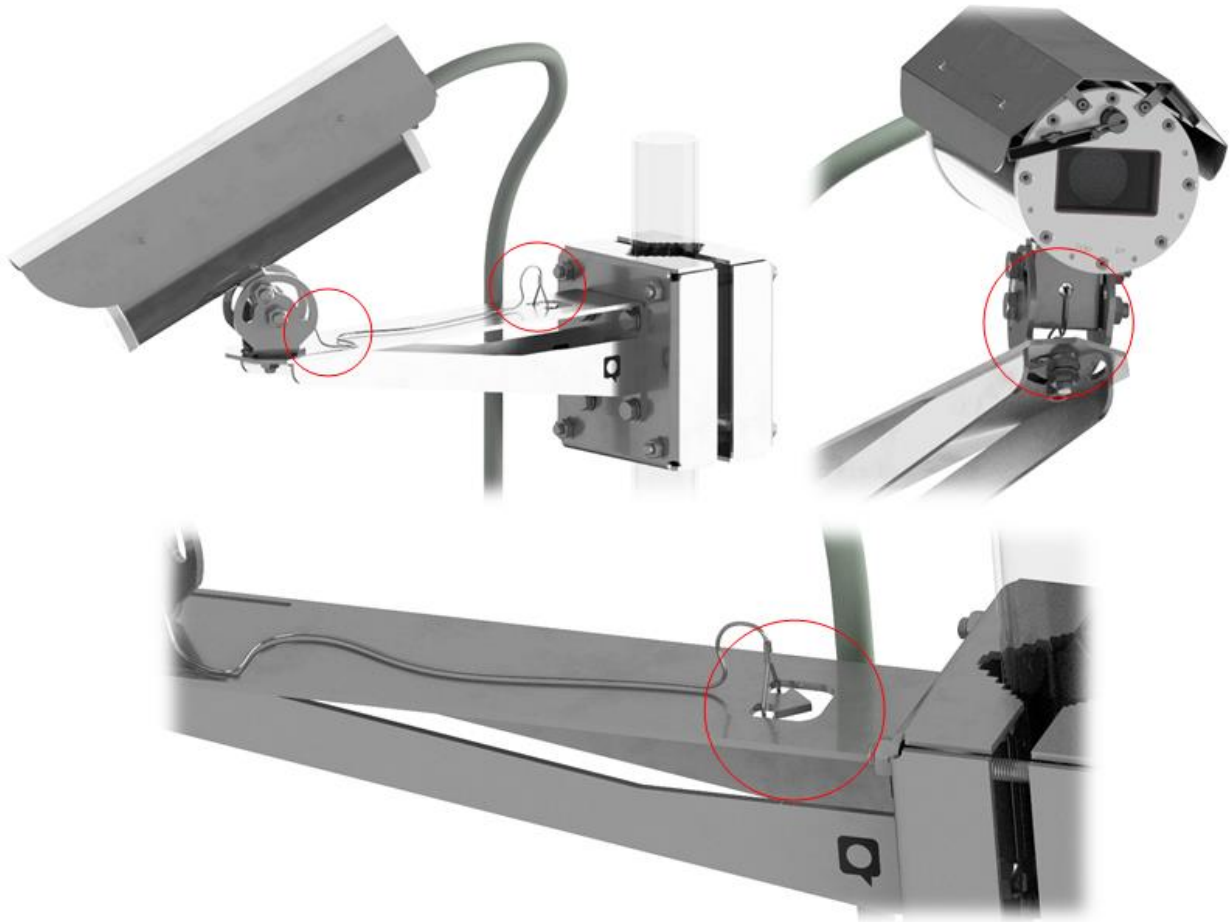


Fig. 6-2: T20-VA2.3 Safety wire

For detailed assembly instructions on installation components and accessories, please visit <http://samcon.eu>

6.1.3 Type T20-VA4.x

The light Typ T20-VA4.1K.PS1 is installed in a hanging, standing or lying position.

6.2 Opening and closing the housing

6.2.1 Type T20-VAx.x.x.x



Attention!

The pressure-resistant type T20-VAx.x.x.x may only be opened if it is explicitly indicated in the User Manual of the respective light.

**Attention!****Observe the warnings on the type plate.****Note: Depending on the classification of hazard areas, a work approval must be obtained. When adjusting the luminaire, you shall prevent potentially explosive atmosphere!**

The T20 liteServer® series may only be opened due to functional aspects and only if it is explicitly allowed in the respective user manual. In all other cases, the explosion-proof housing may only be opened and closed by authorized staff of SAMCON Prozessleittechnik GmbH. Any damages, irregularities, or changes which, through the transparent opening, are visible inside the liteServer®, for example, loosened or not tightened components, discolouration, or liquid inclusions (not to be confused with condensed water!), have to be checked by the manufacturer, SAMCON Prozessleittechnik GmbH.

Please absolutely observe the following points:

Before opening the housing of the T20-VAx.x.x.x type, it may be necessary to remove the weather protection roof or other external accessories.

- Remove or loosen the bolted connections of the illuminator housing flange and body.
- Use only appropriate tools and pay attention to the respective spring rings (DIN 127A).
- Caution: Avoid any contact of the screw thread with skin and/or clothes! The screw threads are covered with LOCTITE® 243™ (chemical basis is dimethacrylate ester). This is to prevent the bolted connection from unintentional loosening because of impacts and vibrations and for sealing purposes.

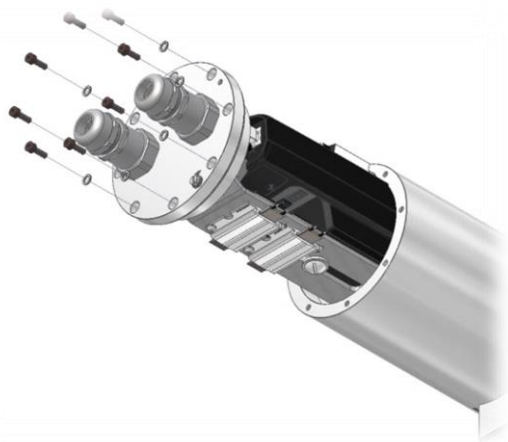


Fig. 6-4: Opening the liteServer® T20-VAx.x.x.x

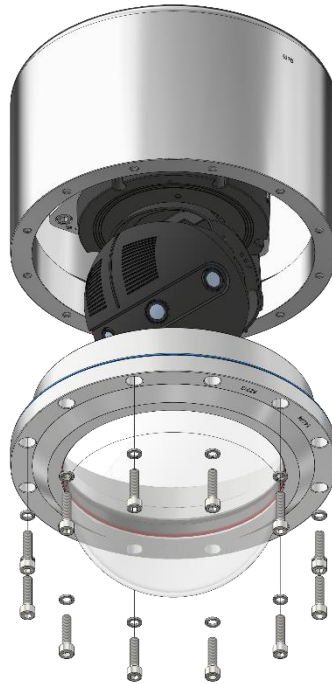


Fig. 6-4: Exception liteServer T08-VA4.1K.X

- Carefully pull out the cable and supply flange to the rear and strictly vertically/perpendicularly (see Figure 6-4). There is a risk of side tilt! Because of negative pressure, it may be difficult to remove the flange.
Exception: There is no cable and supply flange for models of the liteServer series T20-VA4.1K.X. For this models pull out the optical flange (see Fig. 6-4).
- The circular cylindrical clearance fit H8f7 or H8G7 (in accordance with ISO 286) of the lighting body and flange must not be tilted! **Risk of damage to the flame-proof gap (DIN EN 60079-1)!**
- Caution: Avoid any contact of the screw thread with skin and/or clothes! There is oil lubricating paste applied, to protect the surface against fretting corrosion and mechanical stresses.
- Attention: Use particular care when dealing with installed components (camera module, optics, temperature control, electronics, etc.) which are fixated above the mounting adapter on the cable and supply flange (cable gland). Risk of damage!
- Attention: When removing the flange, ensure that the Gylon flat gasket (Style 3504, blue) does not get damaged or dirty!
- After the completion of the work at the components which are installed inside the luminaires, immediately re-close the housing. Ensure that no foreign objects and particles are enclosed in the housing!

- For closing the housing, follow the instructions for opening the housing in reversed order. Please observe the following safety warnings:



Attention!

Insert the flange to reach the end position, in order to ensure ignition protection and the protection level (IP) of the housing.



Attention!

If the bolted connections are tightened too strongly, it can cause damages to the device!



Attention!

Do not to damage the surface of the drill hole and the shaft (fitting) of the flame-proof gap.



Attention!

Ensure that you do not damage the housing seals. Keep them clean.



Attention!

If the fitting gap is mechanically damaged, it is no longer allowed to use the housing!



Attention!

Ensure that no foreign objects are entrapped in the housing.

- Exclusively use undamaged and clean **original screws** included in the supply. The dismantled screw locks (spring washers DIN 127A) must be used again.
- The Gylon gasket must be used in undamaged condition, according to the flange hole pattern. The surface orientation is arbitrary.
- If, when closing the housing, you notice that the surface of the fitting gap is dirty or insufficiently lubricated, clean it with a clean cloth and suitable cleaning agent (e.g. concentrated isopropyl alcohol) and then grease it with lubricant which is suitable for this specific application.
- The **M3 screwed connections** of **VA0.x** flange and body components must be tightened with a torque of **1.2 Nm** (crosswise)!
The **M4 screwed connections** of the **VA1.x** and the **V2.x** flange and body components require a torque of **3.0 Nm** (*tighten crosswise!*)
The **M6 screwed connections** of the **VA4.x** flange and body components must always be tightened *crosswise* with a torque of **9.0 Nm!**

Do not tighten the screws too strongly! It can cause rupture of the cylinder head and thus lead to an impairment of the pressure resistance or ignition protection class of the camera housing.

6.3 Electrical connection and commissioning



Attention!

The electrical connection of the equipment must only be carried out by officially qualified and skilled personnel!



Attention!

It is absolutely necessary to ground the liteServer® series housing via the PA connection (4mm solid/rigid conductor)



Attention!

As far as possible, the first commissioning of the device should be carried out at positive temperatures, in order to prevent condensation in the housing.

Prior to commissioning, all tests must be carried out, as indicated by the national regulations. Furthermore, the correct function and installation of the device must be checked in accordance with this user manual and other applicable regulations.

Incorrect installation and operation of the liteServer® may lead to a loss of warranty!

The functional “Commissioning” of each device is described in the respective user manual.

6.4 Supplementary elements (suitable cables & cable glands)

For information on elements that complete the equipment, such as appropriate cables and cable glands refer to the relevant instruction manual.

7 Troubleshooting

problems with	a notice	Troubleshooting/Remedy
Assembly	Do not drill holes in the housing	visual inspection
	Do not attach any components not approved by SAMCON to the housing	visual inspection
transportation, operation	Damage to housing, seal, gland	Replacement of damaged parts, regular maintenance
operation	Use of unsuitable cable glands and plugs	must be certified
	Wrong temperature range	Observe the type plate and safety instructions in the Ex installation instructions; specified temperature ranges must not be exceeded or fallen below.
	Wrong Ex zone / Ex group	Observe the type plate and safety instructions in the Ex installation instructions
opening the case	only if expressly permitted in the operating instructions	Do not open inside the potentially explosive area
closing the case	foreign bodies included	Visual inspection, remove immediately
Incorrect opening or closing of the case	Only if expressly permitted in the camera's operating instructions	Only use original screws; Adhere to the specified torques of the screw connections; Inspect surface on mating flange and body, fine thread for cable and conduit entries for damage and contamination.
Scratching the plastic dome	Observe the instructions in the operating instructions for cleaning; only use scratch-free, damp cloths and no aggressive media for cleaning; avoid static charge	visual inspection; exchange
equipotential bonding; Earth resistance too high	marked terminal points using cable lugs/ eyelets in accordance with national earthing regulations (recommended $\varnothing_{min} = 4mm^2$ solid conductor/rigid)	Check

Observe all safety instructions of this Ex-installation instruction, do not damage the housing. Adhere to the specified temperature ranges. Pay attention to the potential equalization. Avoid static electricity, also when cleaning. Do not mount anything at the flanges. Do not work on or paint the housing surfaces. Pay attention to regular maintenance.

If you have a technical problem, please contact our support.

8 Maintenance/ Modification

The applicable regulations for the maintenance and servicing of electrical devices in potentially explosive atmospheres must be observed. The necessary maintenance intervals depend on the operating condition and should be individually determined by the user. The maintenance tasks especially include examination of parts on which the ignition protection depends (e.g., proper condition of the housing, seals and cable entry points). All necessary maintenance measures should be initiated and/or executed.

9 Repair

Repair must only be carried out with original spare parts of SAMCON Prozessleittechnik GmbH. Damaged pressure-resistant housings must be replaced completely. If in doubt, return the component(s) to SAMCON Prozessleittechnik GmbH.

Repair affecting the explosion protection must only be carried out in accordance with nationally applied regulations by SAMCON Prozessleittechnik GmbH or by an authorised electrical technician authorised by SAMCON Prozessleittechnik GmbH. Rebuilding of or alterations to the devices are not permitted.

10 Disposal/ Recycling

When disposing of the device, observe the regulations applicable in your country.

11 Drawings

Drawings of the devices can be taken from the data sheets. DXF, DWG drawing files with the relevant dimensions, as well as 3D models (.pdf, .step, IGES, etc.), including the ones of all accessories are available at www.samcon.eu. If you require additional technical information, please contact us at support@samcon.eu.

12 Certificates

12.1 EU - Declaration of Conformity

EU - Konformitätserklärung

EU – Declaration of Conformity / UE – Déclaration de Conformité



Der Hersteller / The manufacturer / Le fabricant




erklärt in alleiniger Verantwortung, dass sein Produkt / declares under his sole responsibility, that his product /
déclare sous sa seule responsabilité, que son produit

liteServer® T20...

gekennzeichnet mit / marked with / marqué avec

 II 2G Ex db IIC T6 Gb*
 II 2D Ex tb IIIC T80°C Db IP68*

 I M2 Ex db I Mb*
**Optional/Additional marking:
 see user manual and type plate*


bescheinigt mit EU-Baumusterprüfbescheinigung / certified by EU type examination certificate /
ayant fait l'objet de l'attestation UE de type

TÜV 22 ATEX 8696 X

auf das sich diese Erklärung bezieht, mit der/den folgenden Richtlinien, Normen oder normativen Dokumenten übereinstimmt:
referred to by this declaration is in conformity with the following directives, standards or normative documents:
auquel se rapporte la présente déclaration, est conforme aux directives, normes ou aux documents normatifs suivants:

Richtlinien/ Directives/ Directives	
ATEX	2014/34/EU / 2014/34/EU / 2014/34/UE
ROHS	2011/65/EU / 2011/65/EU / 2011/65/UE
LVD	2014/35/EU / 2014/35/EU / 2014/35/UE
EMC	2014/30/EU / 2014/30/EU / 2014/30/UE

Normen / Standards / Normes	
EN IEC 60079-0:	2018
EN 60079-1:	2014
EN 60079-14:	2014
EN 60079-28:	2015
EN 60079-31:	2014



Digital unterschrieben von Steffen Seibert
 DN: cn=Steffen Seibert, o=SAMCON
 Prozessleittechnik GmbH, ou,
 email=s.seibert@samcon.eu, c=DE
 Datum: 2023.03.14 08:27:56 +01'00'

Dipl.-Ing. Steffen Seibert
 Geschäftsführer

SAMCON Prozessleittechnik GmbH
 Schillerstraße 17
 D-35102 Lohra-Altenvers
 www.samcon.eu
 T: +49 6426-9231 0 / F: +49 6426-9231 31

Altenvers, den / the / le 14.03.2023

12.2 UKCA – Declaration of Conformity

UKCA – Declaration of Conformity

The manufacturer



declares under his sole responsibility, that his product,

ExCam® T20...

marked with

Ⓔ II 2G Ex db IIC T6 Gb*
Ⓔ II 2D Ex tb IIIC T80°C Db IP68*

Ⓔ I M2 Ex db I Mb*
*Optional/Additional marking:
see user manual and type plate

and



fulfills the fundamental safety and protection requirements standards in accordance with the guidelines and harmonized standards listed below. This declaration of conformity refers to the design and manufacture of the above products.

Richtlinien/ Directives/ Directives

ATEX	2014/34/EU / 2014/34/EU / 2014/34/UE
ROHS	2011/65/EU / 2011/65/EU / 2011/65/UE
LVD	2014/35/EU / 2014/35/EU / 2014/35/UE
EMC	2014/30/EU / 2014/30/EU / 2014/30/UE

Normen / Standards / Normes

EN IEC 60079-0:	2018
EN 60079-1:	2014
EN 60079-14:	2014
EN 60079-28:	2015
EN 60079-31:	2014

Dipl.-Ing. Steffen Seibert
Managing Director

SAMCON Prozessleittechnik GmbH
Schillerstraße 17
D-35102 Lohra-Altenvers
www.samcon.de
T: +49 5426 9251 0 / F: +49 5426 9251 20

Altenvers, den / the / le 21.02.2024

Doc. - id.: 240221-PT20BAUUKCA-SK-Declaration of Conformity.docx

12.3 EU Type Examination Certificate (ATEX)

see <http://samcon.eu>

12.4 IECEx Certificate of Conformity:

see <http://samcon.eu>

12.5 Other certificates

see <http://samcon.eu>

13 Notes



SAMCON

Schillerstraße 17, 35102 Lohra-Altenvers
www.samcon.eu, info@samcon.eu
fon: +49 6426 9231-0, fax: - 31