

Ceiling Mount Bracket CMB-TNXCD

Datasheet.

Features.

Compatible

with all cameras of the ExCam Series
with the model-key T08-TNXCD.

Data.

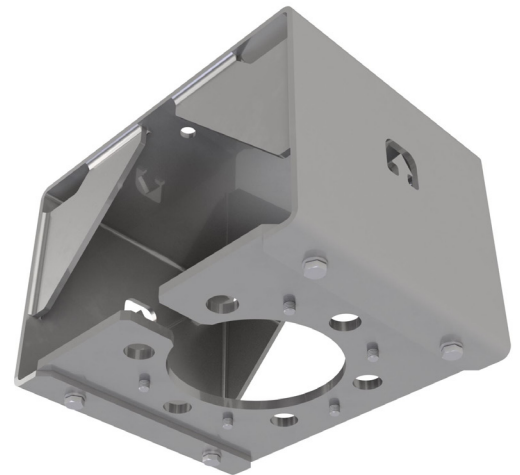
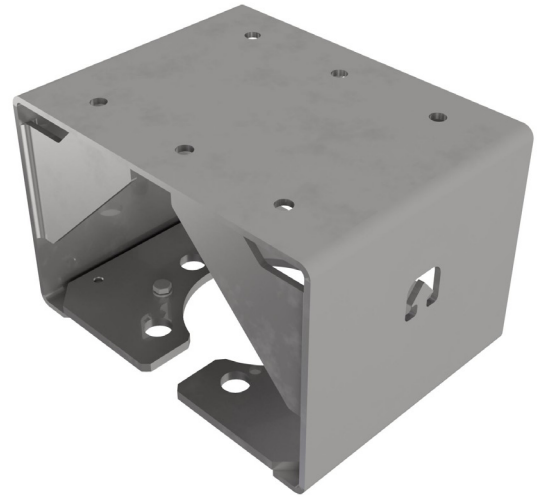
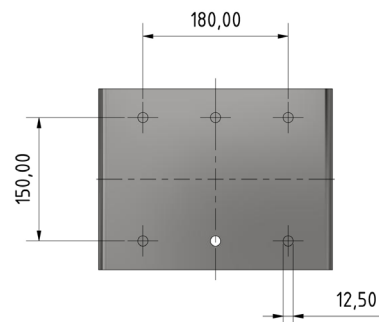
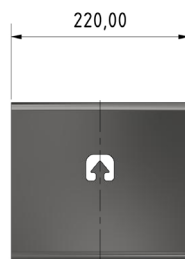
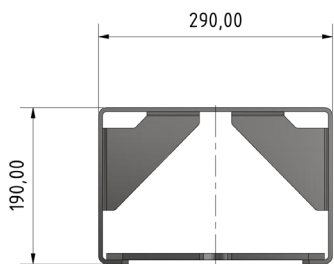
Mechanical Characteristics

Material:	Stainless steel
Weight:	12.0 kg
Dimensions:	WxHxD 290x190x220
Point load:	50 kg

Scope of Delivery

- included
- 5 screws M8x12
 - 5 screws M8x16
 - 10 flat washer M8

Dimensions [mm].



Schillerstrasse 17
D-35102 Lohra-Altenvers

info@samcon.eu
T: +49 6426 9231-0
F: +49 6426 9231-31

© SAMCON GmbH All rights and technical changes reserved. No liability for wrong or missing data.