

ExTB-2/3/4 Junction Box



Datasheet.

Feature Highlights.

- ✓ ATEX, IECEx, EAC-Ex, ... certification for hazardous areas
- ✓ Shock-resistant glass-fibre reinforced polyester resin, IP 66
- ✓ Use even at arctic temperatures (-60°C)




Zones.

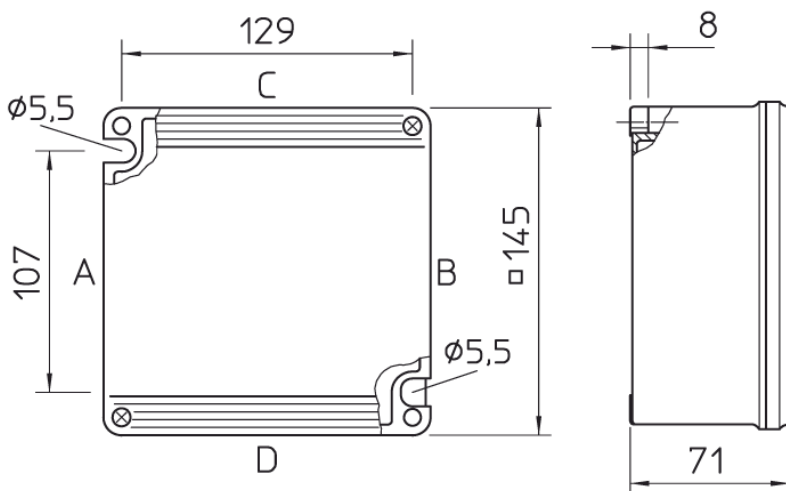
Group I (Mining)	ATEX / IECEx / EAC-Ex	
Category	Ma	Mb
For use in	✗	✗

Further certificates upon request.

Group II (Gas & Dust)	ATEX / IECEx / EAC-Ex				
Zone	0	1	2	21	22
For use in	✗	✓	✓	✓	✓

Dimensions.

Dimension	ExTB-2	ExTB-3	ExTB-4
145 x 145 x 71 mm	 1 2 3	 1 2 3	 1 2



ExTB2/3/4 Junction Box





Data.



Ex- marking:

Explosion protection (Gas):
Explosion protection (Dust):

 II 2 G Ex eb IIC T5 Gb
 II 2 D Ex tb IIIC T95°C Db



Mechanical characteristics:

Housing material:
Protection level:
Weight:

Shock-resistant glass-fibre reinforced polyester resin
IP66 (IEC/EN 60529)
About 1 kg

Environmental conditions:

Range of temperature:

-60°C to +55°C



Supply input:

Power Channel:
Network:
Connection data:

24VDC (max. nominal voltage 690 V)
100Base-Tx, PoE
Conductor cross-section, solide: min.: 0.14 mm²; max.: 4.0 mm²
Conductor cross-section, flexible: min.: 0.14 mm²; max.: 2.5 mm²

Included items:

Cable glands:

1 x M20 cable gland for armoured cables (brass) (upon request)
Permissible cable cross-section min.: 12.5 mm²; max.: 20.9 mm²
2 x M20 cable gland for un-armoured cables (sw) (2x ExTB-2/ 3x ExTB-3/ 4x ExTB-4)
Permissible cable cross-section min.: 7 mm²; max.: 13 mm²

Schillerstrasse 17
D-35102 Lohra-Altenvers

info@samcon.eu
T: +49 6426 9231-0
F: +49 6426 9231-31

Models.

T12-M20-XX-M20-XX

