

Clamp Fastening KLEMM-WMB-VA2.3

Datasheet.

Features.

Compatible

with all cameras of the ExCam Series with the model key T08-VA2.3.

For easy mounting the wall mount bracket WMB-VA2.3 to an I-beam (DIN 1025).

Suitable for: HEA 240 to HEA 280



Data.

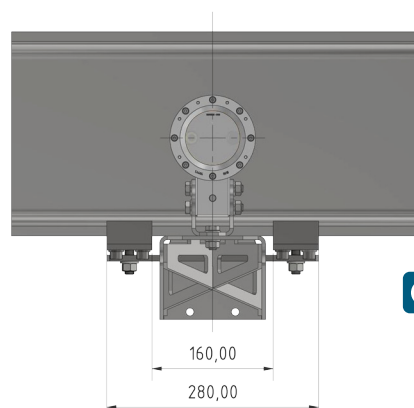
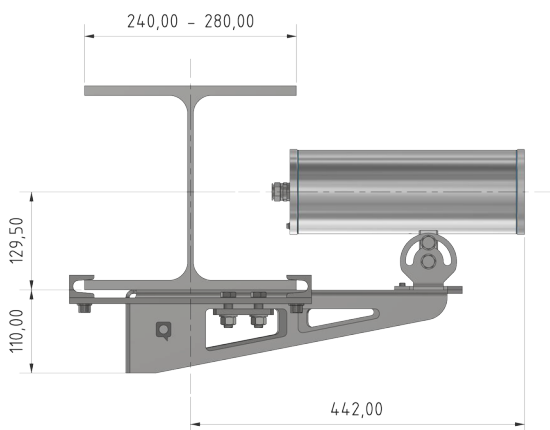
Mechanical Characteristics

| | |
|------------------------|-------------------------------|
| Material: | Stainless Steel 1.4404/1.0038 |
| Weight: | 5.0 kg |
| Point Load: | 57 kg |
| Dimensions WxHxD [mm]: | 320/250x280x70 |

Scope of Delivery

WMB-VA2.3 is not included in delivery scope
included mounting material
-4 screws M12x40
-4 nut M12
-4 washers M12
-8 screws M10x16
-8 washers M10

Dimensions [mm].



 **SAMCON**
Prozessleittechnik GmbH

Schillerstrasse 17
D-35102 Lohra-Altenvers

info@samcon.eu
T: +49 6426 9231-0
F: +49 6426 9231-31

© SAMCON GmbH All rights and technical changes reserved. No liability for wrong or missing data.