



SAMCON

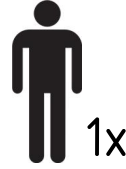
Prozessleittechnik GmbH

Assembly instruction

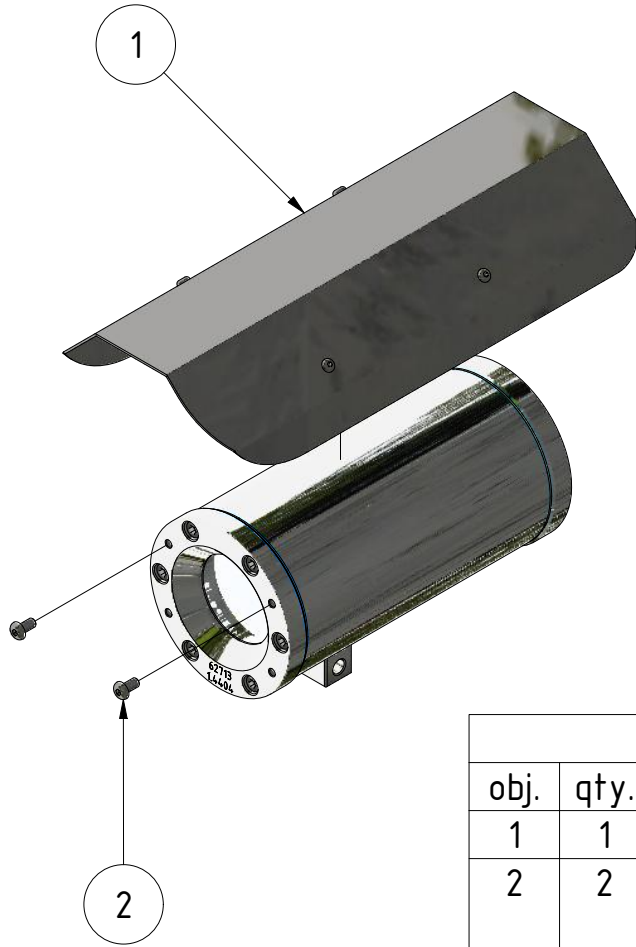
product: WPR-VA1.2
author: S. Weber
date: Oct. 30, 2019
doc ID: 191030-PZUMA-SW-WPR-VA1.2_assembly
instruction_rev.00.idw
passing:



INTRO



What you need:	
Allen wrench	2,0 mm
Allen wrench	2,5 mm
Tourque-allen wrench	2,0 / 2,5 mm

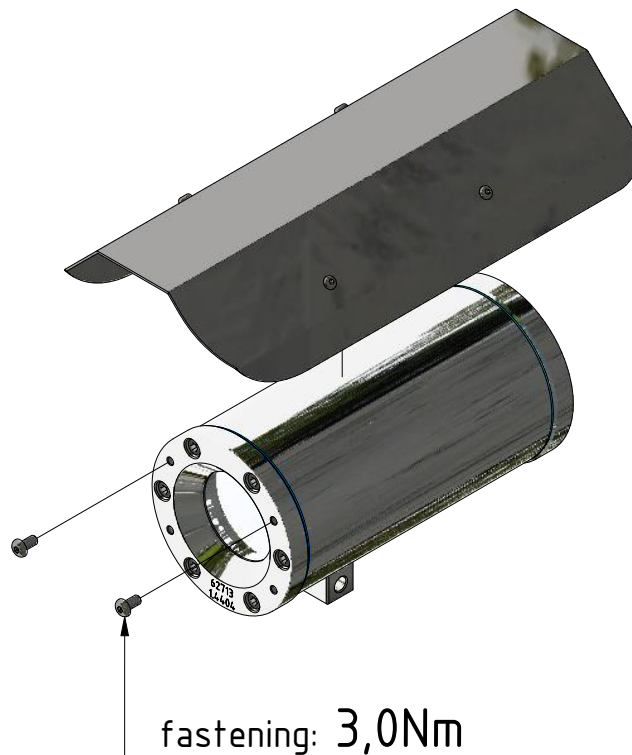


ATTENTION:
Please be careful when working at heights !

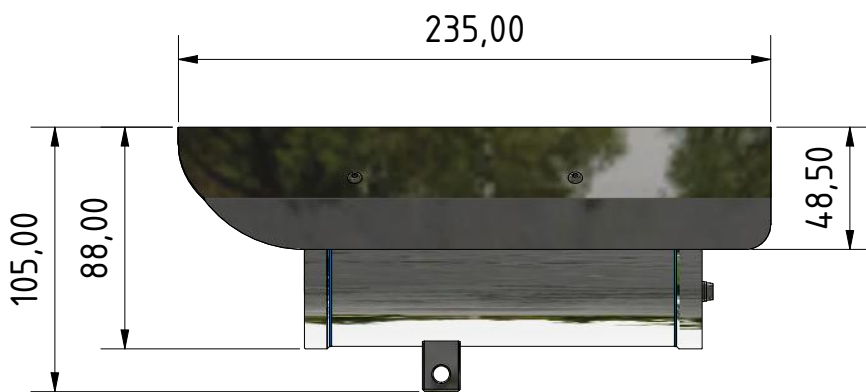
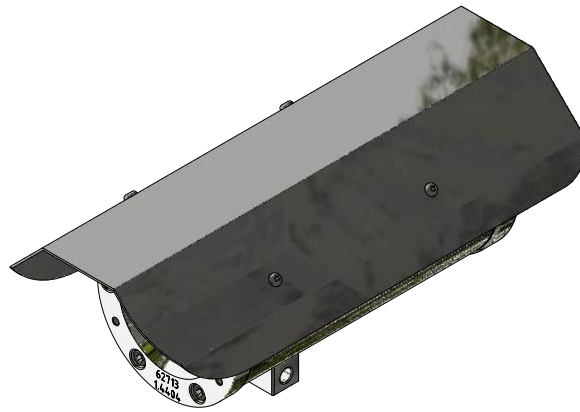


Table of content			
obj.	qty.	part	material
1	1	WPR-VA1.2	stainless steel
2	2	Threaded bolt ISO 7380-1 - M4 x 8	stainless steel

1



2



Note:
For more information see
other assembly instructions!



SAMCON

Prozessleittechnik GmbH

