



SAMCON

Prozessleittechnik GmbH

Assembly instruction

product: WPR-VA2.2
author: S. Weber
date: March 22, 2019
doc ID: 190322-PZUMA-SW-WPR-VA2.2_assembly
instruction_rev.oo.idw
passing:



INTRO



What you need:	
Allen wrench	2,0 mm
Allen wrench	2,5 mm
Tourque-allen wrench	2,0 / 2,5 mm



ATTENTION:
Please be careful when working at heights !

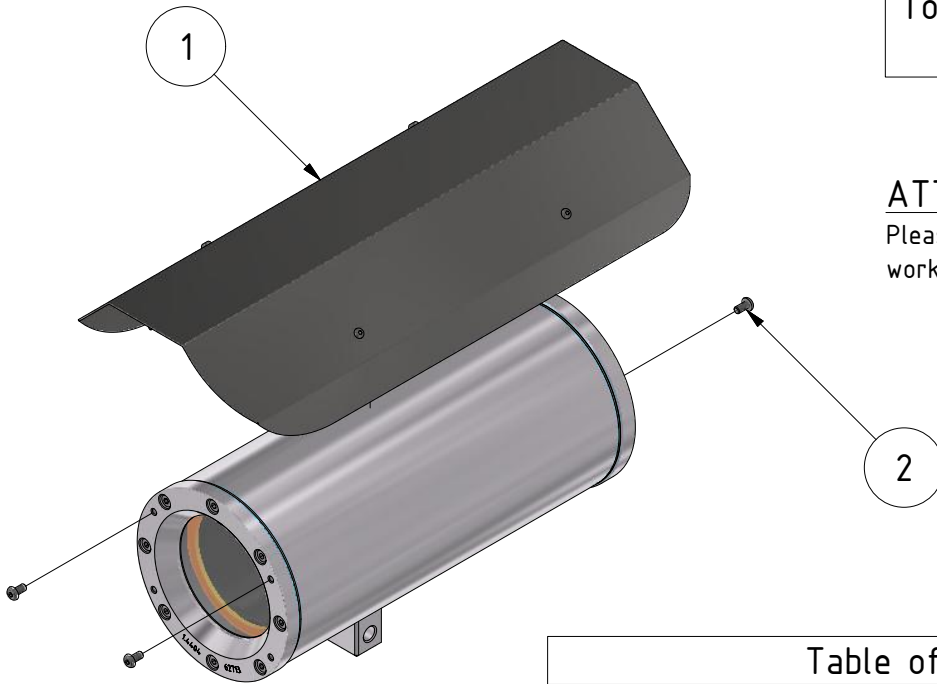
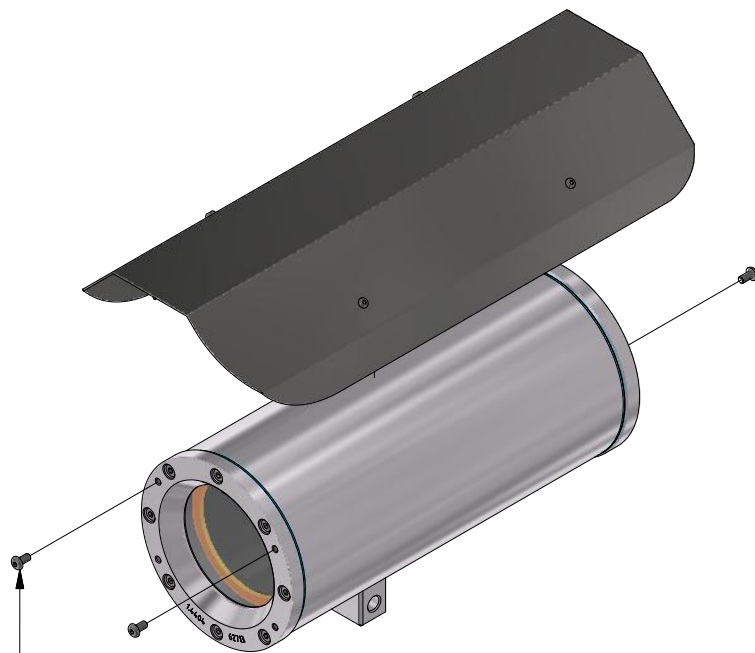


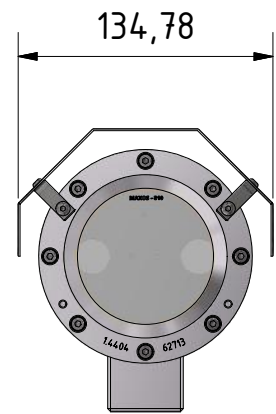
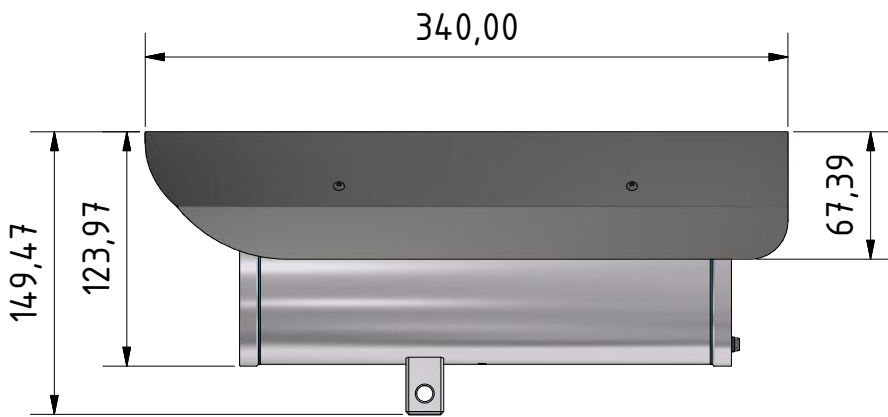
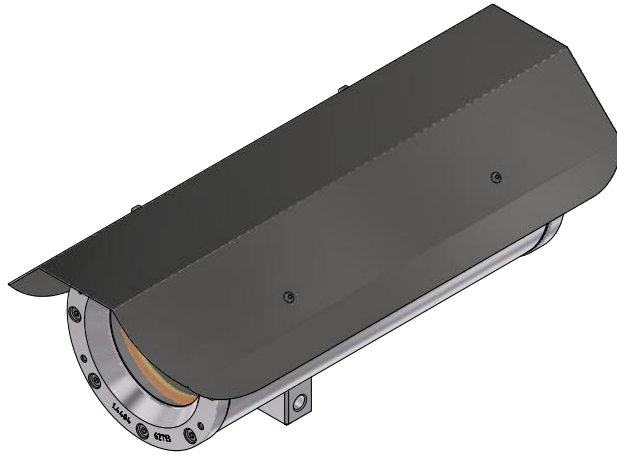
Table of content			
obj.	qty.	part	material
1	1	WPR-VA2.2	stainless steel
2	4	Threaded bolt ISO 7380-1 - M4 x 8	stainless steel

1



fastening: 3,0Nm

2



Note:
For more information see
other assembly instructions!



SAMCON

Prozessleittechnik GmbH

