



SAMCON

Prozessleittechnik GmbH

Assembly instruction

product: WPR-VA2.3
author: S. Weber
date: June 15, 2018
doc ID: 180615-PZUMA-SW-WPR-VA2.3_assembly
instruction_rev.01.idw



INTRO



What you need:

Allen wrench	2,0mm
Allen wrench	2,5mm

ATTENTION:

Please be careful when working at heights !

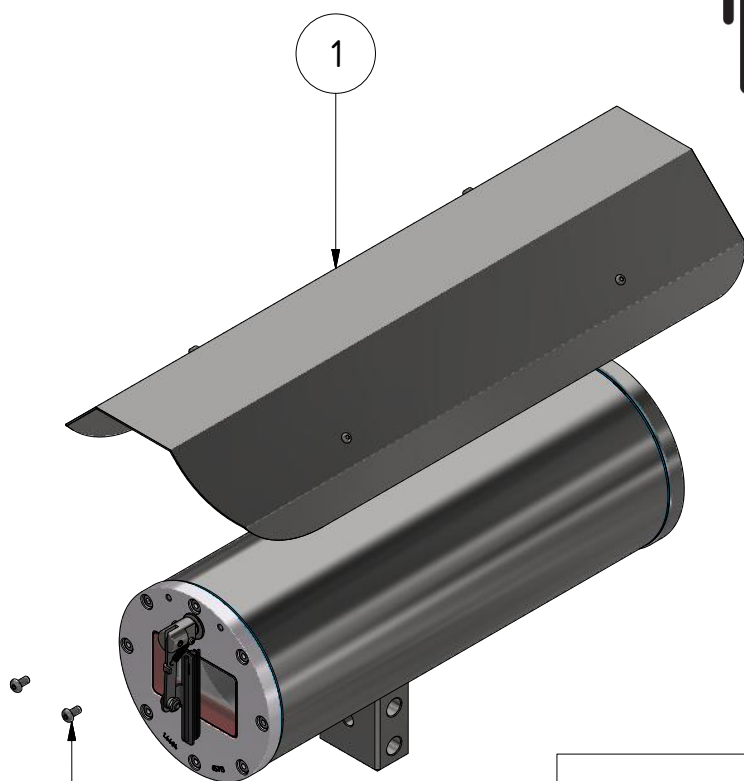
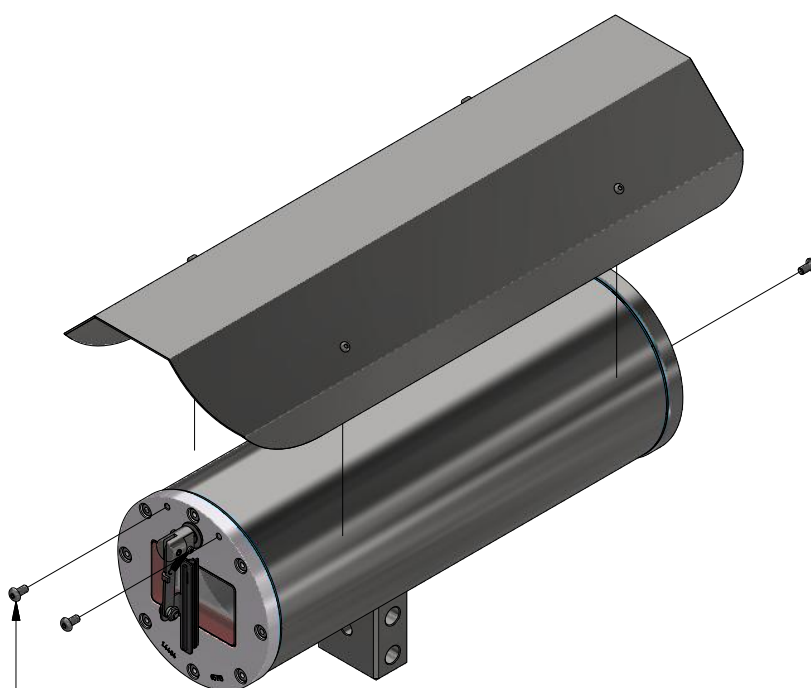


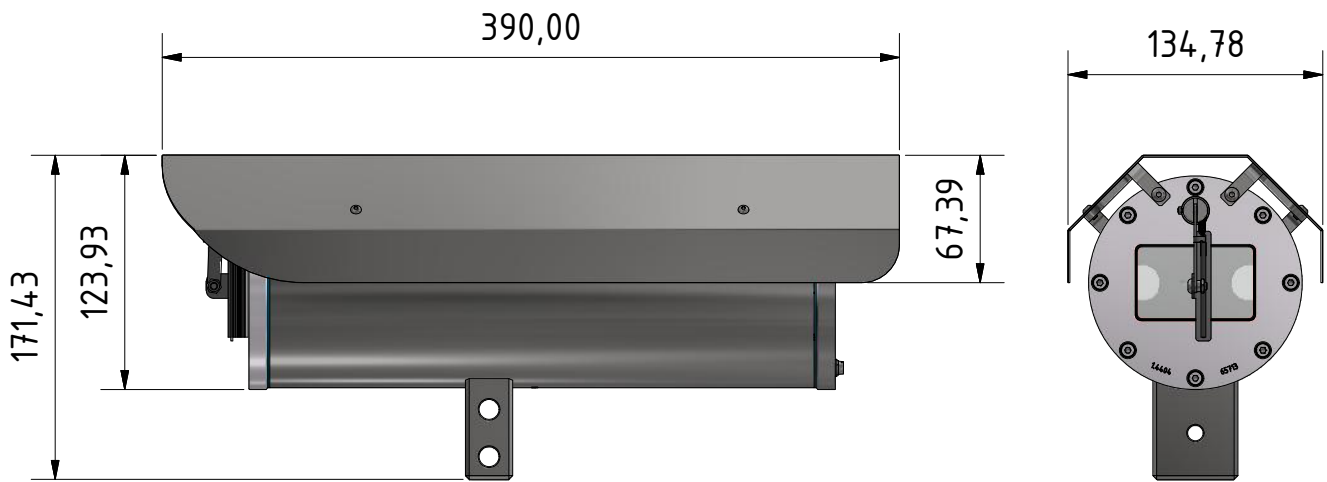
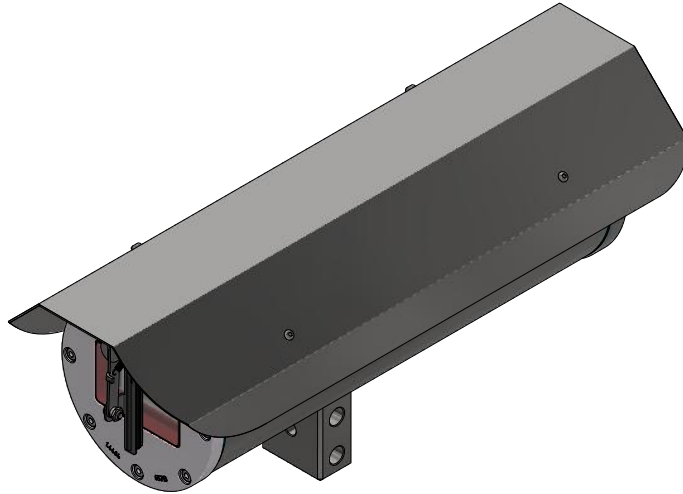
Table of content			
obj.	qty.	part	material
1	1	WPR EXCAM XF	stainless steel
2	4	Threaded bolt ISO 7380-1 - M4 x 8	stainless steel

1



fastening: 3,0Nm

2



Note:
For more information see
other assembly instructions!



SAMCON

Prozessleittechnik GmbH

