

# Weathershield WPR-VA2.1

## Datasheet.

### Features.

#### Compatible

with all cameras of the ExCam Series with the model keys T08-VA2.1.

### Data.

#### Mechanical Characteristics

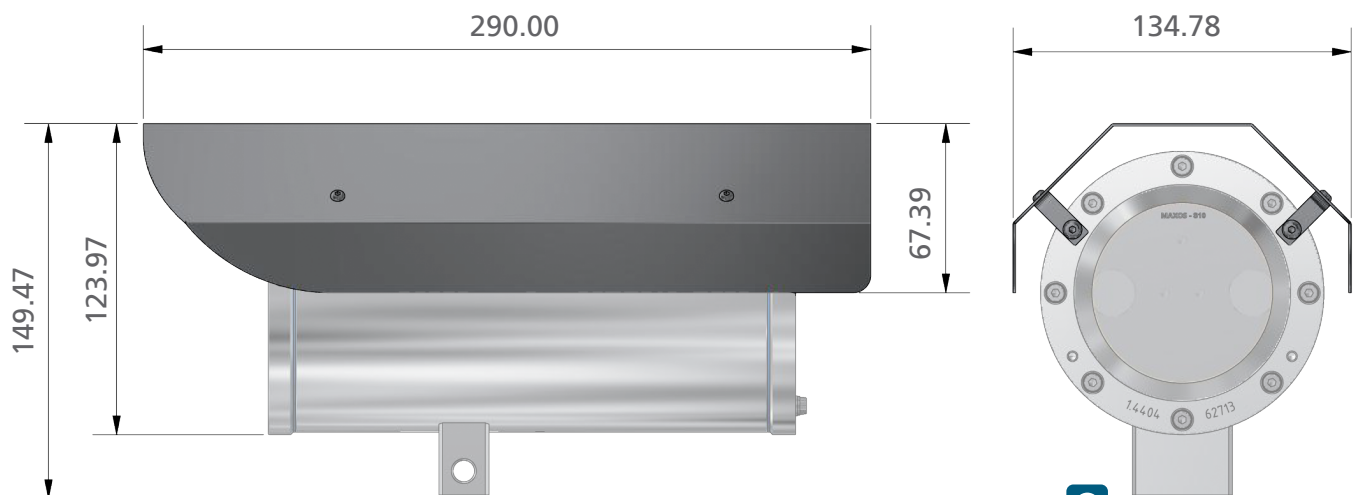
Material: Stainless steel AISI 316L/1.4404  
Weight: 0.5 kg  
Dimensions: WxHxD 134.78x67.39x134.78

#### Scope of Delivery

includes  
-2 attachments  
-screws  
-assembly instruction



### Dimensions [mm].



\* = Illustration shows weathershield mounted on a camera Camera not included.



Schillerstrasse 17  
D-35102 Lohra-Altenvers

info@samcon.eu  
T: +49 6426 9231-0  
F: +49 6426 9231-31