

Weathershield WPR-VA2.3

Datasheet.

Features.

Compatible

with all cameras of the ExCam Series with the model-key T08-VA2.3.

Data.

Mechanical Characteristics

Material: Stainless steel AISI 316L/1.4404

Weight: 0,86 kg

Dimensions: WxHxD 135x67,5x390

Scope of Delivery

Weather Protection Roof inclusive

-2 holders

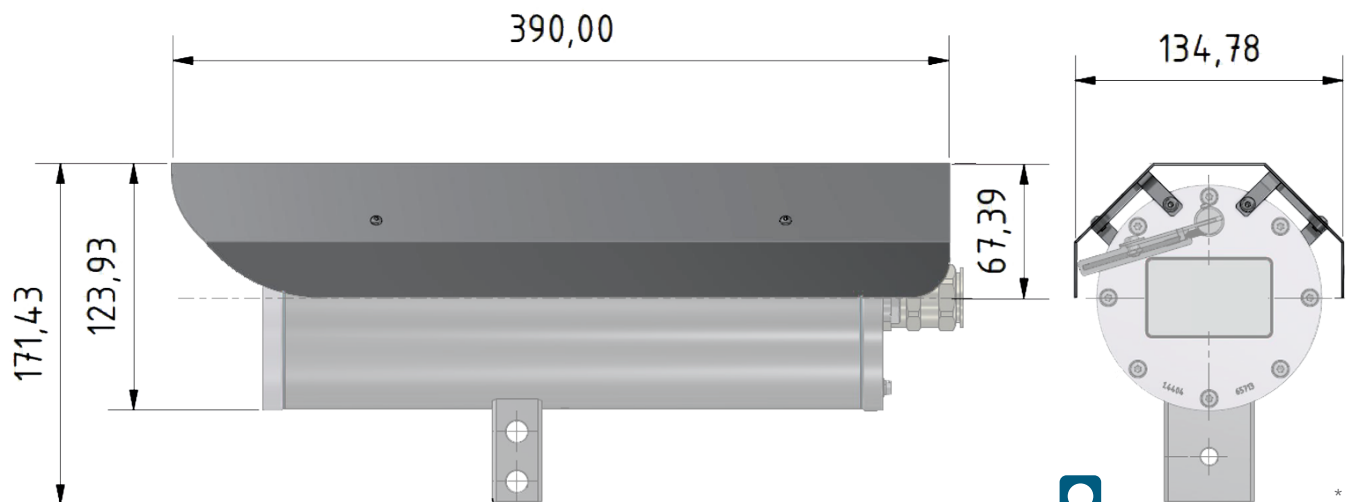
-4 screws M3x6

-4 screws M4x8

-Assembly instruction



Dimensions [mm].



Schillerstrasse 17
D-35102 Lohra-Altenvers

info@samcon.eu
T: +49 6426 9231-0
F: +49 6426 9231-31

* Illustrations show models with accessories that are subjected to an extra charge.

© SAMCON GmbH All rights and technical changes reserved. No liability for wrong or missing data.