

# smart.Cleaner



## Datasheet.

### Features.

- ✓ Worlds first Ex-Wash Unit with Network Interface
- ✓ Certification for Hazardous Areas (ATEX & IECEx)
- ✓ Compatible with all SAMCON ExCam Cameras
- ✓ Compatible with ExConnection Rails with 24 VDC output
- ✓ Controllable via Browser or VMS (VAPIX)
- ✓ Plug & Play Process Connection
- ✓ Washing Water Supply for up to 4 Cameras (On-Site Water or stand alone Pressure Tanks)

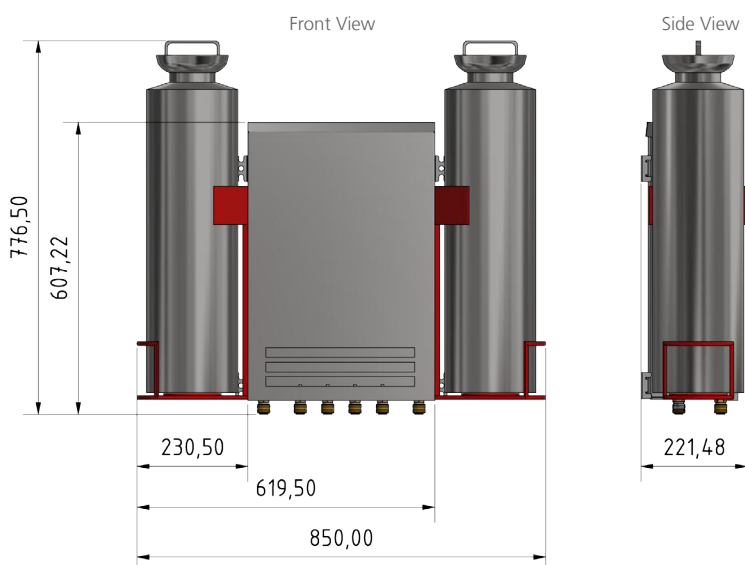


### Zones.

Group II (Gas & Dust)	ATEX / IECEx				
Zone	0	1	2	21	22
For use in	✗	✓	✓	✓	✓

More certificates on request

### Dimensions [mm].



### Models.

T05- 4- XXX - XDR-X.N-005.A - X

- ↓ P = Plug termination
- ↓ T = Terminal box termination
- ↓ A = Armoured cable
- = Cable length in meter (005 is standard)
- ↓ N = No low temp. valves (-10°C)
- ↓ LL = Valves for low temp. (-30°C)
- ↓ ODR = no watertanks
- ↓ 2DR = 2 watertanks
- ↓ 24 = Power supply 24 VDC
- ↓ 230 = Power supply 230 VAC
- ↓ 4 = 4 x water output for cameras

T05 = Typ No. 05, Connection Rail

## Data.

# smart.Cleaner



### Explosion protection

Declaration of conformity:

DIN EN/IEC ... 60079-0, DIN EN/IEC ... 60079-1,  
DIN EN/IEC ... 60079-18, DIN EN/IEC ... 60079-31  
TUEV-10-ATEX-7969X, IECEx-TUR-16.0025X,  
EPS 18 ATEX 1 232 X,  
IECEx EPS 18.0110X



Ex- Certificates Ex-d housing:  
Ex- Certificates valve:

Ex- Marking:  
Explosion protection (gas):  
Explosion protection (dust):

II 2G Ex IIC T4 Gb Internal protection system: [db mb]  
 II 2D Ex IIIC T130°C Db Internal protection system: [tb mb]



### Housing material

Protection level (valve/ExCR):  
Weight:

Stainless Steel (AISI 304L/1.4301)  
IP65/66 (IEC 60529)  
32 kg (without tank)  
37 kg (with tanks)  
57 kg (with filled tanks)



Max. tubing length:  
Max. head of water:

$l_{max} = 50 \text{ m}$   
 $h_{max} = 20 \text{ m (@ 3.5 bar)}$



### Range of temperature

T05-4-XXX-XDR-N.N-005.A-X:  
T05-4-XXX-XDR-LL.N-005.A-X:

-10°C bis +45°C  
-30°C bis +45°C



### Elektrical characteristics

Power supply:

24 VDC (max. 100W, typ. 37W) or 230 VAC (max. 100W, typ. 45W)

### Connection cable type

Outside diameter:

WWW.SAMCON.EU ... Cat.6 / 4x2xAWG23/1 ...  
9 mm - 17 mm



### I/O Module interface

Digital I/O:

4 configurable I/O ports



### Valve

Pressure min/max:  
Fluid temperature range:

3.5 bar ( $\approx 50 \text{ psi} \approx 350 \text{ kPa}$ ) (fluid)  
-30°C to +80°C (depends on freezing temperature\*\*)

### Tanks

Pressure max:  
Volume:  
Connection:

3.5 bar (air)  
10 liters each tank  
Coupling socket NW7.2



### Network

Security:

Password protection, IP address filtering, HTTPSa encryption,  
IEEE 802.1Xa network access control, digest authentication, user  
access log

Supported protocols:

IPv4/v6, HTTP, HTTPSa, SSL/TLSa, QoS Layer 3 DiffServ, FTP, SFTP,  
SMTP, Bonjour, UPnP, SNMP v1/v2c/v3 (MIB-II), DNS, DynDNS,  
NTP, RTSP, RTP, TCP, UDP, IGMP, RTCP, ICMP, DHCP, ARP, SOCKS

### System integration

Application Programming Interface:

Open API for software integration, including VAPIX@;  
specifications at [www.axis.com](http://www.axis.com)

System requirements:

AXISMediaControl(AMC) is required to access live video and audio in Live view

Event triggers:

Audio detection External inputs On boot

Event actions:

Notification: email, HTTP, TCP

External output port

Play audio clip

### Optional accessories

Cable- and Tube- Kits, ...



\* = Illustrations show models with two tanks

\*\* = Only use suitable antifreeze agents (see user manual)

© SAMCON GmbH All rights and technical changes reserved. No liability for wrong or missing data