



SAMCON

Prozessleittechnik GmbH

Assembly instruction

product: water.Blade-VA4.x.BOR1

author: S. Weber

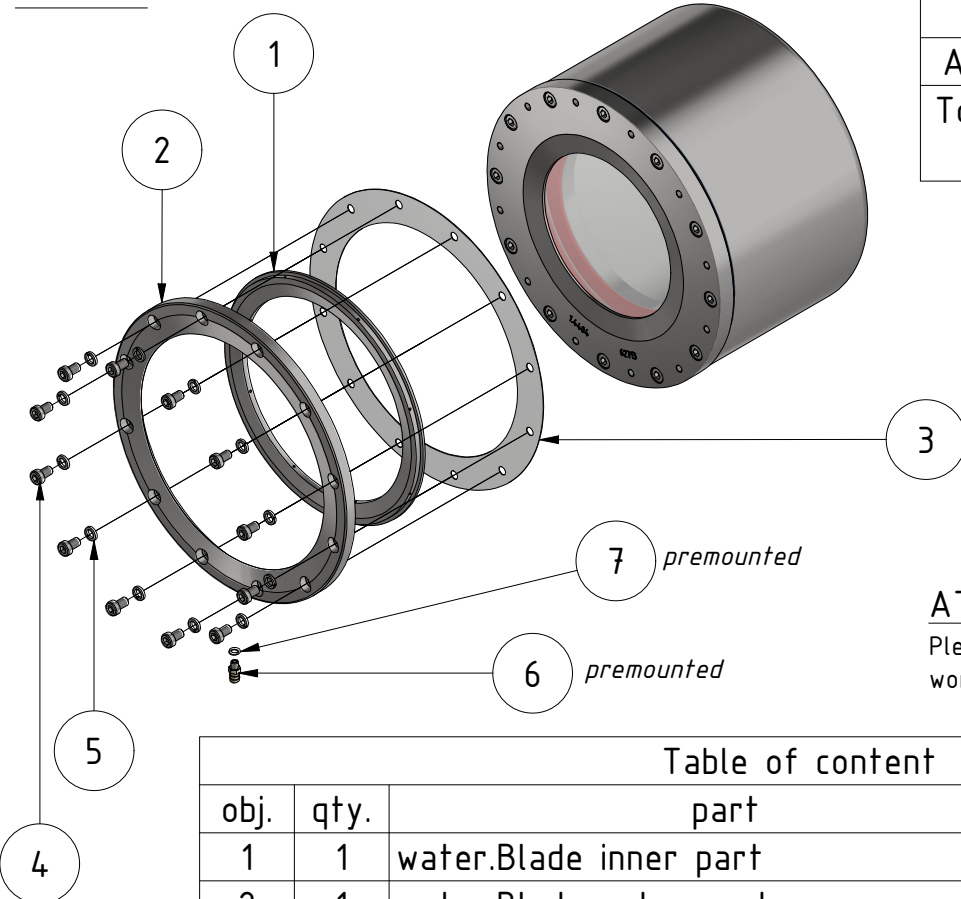
date: Jan 24, 2022

doc ID: 220124-PT95MA-SW-water.Blade-VA4.x.BOR1_assembly
instruction_rev.oo.idw

passing:



INTRO



What you need:	
Allen wrench	5,0 mm
Tourque-allen wrench	5,0 mm



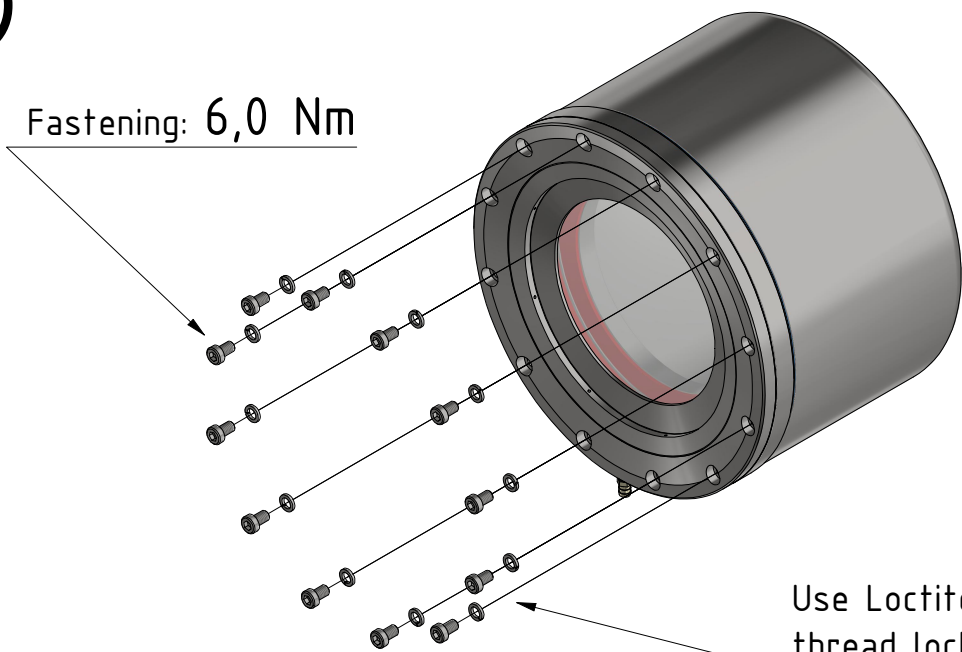
ATTENTION:
Please be careful when working at heights !



Table of content			
obj.	qty.	part	material
1	1	water.Blade inner part	Stainless steel
2	1	water.Blade outer part	Stainless steel
3	1	water.Blade sealing	PTFE
4	12	Threaded bolt DIN EN ISO 4762 M6 x 10	Stainless steel
5	12	Washer DIN 128 A6	Stainless steel
6	1	Hose tail (6 mm)	Nickel-plated brass
7	1	O-ring sealing	NBR-70

1

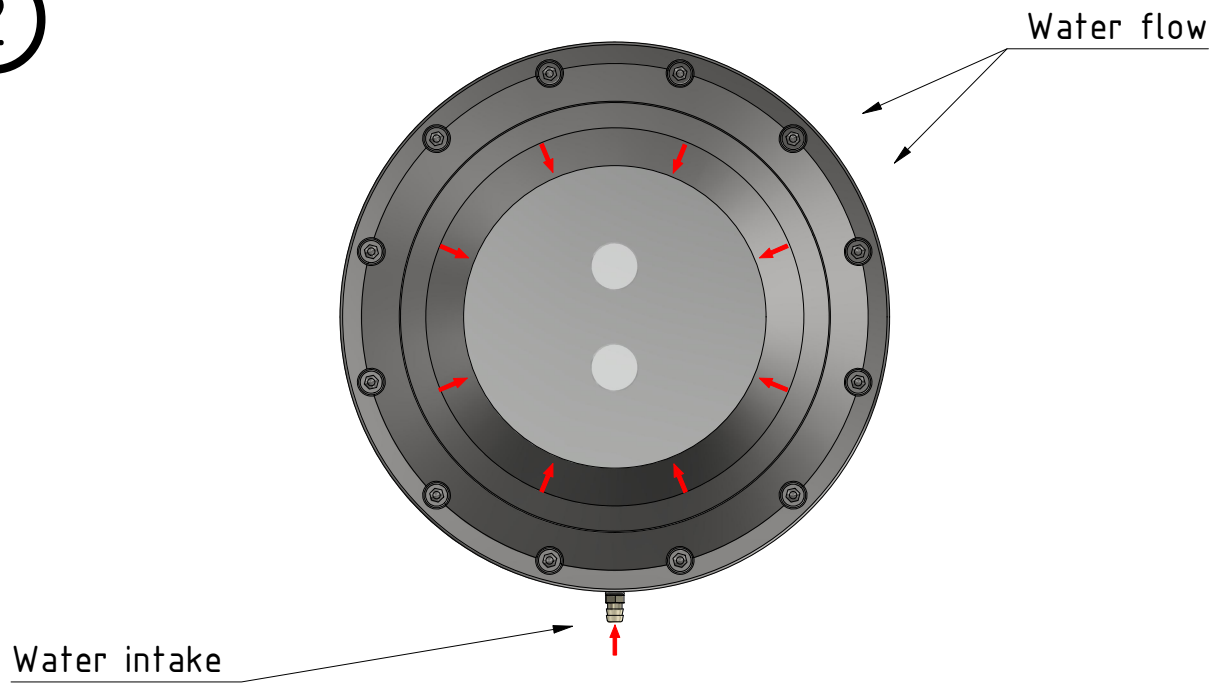
Fastening: 6,0 Nm



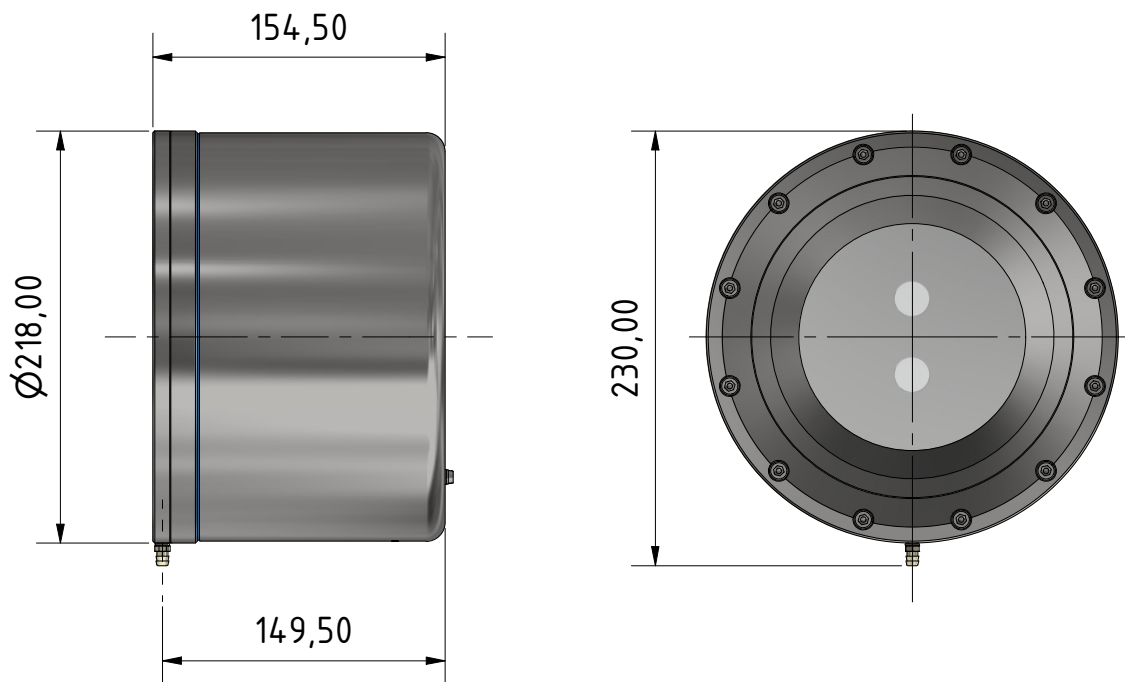
Use Loctite 243 thread lock !



2



Dimensions VA4.1K.BOR1:



Note:

For more information visit
www.samcon.eu !



SAMCON

Prozessleittechnik GmbH

